

Pool Breakdown

Cozumel 18'x33' Oval 54" NB1959

<p><u>FEATURES:</u> Round Size: 18x33q Depth: 54+ 35 Year Warranty</p>	<p><u>STRUCTURE COMPOSITION:</u> Resin Top Rail Resin Seat Covers Steel Uprights Steel Sidewall</p>
---	--

	Qty	Carton #	Carton Content Description
<input type="checkbox"/>	1	331854-10MV-EX-4	COZUMEL . 10+VERTICAL; VERTICAL EXTENSION; SHEET METAL SCREW; WARRANTY; SAFETY DECALS; PARTS LIST+FRAME INSTRUCTION; ROUND INSTRUCTION
<input type="checkbox"/>	1	3318-5/8RAIL-2	COZUMEL . 5/8+RAIL
<input type="checkbox"/>	1	331854-10R-EX-2 1/2	COZUMEL . 10+RADIUS TOP SEAT
<input type="checkbox"/>	1	331854-10R-EX-2 2/2	COZUMEL . 10+STRAIGHT TOP SEAT
<input type="checkbox"/>	1	3318-10P-EX-3	COZUMEL . SEAT COVER; SEAT COVER BRACKET; RESIN UPPER JOINT; RESIN LOWER JOINT; SHEET METAL SCREW; SEAT COVER CAP
<input type="checkbox"/>	1	331854-SNS-W/WALL 1	COZUMEL . PLASTIC EDGING; TRUSS HEAD SCREW; WALL SECTION 1
<input type="checkbox"/>	1	331854-SNS-W/WALL 2	COZUMEL . REINFORCING WASHER; NUT; WALL SECTION 2
<input type="checkbox"/>	1	3318-BL08-EX-A	HORIZONTAL SUPPORT; PRESSURE PLATE; BRACELESS OVAL FRAME BOLT PACKAGE; STRAP BOLT PACKAGE; BRACELESS OVAL POOL INSTRUCTIONS
<input type="checkbox"/>	1	331854-BL08-EX-B	SIDE VERTICAL; SIDE VERTICAL SKIN; END STRAP; MIDDLE STRAP

Carton Breakdown

Cozumel 18'x33' Oval 54"

NB1959

Key #	Qty	Item #	Mfg Part #	Part Description	
FRAME CARTON # 331854-10MV-EX-4					
<input type="checkbox"/>	1	12	NBP4000	2391	10in Vertical (52+High)
<input type="checkbox"/>	1	12	NBP4001	2392	Vertical Extension (54+High Onlu)
<input type="checkbox"/>	3	36	NBP1203	0341*	#12 x 3/4 Sheet Metal Screw (54+High Onlu)
<input type="checkbox"/>	---	1	-----	0022	Warranty
<input type="checkbox"/>	---	1	-----	0023	Safety Decals
<input type="checkbox"/>	---	1	-----	0024	Parts List + Frame Instruction
RAIL CARTON # 3318-5/8RAIL-2					
<input type="checkbox"/>	4	36	NBP1055	1618	5/8in Rail L=1431mm (56-3/8+)
FRAME CARTON # 331854-10R-EX-2 1/2					
<input type="checkbox"/>	6	10	NBP4002	1111	10in Resin Top Seat L=1444mm (56-7/8+)
FRAME CARTON # 331854-10R-EX-2 2/2					
<input type="checkbox"/>	6	8	NBP4004	1112	10in Straight Top Seat L=1444mm (56-7/8+)

*These part #s are not available to purchase separately. They must be purchased as the Seat Cover Assembly Bolt Package, Order # NBP1203

Carton Breakdown

Cozumel 18'x33' Oval 54"

NB1959

Key #	Qty	Item #	Mfg Part #	Part Description	
FRAME CARTON # 3318-10P-EX-3					
<input type="checkbox"/>	2	12	NBP4006	2192	10in Resin Joint - Upper
<input type="checkbox"/>	7	12	NBP4009	2492	10in Seat Cover Bracket
<input type="checkbox"/>	8	12	NBP4008	2491	10in Seat Cover
<input type="checkbox"/>	10	12	NBP4007	2292	10in Resin Joint - Lower
<input type="checkbox"/>	13	6	NBP4010	3496	10in Side Seat Cover
<input type="checkbox"/>	15	6	NBP1031	3233	5/8in Side Lower Rail Joint
<input type="checkbox"/>	18	6	NBP1004	3177	Resin Side Upper Joint
Seat Cover Assembly Bolt Package (Order # NBP1203)					
<input type="checkbox"/>	3	228	NBP1203	0341*	#12 Sheet Metal Screw
<input type="checkbox"/>	3	18	NBP1203	2402*	Resin Seat Cover Cap
WALL CARTON # 331854-SNS-W/WALL 1					
<input type="checkbox"/>	5	20	NL107	8100	Plastic Edging
<input type="checkbox"/>	9	1	PC5291	54+Wall	Steel Sunset Gray Wall Section 1
54" Wall Joint Bolt Package (Part # 0114 / Order # NBP1067)					
<input type="checkbox"/>	3	27	NBP1067	0513*	¼+x ½+Truss Head Screw
WALL CARTON # 331854-SNS-W/WALL 2					
<input type="checkbox"/>	9	1	PC5292	54+Wall	Steel Sunset Gray Wall Section 2
54" Wall Joint Bolt Package (Part # 0114 / Order # NBP1067)					
<input type="checkbox"/>	3	53	NBP1067	0411*	¼+Reinforcing Washer
<input type="checkbox"/>	3	27	NBP1067	0611*	¼+Nut

*These part #s are not available to purchase separately. They must be purchased as part of the corresponding Bolt Package.

Carton Breakdown

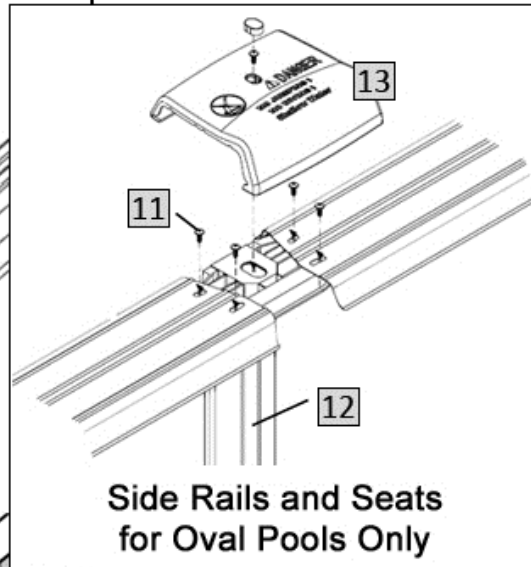
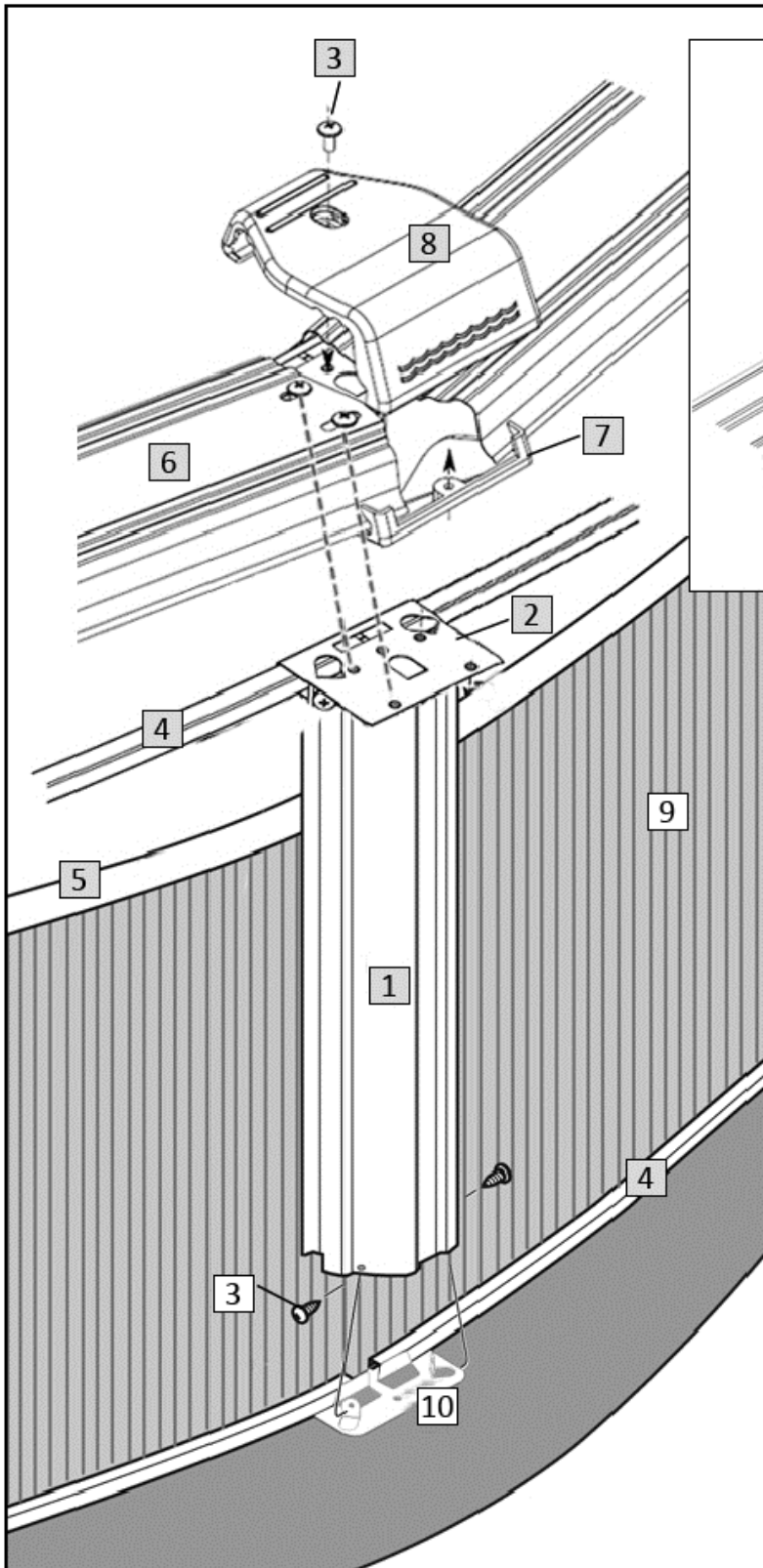
Cozumel 18'x33' Oval 54" NB1959

	Key #	Qty	Item #	Mfg Part #	Part Description
FRAME CARTON # 3318-BL08-EX-A					
<input type="checkbox"/>	14	6	NBP1208	5726	Horizontal Support
<input type="checkbox"/>	17	18	NBP1011	6254	Pressure Plate L=680mm (26-3/4")
<input type="checkbox"/>	---	1	-----	-----	Braceless Oval Pool Instructions
Braceless Oval Frame Bolt Package (Part # 0109 / Order # NBP1204) QTY 3					
<input type="checkbox"/>	11	10	NBP1204	0341*	#12 Sheet Metal Screw
<input type="checkbox"/>	11	24	NBP1204	5672*	M14 Nut
<input type="checkbox"/>	11	24	NBP1204	5673*	M14 x 30 Hex Head Bolt
<input type="checkbox"/>	11	8	NBP1204	5674*	M10 x 100 Hex Head Bolt
<input type="checkbox"/>	11	24	NBP1204	5675*	M10 Nut
Strap Bolt Package (Part # 0106 / Order # NBP1002) QTY 3					
<input type="checkbox"/>	11	27	NBP1002	0623*	M8 Nut
<input type="checkbox"/>	11	27	NBP1002	0923*	M8 x 20 Hex Head Bolt
FRAME CARTON # 331854-BL08-EX-B					
<input type="checkbox"/>	12	6	NBP1205	5713	Side Vertical for BLE 54+
<input type="checkbox"/>	12	6	NBP1206	5617	Side Vertical Skin for 54+
<input type="checkbox"/>	16	6	NBP1207	7528	End Strap L=1400mm (55-1/8")
<input type="checkbox"/>	16	6	NBP1015	7264	Middle Strap L=1405mm (55-3/8")

*These part #s are not available to purchase separately. They must be purchased as part of the corresponding Bolt Package.

Cozumel 18'x33' Oval 54"

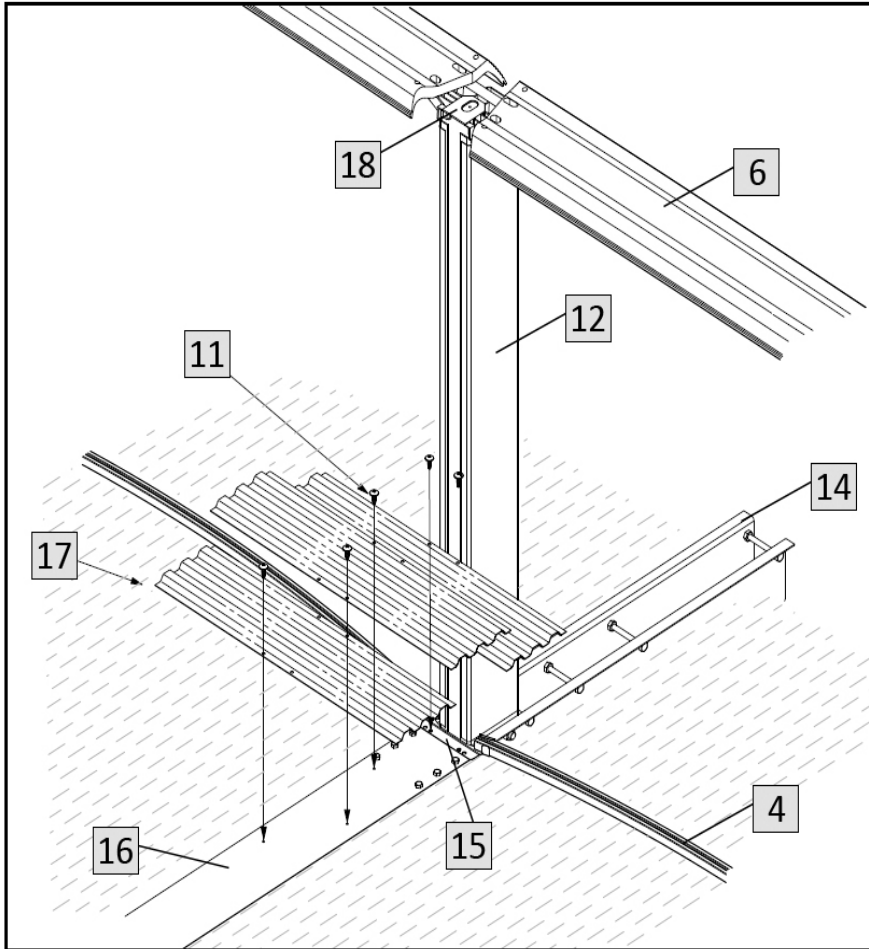
NB1959



Key #	Part Description	Item #
1	10in Vertical	NBP4000
1	Vertical Extension	NBP4001
2	10in Resin Upper Joint	NBP4006
3	Seat Cover Hardware	NBP1203
3	Wall Joint Hardware	NBP1067
4	5/8+Rail	NBP1055
5	Plastic Edging	NL107
6	10in Resin Top Seat	NBP4002
7	10in Seat Cover Brckt	NBP4009
8	10in Seat Cover	NBP4008
9	Wall Section 1	PC5291
9	Wall Section 2	PC5292
10	10in Resin Lower Joint	NBP4007
11	Braceless Oval Frame Bolt Hardware	NBP1204
12	10in Side Vertical	NBP1205
12	Side Vertical Skin	NBP1206
13	10in Side Seat Cover	NBP4010

Cozumel 18'x33' Oval 54''

NB1959



Key #	Part Description	Item #
4	5/8 in Rail	NBP1055
6	10in Resin Top Seat	NBP4002
6	10in Straight Top Seat	NBP4004
11	Braceless Oval Frame Bolt Hardware	NBP1204
11	Strap Bolt Hardware	NBP1002
12	10in Side Vertical	NBP1205
12	Side Vertical Skin	NBP1206
14	Horizontal Support	NBP1208
15	Side Lower Rail Joint	NBP1031
16	Middle Strap	NBP1015
16	End Strap	NBP1207
17	Pressure Plate	NBP1011
18	Resin Side Upper Joint	NBP1004