

# Pool Breakdown

## Cozumel 24' Round 54"

### NB1941

<p><b><u>FEATURES:</u></b>  Round  Size: 24q  Depth: 54+  35 Year Warranty</p>	<p><b><u>STRUCTURE COMPOSITION:</u></b>  Resin Top Rail  Resin Seat Covers  Steel Uprights  Steel Sidewall</p>
--	--

	Qty	Carton #	Carton Content Description
<input type="checkbox"/>	1	<b>2454-10MV-EX-4</b>	COZUMEL . 10+VERTICAL; VERTICAL EXTENSION; SHEET METAL SCREW; WARRANTY; SAFETY DECALS; PARTS LIST+FRAME INSTRUCTION; ROUND INSTRUCTION
<input type="checkbox"/>	1	<b>24-5/8RAIL-2</b>	COZUMEL . 5/8+RAIL
<input type="checkbox"/>	1	<b>2454-10R-EX-2</b>	COZUMEL . 10+TOP SEAT
<input type="checkbox"/>	1	<b>24-10P-EX-3</b>	COZUMEL . SEAT COVER; SEAT COVER BRACKET; RESIN UPPER JOINT; RESIN LOWER JOINT; SHEET METAL SCREW; SEAT COVER CAP
<input type="checkbox"/>	1	<b>2454-SNS-W/WALL</b>	COZUMEL . PLASTIC EDGING; TRUSS HEAD SCREW; REINFORCING WASHER; NUT; WALL

# Carton Breakdown

## Cozumel 24' Round 54"

### NB1941

	Key #	Qty	Item #	Mfg Part #	Part Description
<b>FRAME CARTON # 2454-10MV-EX-4</b>					
<input type="checkbox"/>	1	16	NBP4000	2391	10in Vertical (52+High)
<input type="checkbox"/>	1	16	NBP4001	2392	Vertical Extension (54+High Onlu)
<input type="checkbox"/>	3	48	NBP1203	0341*	#12 x 3/4 Sheet Metal Screw (54+High Onlu)
<input type="checkbox"/>	---	1	-----	0022	Warranty
<input type="checkbox"/>	---	1	-----	0023	Safety Decals
<input type="checkbox"/>	---	1	-----	0024	Parts List + Frame Instruction
<input type="checkbox"/>	---	1	-----	0001	Round Instructions
<b>RAIL CARTON # 24-5/8RAIL-2</b>					
<input type="checkbox"/>	4	32	NBP1057	1624	5/8in Rail L=1431mm (56-3/8+)
<b>FRAME CARTON # 2454-10R-EX-2</b>					
<input type="checkbox"/>	6	16	NBP4002	1111	10in Resin Top Seat L=1444mm (56-7/8+)
<b>FRAME CARTON # 24-10P-EX-3</b>					
<input type="checkbox"/>	2	16	NBP4006	2192	10in Resin Joint - Upper
<input type="checkbox"/>	7	16	NBP4009	2492	10in Seat Cover Bracket
<input type="checkbox"/>	8	16	NBP4008	2491	10in Seat Cover
<input type="checkbox"/>	10	16	NBP4007	2292	10in Resin Joint - Lower
<b>Seat Cover Assembly Bolt Package (Order # NBP1203)</b>					
<input type="checkbox"/>	3	240	NBP1203	0341*	#12 Sheet Metal Screw
<input type="checkbox"/>	3	16	NBP1203	2402*	Resin Seat Cover Cap

\*These part #s are not available to purchase separately. They must be purchased as the Seat Cover Assembly Bolt Package, Order # NBP1203

# Carton Breakdown

## Cozumel 24' Round 54"

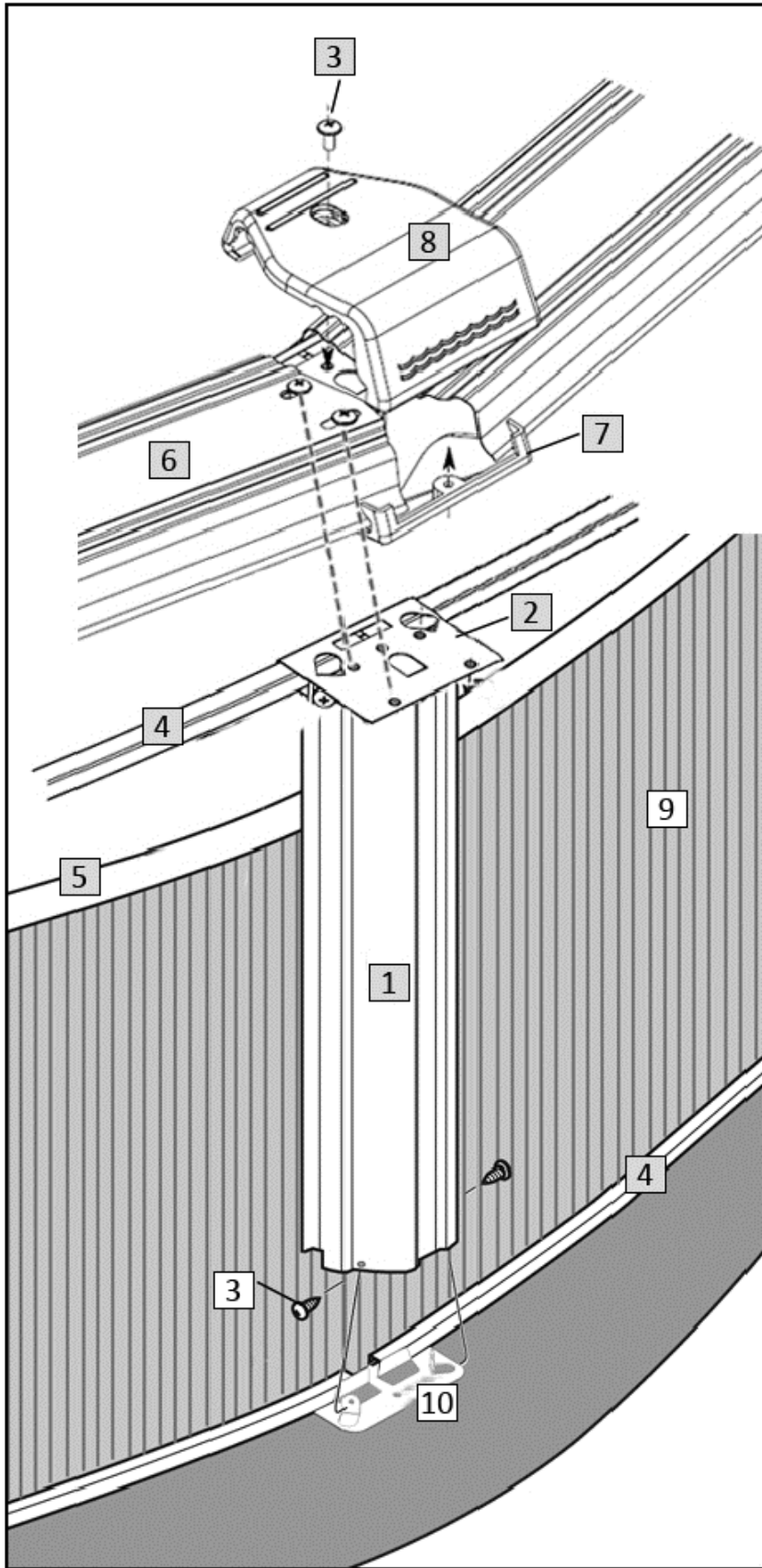
### NB1941

Key #	Qty	Item #	Mfg Part #	Part Description	
<b>WALL CARTON # 2454-SNS-W/WALL</b>					
<input type="checkbox"/>	5	18	NL107	8100	Plastic Edging
<input type="checkbox"/>	9	1	PC5270	54+Wall	Steel Sunset Gray Wall
<b>54" Wall Joint Bolt Package (Part # 0114, Order # NBP1067)</b>					
<input type="checkbox"/>	3	27	NBP1067	0513*	¼+x ½+Truss Head Screw
<input type="checkbox"/>	3	53	NBP1067	0411*	¼+Reinforcing Washer
<input type="checkbox"/>	3	27	NBP1067	0611*	¼+Nut

\*These part #s are not available to purchase separately. They must be purchased as the Wall Joint Bolt Package, Order # NBP1067

# Cozumel 24' Round 54"

NB1941



Key #	Part Description	Item #
1	10in Vertical	NBP4000
2	Resin Upper Joint	NBP4006
3	Seat Cover Hardware	NBP1203
3	Wall Joint Hardware	NBP1067
4	5/8+Rail	NBP1057
5	Plastic Edging	NL107
6	10in Top Seat	NBP4002
7	10in Seat Cover Bracket	NBP4009
8	10in Seat Cover	NBP4008
9	Wall	PC5270
10	Resin Lower Joint	NBP4007