

**Pool Breakdown**  
**Fijian 24' Round 52"**  
**NB1614**

<p><b><u>FEATURES:</u></b>  Round  Size: 24'  Depth: 52"  25 Year Warranty</p>	<p><b><u>STRUCTURE COMPOSITION:</u></b>  Rugged Steel Frame  Polymer Seat Caps  Protective Wall Coatings</p>
--	--

	Qty	Carton #	Carton Content Description
<input type="checkbox"/>	1	<b>2452-7HN-CX-2</b>	FIJIAN – 7 INCH TOP SEAT, 7 INCH VERTICAL, INSTRUCTIONS, PAPERWORK
<input type="checkbox"/>	1	<b>24-7P-CX-3</b>	FIJIAN – 7 INCH JOINT, 7 INCH SEAT COVER, 7 INCH SEAT COVER BRACKET, SEAT COVER ASSEMBLY BOLT PACKAGE
<input type="checkbox"/>	1	<b>24-5/8 RAIL-2</b>	FIJIAN – 5/8 INCH RAIL
<input type="checkbox"/>	1	<b>2452-SPT-W/WALL</b>	FIJIAN – WALL (SPORTSTER TAUPE), PLASTIC EDGING, 52" WALL JOINT PACKAGE

# Carton Breakdown

## Fijian 24' Round 52"

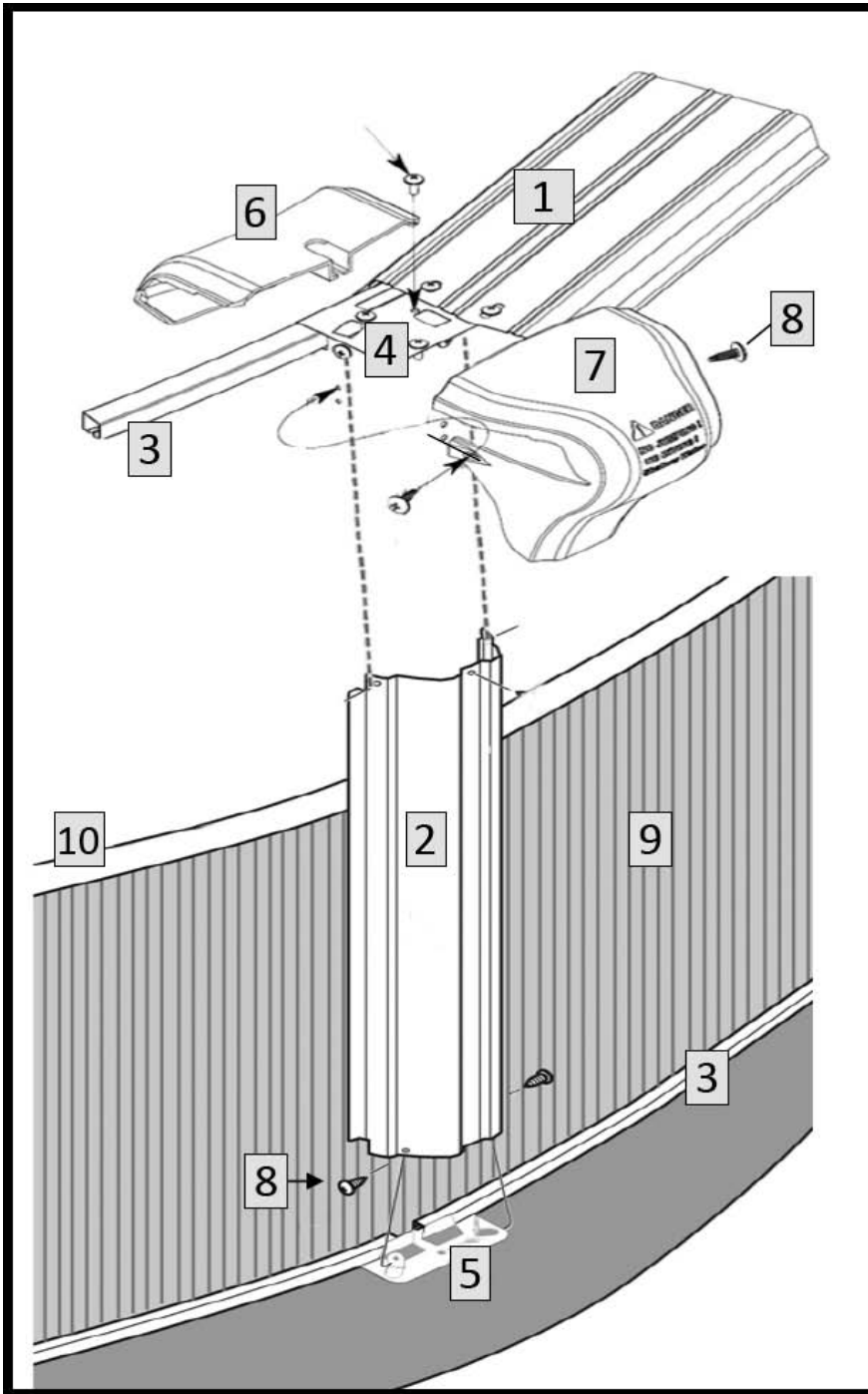
### NB1614

	Key #	Qty	Part #	Order #	Part Description
<b>FRAME CARTON # 2452-7HN-CX-2</b>					
<input type="checkbox"/>	1	16	1174CX	NBP1050	7in Top Seat L=1444 (56-7/8") 15ft
<input type="checkbox"/>	2	16	2374	NBP1100	7in Vertical (52" High)
<input type="checkbox"/>	---	1	0022	-----	Warranty
<input type="checkbox"/>	---	1	0023	-----	Safety Decals
<input type="checkbox"/>	---	1	0024	-----	Parts List + Frame Instruction
<input type="checkbox"/>	---	1	0025	-----	Safety Booklet
<input type="checkbox"/>	---	1	0001	-----	Round Instruction Manual
<b>FRAME CARTON # 24-5/8 RAIL-2</b>					
<input type="checkbox"/>	3	32	1624	NBP1057	5/8in Rail L=1431mm (56-3/8")
<b>FRAME CARTON # 24-7P-CX-3</b>					
<input type="checkbox"/>	4	16	2176	NBP1102	7in Resin Joint - Upper
<input type="checkbox"/>	5	16	2276	NBP1101	7in Resin Joint - Lower
<input type="checkbox"/>	6	16	2475CX	NBP1038	7in Seat Cover - Inside
<input type="checkbox"/>	7	16	2476CX	NBP1063	7in Seat Cover - Outside
<input type="checkbox"/>	8	1	0341	NBP1111	SEAT COVER ASSEMBLY BOLT PACKAGE #12 Sheet Metal Screw (192)
<b>WALL CARTON # 2452-SPT-W</b>					
<input type="checkbox"/>	9	1	52" Wall	-----	Sportster Taupe Wall
<input type="checkbox"/>	10	18	8100	-----	Plastic Edging
<input type="checkbox"/>	---	1	<b>0113</b>	<b>NBP1021</b>	<b>52" WALL JOINT BOLT PACKAGE</b>
			*0513	-----	1/4" x 1/2" Truss Head Screw (26)
			*0411	-----	1/4" Reinforcing Washer (51)
			*0611	-----	1/4" Nut (26)

\*These part #'s are not available to purchase separately. They must be purchased as part of the corresponding package.

# Fijian 24' Round 52"

NB1614



Key #	Part Description
1	Top Seat
2	7in Vertical
3	5/8in Rail
4	7in Resin Joint – upper
5	7in Resin Joint – lower
6	7in Seat Cover - inside
7	7in Seat Cover- outside
8	Assembly Hardware
9	Wall
10	Plastic Edging