



Resin Above Ground Pool Assembly & Installation

PATENT # 6,272,696

MATRIX ROUND POOL INSTRUCTIONS

WARNING:

**THIS POOL IS NOT DESIGNED FOR DIVING OR JUMPING.
DANGEROUS INJURY CAN RESULT-SHALLOW WATER!!!**

Your pool is designed for years of pleasurable, safe family fun. But, when used incorrectly, a swimming pool can be dangerous. To insure your pool is used safely you **must** observe the following safety precautions:

- Do not dive!-Do not jump!- No rough play!- No running or pushing!
- Do not walk on the top rail. It can be slippery and is not a walkway.
- Be sure to install all safety labels provided with your pool according to the instructions.
- Keep a safety rope 1/4" by 50' with a flotation buoy with an outside diameter of 15". Have accessible in a prominent area by your pool.
- Post near all entrances to pool area; a list of telephone numbers of the:
 - Nearest available police
 - Nearest available fire department
 - Nearest available rescue unit
 - 911 emergency number if available
 - Nearest ambulance service
 - Nearest available hospital
 - Nearest available physician
- Provide fencing or enclosure which is independent of the house as a closure around the entire pool area. The fencing must be made of durable material, a minimum of 4' in height from ground level and with closures with self-latching locks, to make pool inaccessible to toddlers and uninvited guests. Make sure

- gate is always closed. Be sure to follow local building code requirements for load capacity and fencing if using an aftermarket or homebuilt deck.
- Check with your local town for any special laws in your locale.
- Never drink alcoholic beverages or use any intoxicants which could hinder your judgment and reflexes.
- Never use pool alone. All children must be supervised continuously.
- Do not use pool if bottom is not clearly visible: At night, sufficient lighting must be available. It is the pool owners sole responsibility to provide adequate lighting for pool bottom, safety signs and walkways, which exceeds minimum standards of the IES of North America.
- Do not climb, stand or sit on any pool structure or the filter system. Components such as the filtration system, pumps and heater must be positioned so as to prevent their being used as a means of access to the pool by young children.
- Be sure that all toys, chairs and tables or similar objects that a young child could climb on be at least four feet (4') from pool.
- Do not use pool during electrical or rain storms.
- See available National Spa and Pool Institute (NSPI), publications for more tips on pool safety.

IMPORTANT NOTICE! READ BEFORE INSTALLATION

ENCLOSED IN FRAME CARTON IS SAFETY ENVELOPE. THE SAFETY STICKERS MUST BE INSTALLED AS PER FOLLOWING INSTRUCTIONS. FAILURE TO PROPERLY INSTALL WARNING LABELS WILL VOID WARRANTY. FAILURE TO MOUNT THESE SAFETY LABELS MAY SUBJECT YOU TO SUBSTANTIAL LIABILITY IN CASE OF INJURY.



SIGN MUST BE PLACED ON WALL NEXT TO ENTRY TO POOL

WARNING:

**THIS POOL IS NOT
DESIGNED FOR DIVING
OR JUMPING.
DANGEROUS INJURY
CAN RESULT!
—
SHALLOW WATER!!!**

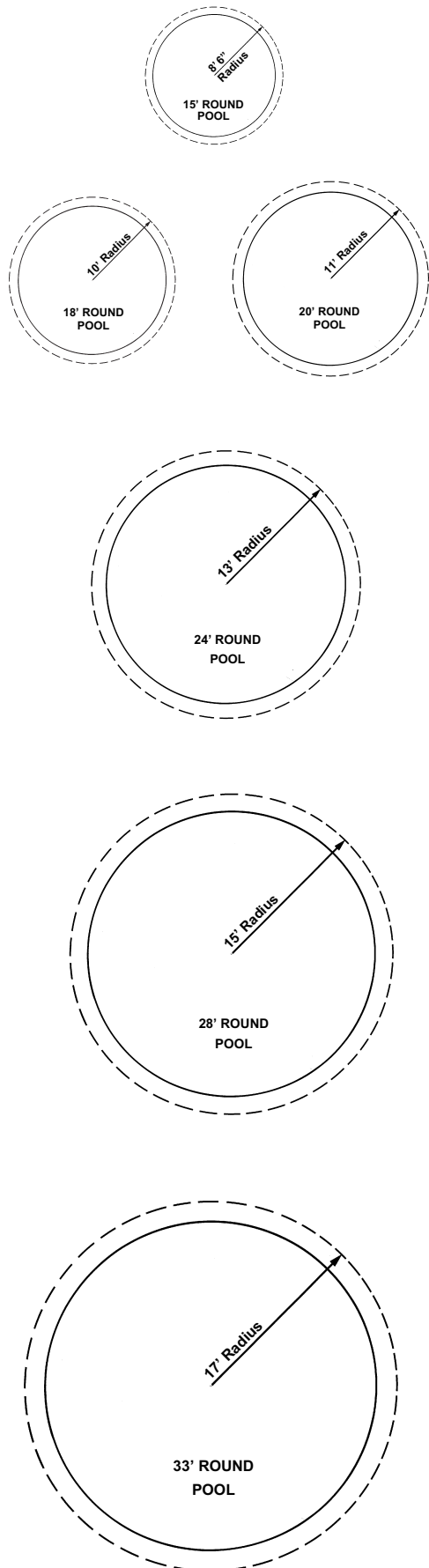
THESE WARNINGS ARE NOT TO BE REMOVED UNDER ANY CIRCUMSTANCES! IF THEY BECOME DISCOLORED OR FALL OFF, PLEASE REQUEST REPLACEMENTS WHICH WILL BE SENT AT NO CHARGE.



SIGN TO BE PLACED ON LINER ABOVE WATER LINE OPPOSITE ENTRY TO POOL

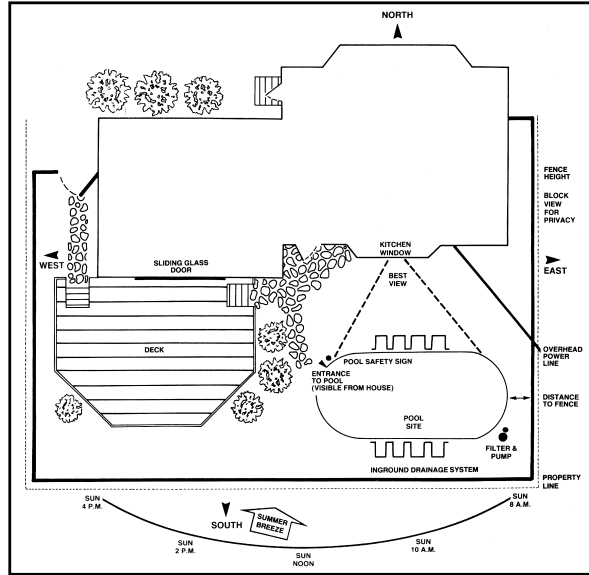
ROUND POOL INSTALLATION INSTRUCTIONS

POOL AREA DIMENSIONS (POOL RADIUS PLUS ONE FOOT)



STEP 1: POOL LOCATION

Do not locate pool over underground lines, septic tanks, or under electrical lines. It is essential that the area selected for your pool has a level and firm base. Do not assemble your pool on asphalt, tar or oil base surfaces. Avoid areas with sharp objects, or ground treated with weed killer or other chemicals. Also avoid areas where nut grass, Bermuda grass or bamboo grass grows, as they can grow through your liner. Grass must be removed. Do not place components such as filters, pumps, and heaters in a way that they can be used as a means of access to pool by young children. Be sure to follow all local building codes and obtain all building permits required for your area.

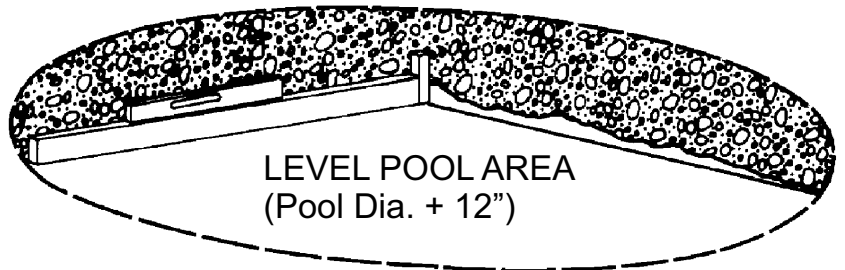


- *BE SURE TO AVOID:**
- All electrical wires
 - All gas lines
 - Septic tanks
 - Cesspools
 - Dry wells
 - Tree roots/stumps
 - buried debris(trees, building material, etc.)
 - sudden slopes within 6' of pool area

STEP 2: TO PREPARE THE POOL SITE

Determine the pool circumference by putting a stake in the ground at the center of the location desired, and with a line equal in length to the radius of the pool area (1/2 the pool size plus 12"), mark off the circumference with a sharp object, lawn edger or white powder.

After all of the sod has been removed, you must make the pool area absolutely level as measured by a level or a transit, not simply to the naked eye. Find the lowest spot within the pool area and level the ground to that lowest spot. Do not add dirt to the low areas. It is the high areas that must be dug away. The footing (perimeter) of the pool must be a solid foundation to prevent the pool from settling into dirt that is loosened by rain and water splashing over the side. Once again, clean the area of all sharp objects, including roots that later effect your swimming pool. For leveling, we recommend that you use a long straight edge board and a carpenters level or transit.



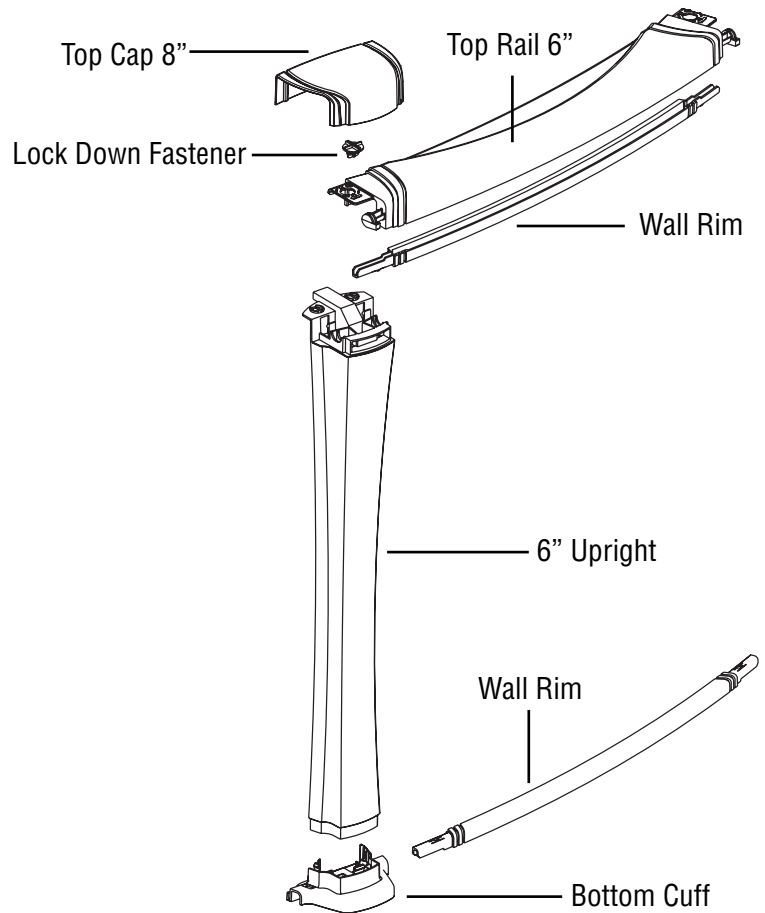
Remove soil and grass to this level.



Remove grass only.

MATRIX PARTS BREAKDOWN

Once you have completed the ground preparation, you should open all cartons to the pool and become familiar with all of its components. You should also refer to the breakdown sheet that is packed with your pool and make sure that you have the correct number of each component necessary to complete your pool. If you are missing any parts, or you have received any damage parts, you should notify the dealer where you purchased the pool before beginning the assembly.



STEP 3: BOTTOM RING ASSEMBLY

Take half of the wall rims and place them in a circle along the circumference of the pool area. Assemble the wall rims by using the bottom cuffs to join them together as shown in the diagram. Do not be alarmed that the pieces do not lock together tightly, there is some room for adjustments should you need it while installing the wall in steps five and six. Check the roundness of your circle by measuring the diameter across in several locations. **DO NOT SKIP THIS STEP!** Otherwise, you might end up with an oval shape, which will cause problems later on. Once you have established a true circle, stake the wall rims at every other rim with a screwdriver or small stake (as shown in diagram B), to ensure that it stays in place during the remainder of the installation.

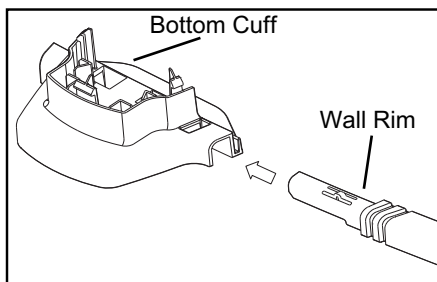
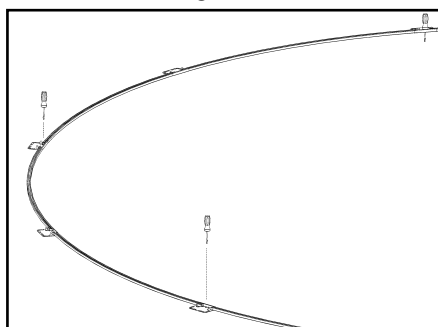
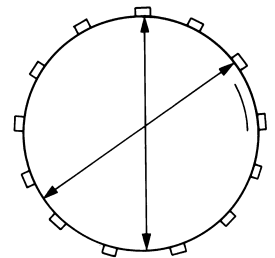


Diagram A

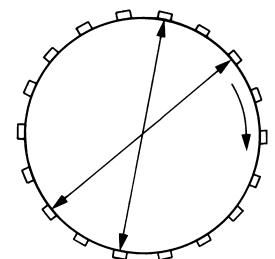
* Adjust rims in or out as necessary to form a true circle.



FOR 15', 18', 20', & 28' POOLS: Measure from bottom cuff to center of opposite bottom cuff at every other bottom cuff. When true, stake into position.

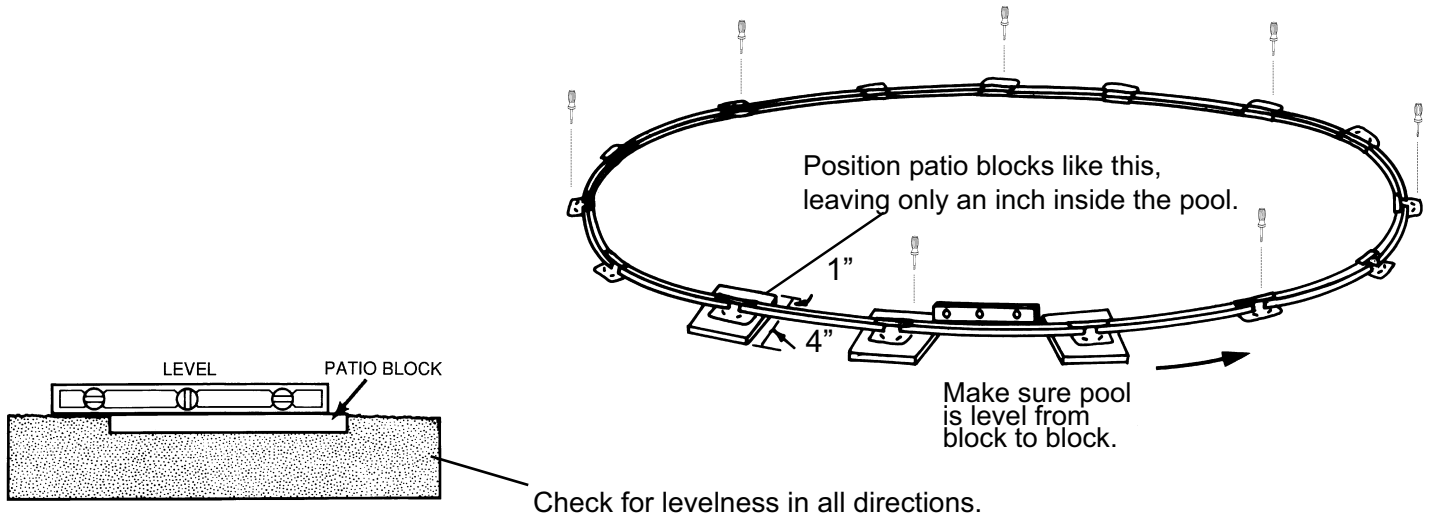


FOR 24' & 33' POOLS: Measure from bottom cuff to opposite bottom cuff at every other plate. When true, stake into position.



STEP 4: PATIO BLOCK INSTALLATION

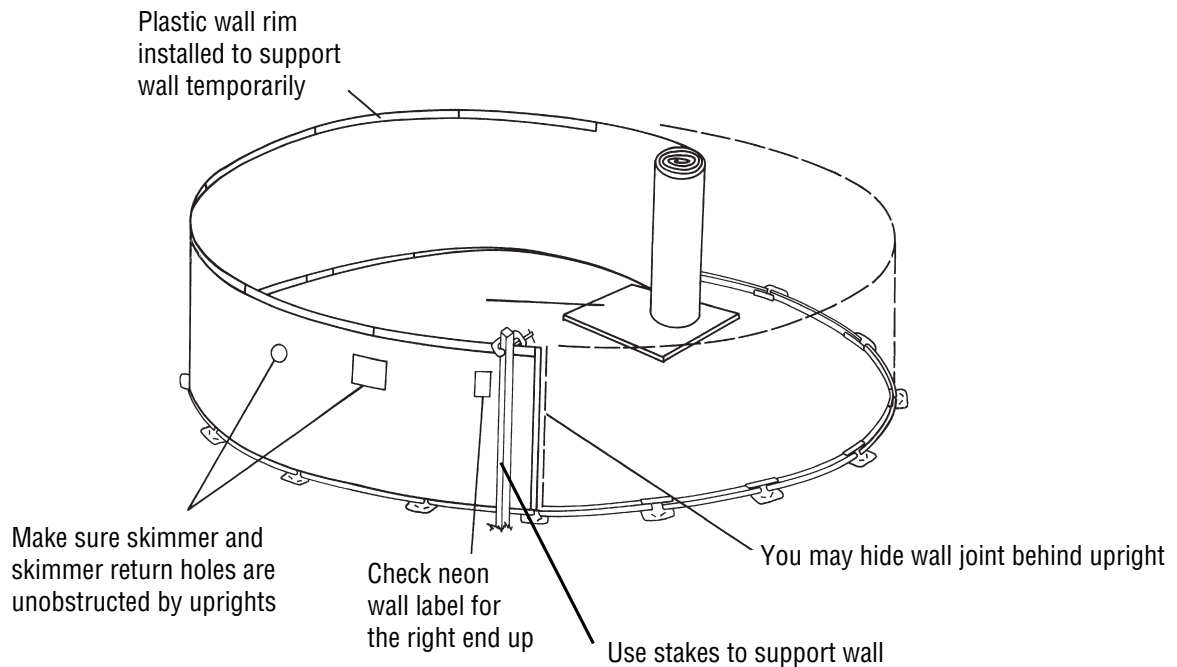
Once the frame is in position, begin centering bottom plates on 2"x8"x16" patio blocks. Sink patio block into ground under bottom cuff, making sure that the block is level in all directions (side to side as well as front to back). Repeat this step around the frame making the tops of all blocks level with the ground. Do not install blocks or rims on loose sifted soil or sand. There must be no space between the ground and the bottom of the rims. All patio blocks must be flush with the ground, solid and level with each other in all directions. You may remove a wall rim at this time to cart in sand or sifted soil for the cove (step 9) as long as your pool ring remains staked in position. Make sure you replace the wall rim in its proper position.



STEP 5: WALL INSTALLATION

In this step, you will use the wall carton as a base to unravel the pool wall. Locate the area that you wish to put the skimmer and return so that you can start the wall behind the appropriate upright. Unravel the wall a little at a time, inserting into the wall rims as you go. Do not unravel the entire wall at once, this makes installation much more difficult. As you unravel the wall you will need something to hold it up. We recommend placing landscaping stakes around the outside of the pool and clipping the wall to the stakes as you go. If you cannot get landscaping stakes the other option is to temporarily install wall rims on top and uprights to keep the wall in place. (step 13)

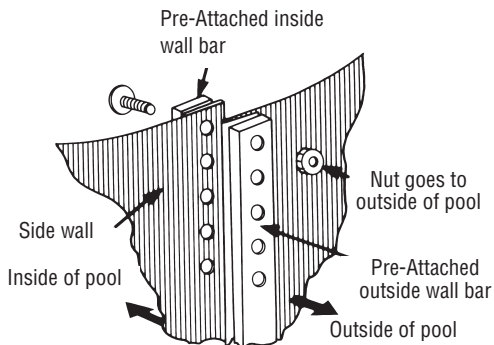
If the side wall seems too long or too short, make the bottom ring larger or smaller by equally sliding the wall rims in or out of the bottom cuffs. If the ground is uneven, the wall may jump out of the bottom track. Correct this condition by rechecking the level.



STEP 6: WALL JOINT ASSEMBLY

IMPORTANT- This operation must be done carefully! When joining the sidewall, make sure that the aluminum strips do not touch each other. One bar must be inside the pool (the bolts will touch this bar) and one bar must be outside the pool (the nuts will touch this bar). Insert the bolts with the bolt head to the inside and the nuts to the outside of the pool. Do not tighten until all bolts have been inserted. If your screwdriver slips and scratches the head of the bolt, file the scratch smooth so that it cannot puncture the liner. Cover the heads of the bolts, on the inside of the wall, with three layers of duct tape. If the insertion of the wall in the bottom rail is tight at the point where the wall is joined together, insert a screwdriver and twist to make enough room, again being sure not to scratch the wall or the wall rim. (*Sharkline has several wall closure systems, please follow the diagram that matches your pool*).

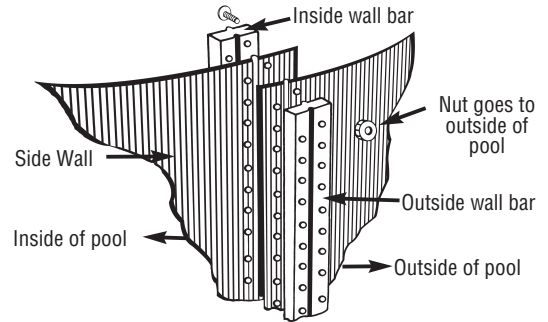
Type #1 Single Row



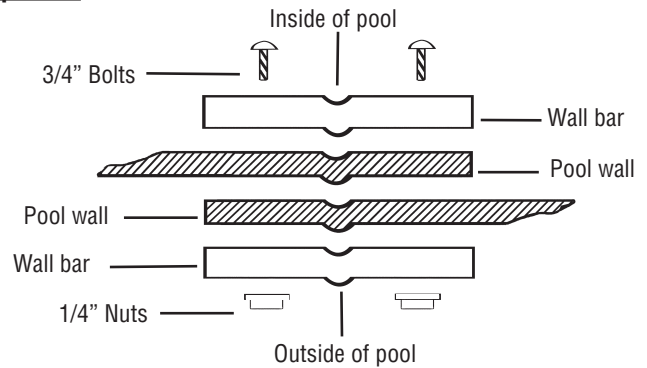
REMEMBER:

ALL HOLES AND BOLTS MUST BE USED ON 54" POOLS! 52" AND 48" POOLS MAY HAVE A FEW LEFT OVER. ALL NUTS SHOULD BE AS TIGHT AS POSSIBLE USING HAND TOOLS. BARS MUST NOT TOUCH EACH OTHER. IF THIS IS DONE INCORRECTLY YOUR POOL WILL BREAK!

Type #2 Staggered Bolt Pattern

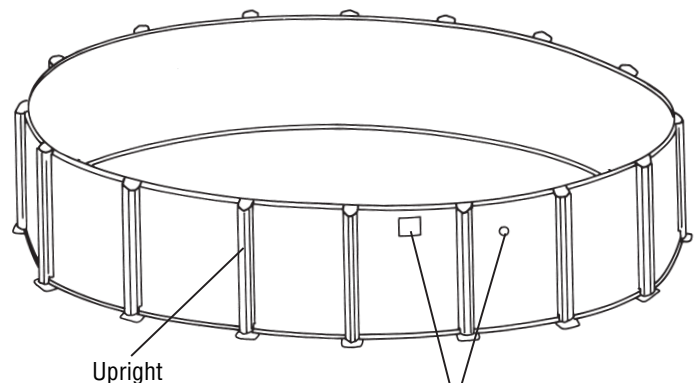
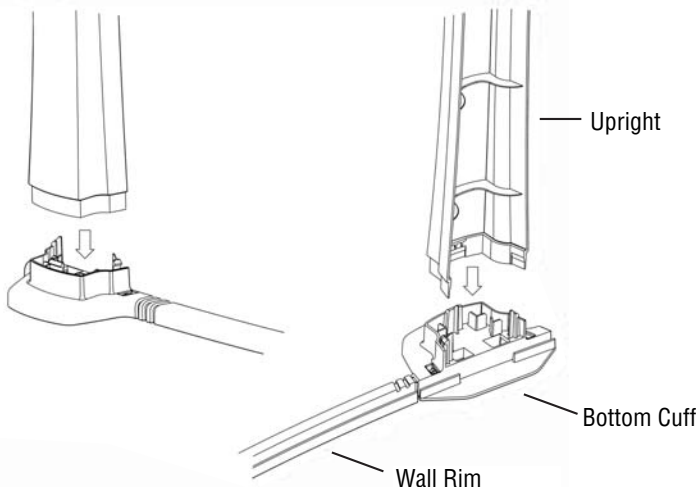


Top View



STEP 7: UPRIGHT INSTALLATION

Install uprights by simply lining the upright up to the three clips in the bottom cuff and pushing down until all three clips lock in. Once this is done correctly the upright should not pull up without bringing the bottom cuff and wall rims with it. Do this around the entire pool. When all uprights are attached check the pool for roundness again, making sure the diameter is the same in all directions.



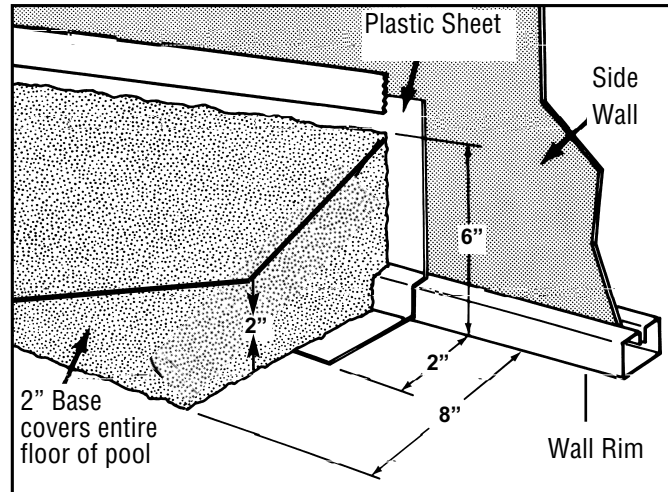
* Wall joint is hidden behind the upright. This assures that the skimmer and the skimmer return holes are not obstructed.

STEP 8: PREPARING THE COVE

Using neutral alkalinity sifted earth, or fine sand without pebbles, build a 2" base over the entire pool area to protect the liner. **DO NOT USE ANY SUBSTANCE WITH HIGH ALKALINE OR ACID CONTENT, ESPECIALLY PEAT MOSS, AS IT WILL CORRODE METAL PARTS!**

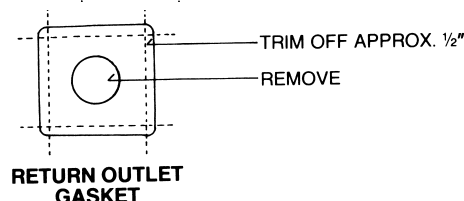
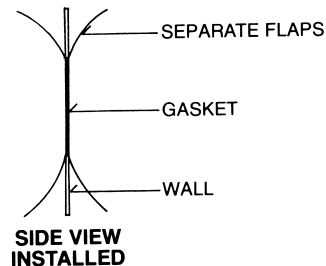
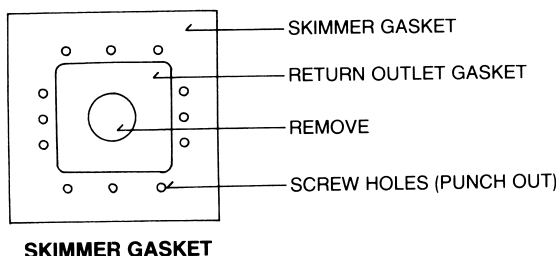
Next, using the sifted earth or fine sand, build a pool cove 6" to 8" high inside the wall along the entire circumference. This will prevent the liner from creeping under the wall, and it will also protect the liner from any edges of the pool framework. **THIS STEP IS NOT OPTIONAL- IT MUST BE DONE!** Since earth containing chemicals can cause discoloration or corrosion, it is suggested that you place polyethylene plastic sheeting under the cove around the perimeter of the wall, so no earth comes in contact with the metal wall. Since the presence of such chemicals is beyond the control of the manufacturer, such damage is not covered by the warranty.

After the cove and the base are in place, rake and tamp the entire pool area. Make sure that no sand is allowed to remain on the wall above the cove. This could cause pinholes in your liner.



STEP 9: LINER PREPARATION

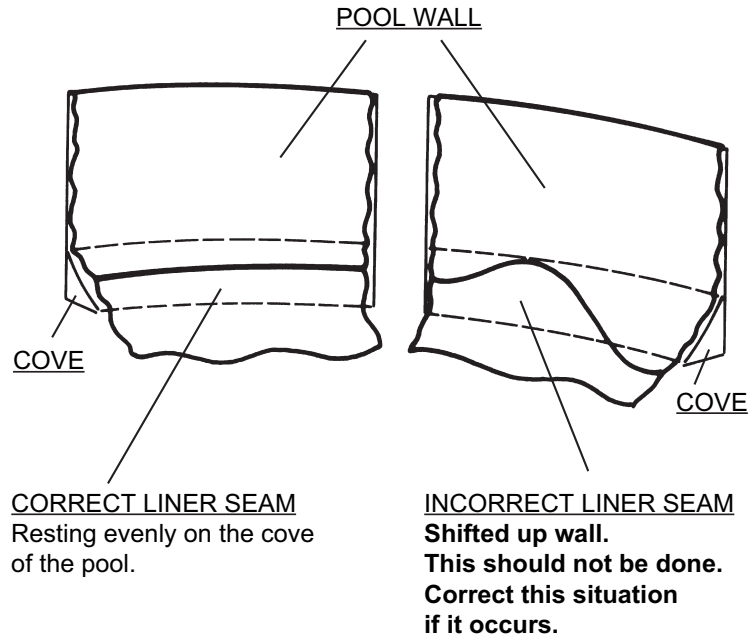
Before installing the liner, punch out skimmer and skimmer return holes from the wall using a hammer and screwdriver. Be careful not to rough up the edges too much. If you do you can file them down to be safe from further damage to your pool (Be careful not to allow filings to land inside of the pool wall). If you want to you can duct tape the raw edges of the metal at the skimmer and return cut outs to protect the raw edges against corrosion. Next, locate your safety envelope, take out the double sided vinyl gasket and install skimmer and return gaskets as shown on included instruction sheet. **THIS MUST BE DONE!** You must also periodically inspect the gaskets for leaks to validate the warranty.



***SEE ADDITIONAL INSTRUCTIONS INCLUDED IN YOUR SAFETY ENVELOPE**

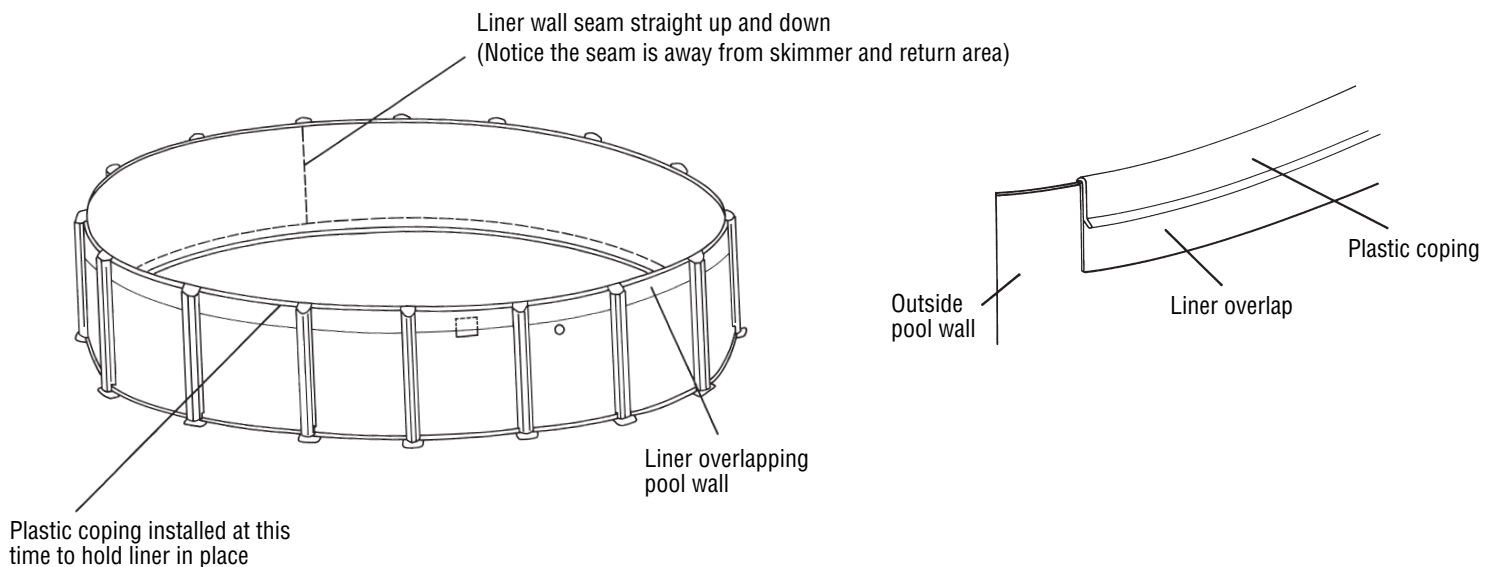
STEP 10: LINER INSTALLATION

If you opted to use the wall rims to help hold the wall up, then you will need to take them off, a few pieces at a time while installing the liner. You may find it easier to take off 3 or 4 at a time and replace them before taking off the next set, so there is some support for the wall. Do not place the liner wall seam directly over the skimmer or skimmer return cutouts. Place the liner at the center of the pool with the flap from the seams facing down. (For print liners, leave the print side facing up.) Spread the liner so that the bottom seam of the circumference is resting on the cove evenly around the pool. The seam should not be upon the wall or shifted to one side. These conditions will cause tightness or stretching of the liner when the pool is being filled.



STEP 11: HANGING LINER + COPING INSTALLATION

Starting at the liner wall seam, hang the liner over the wall making sure that the seam is straight up and down, perpendicular to the floor. This will assure you that the liner begins going over the wall straight. As you put the liner over the wall you can secure it by using the plastic coping strips to keep it in place. If you end up with excess material, continue around the pool, pulling excess liner evenly, and distribute over the wall until the excess is gone.

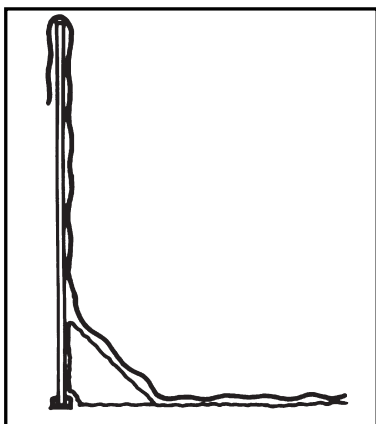


STEP 12: LINER ADJUSTMENT: (FOR OVERLAP LINERS ONLY)

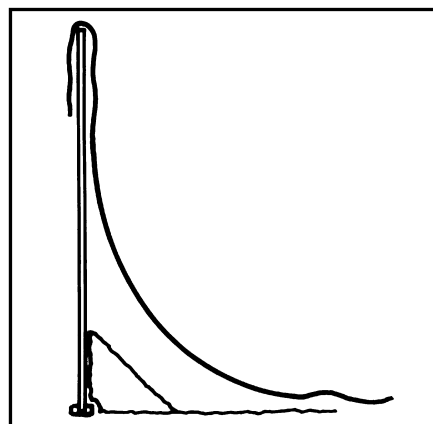
* Check which kind of liner you have with your pool before continuing with these instructions.

Once the liner is held securely in place by coping, temporarily pull wrinkles in the floor towards the side wall evenly, leaving the wrinkles at the cove. When the liner is correctly positioned, there must be no air space between the liner and the ground or side wall. Remove wrinkles at the cove by adjusting the amount of material over the wall. Do not pull too tight- leave the slack on the sides. When a liner is properly installed, there is no downward pressure on the liner. The liner will pull in if the wall vinyl does not have some slack when installing the pool.

Start filling the pool. When the water is no more than one inch deep, check to see that it is still level. If water runs to one side, remove the coping a few pieces at a time, pull back the liner and make the ground level. When level, continue to fill and adjust the liner. Do not cut the skimmer and skimmer return holes in the liner until fully adjusted and the pool is 1/3 filled.

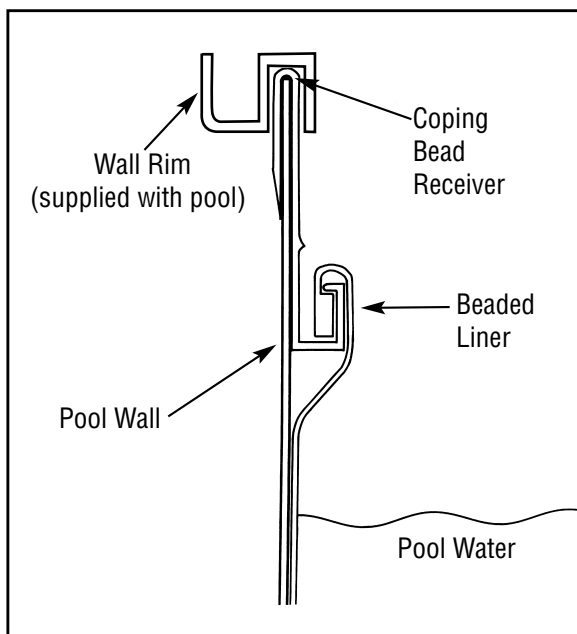


CORRECT
NO AIR SPACE BETWEEN
LINER AND POOL - SLACK
ON SIDES.

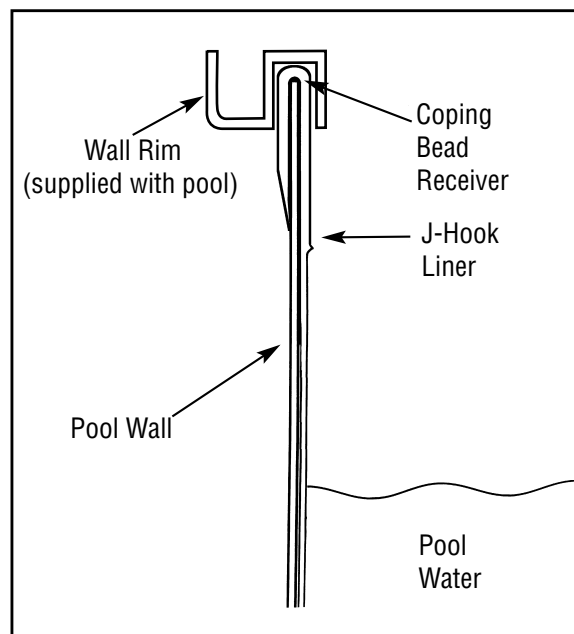


INCORRECT!
DO NOT LEAVE A GAP BETWEEN
LINER AND COVE. THIS WILL CAUSE
DOWNWARD PRESSURE ON THE
LINER. CORRECT THIS
CONDITION IF IT OCCURS.

BEADED LINER



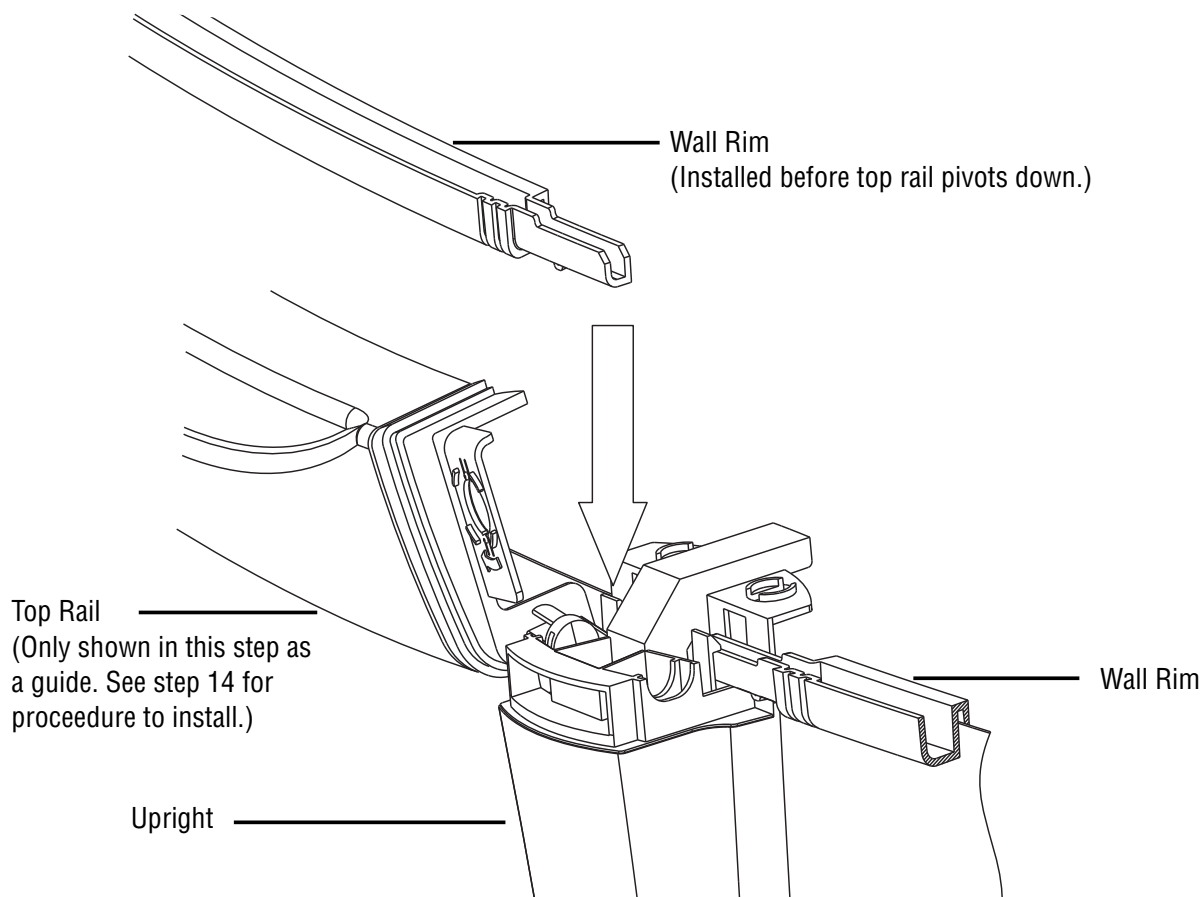
J-HOOK LINER



* These are two other common types of liners for above ground swimming pools.
If you have one of these types of liners, please ignore this step and refer
to separate instructions provided with your liner.

STEP 13: TOP WALL RIM INSTALLATION

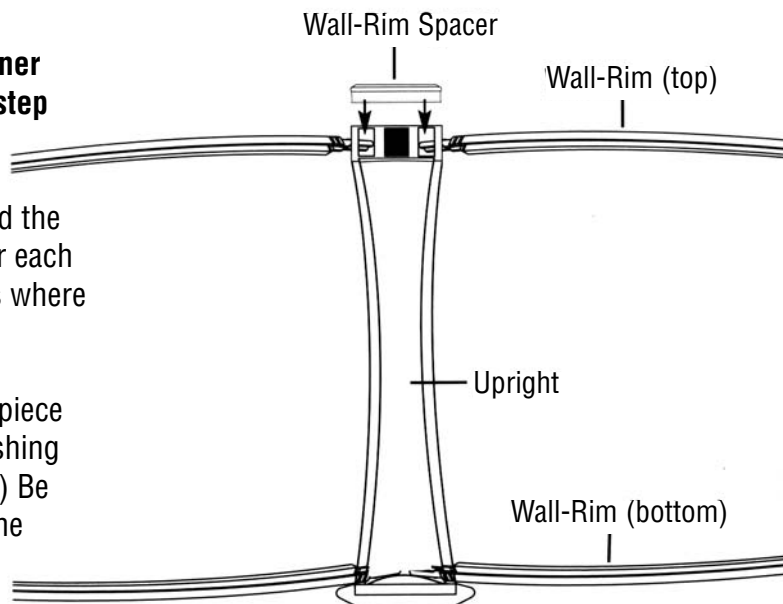
When you are completely satisfied with the way that your liner is hanging, you can now permanently install the other half of your wall rims on the top of the pool, as shown in the diagrams. This is done by snapping one side of the wall rim into the clip on the top portion of the upright, inserting the wall into the slot in the wall rim, then snapping the other side of the wall rim into the clip on the top portion of the next upright over, and applying downward pressure with your hands until the rim is securely fastened over the coping that is holding your liner (note: if you have a J-Hook liner there is no coping so the wall rim will go directly over the bead of the liner). Continue this around the entire pool.



• If you are using anything other than a beaded liner with your Matrix pool you must add this page to step 13 of your pool instructions.

After you have installed all of your wall rims around the top of the pool, you will see that there is a space under each upright where there is no wall rim. It is in those places where you need to install your wall rim spacers.

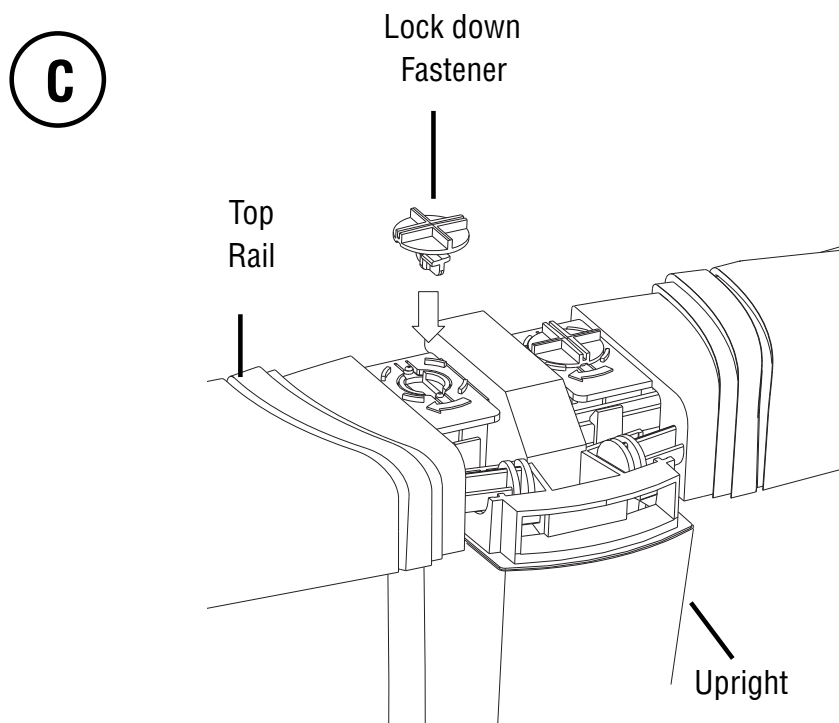
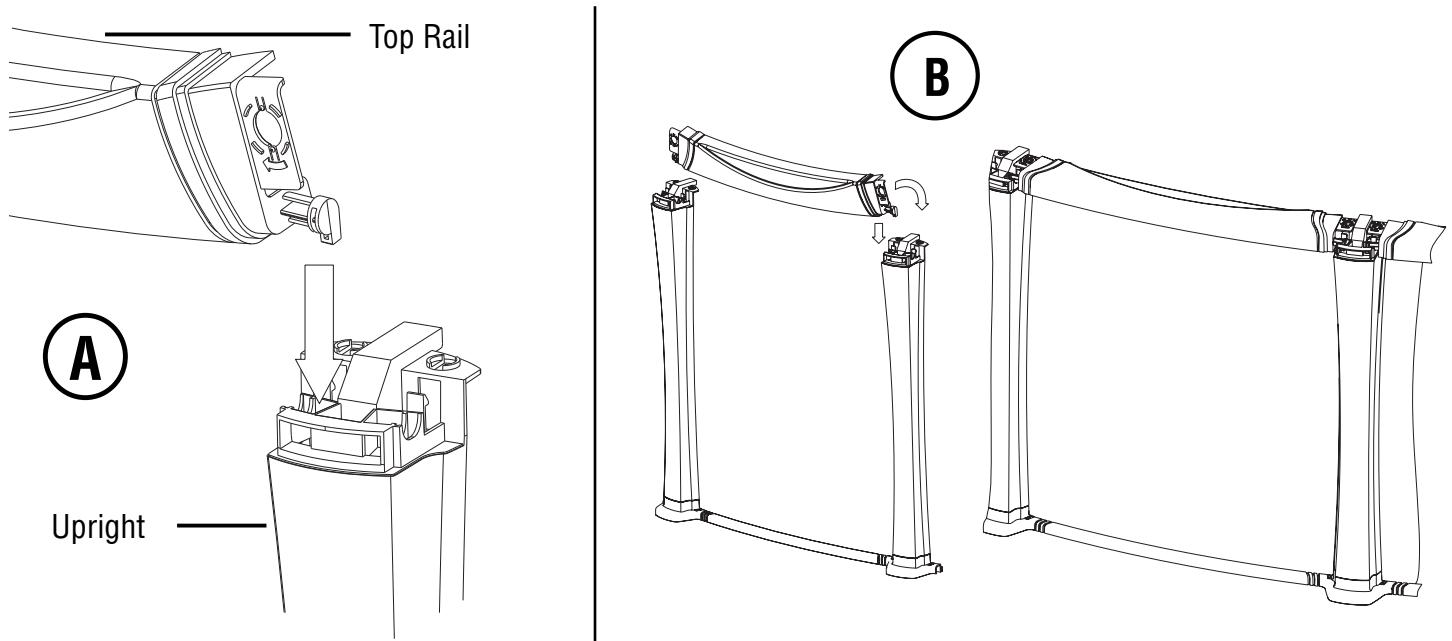
The wall rim spacers are installed by placing each piece under and upright, between the two wall rims, and pushing them down over the coping (as shown in the diagram.) Be sure that the hollow side of the wall rim spacer is on the inside of the pool wall.



STEP 14: TOP RAIL ASSEMBLY

After all of the wall rims around the entire pool are on, you can now assemble the top rails. To do this:

- A) Slide each of the top rails down into the corresponding opening in the top of the upright as shown in the diagram.
- B) Once both sides of the top rail are in, push the front of the top rail (the side that will be inside of the pool) down into place. At this point the holes in the top rail should fit around the raised circles in the uprights.
- C) Now insert a lockdown fastener into each side of the top rail and down into the upright. Turn them 90 degrees clockwise.
- D) Repeat steps A through C until at each upright there are two lockdown fasteners in place.



STEP 15: INSTALLING THE TOP CAPS

Center a top cap on each upright one at a time. Angle the front of the cap (the wider half of the cap which goes to the inside of the pool) down towards the floor of the pool and clip it to the inside of the upright. Pull down and back until the cap clips onto the back (or outside) of the upright. The top cap should now be secure and flush with the top rails. If it is not, pull the cap off and try it again. The caps should fit on easily and should not require excessive force to snap into place.

Continue around the entire pool until the joint at each upright is covered. Once that is done the installation of your Matrix resin pool is complete. Be sure to remove all stakes that were holding the bottom ring at this time, if you have not already done so. **Congratulations and enjoy your pool safely!**

