

THE WEDDING CAKE II

Installation



Read carefully the cautions and every steps before assembly and using your step.

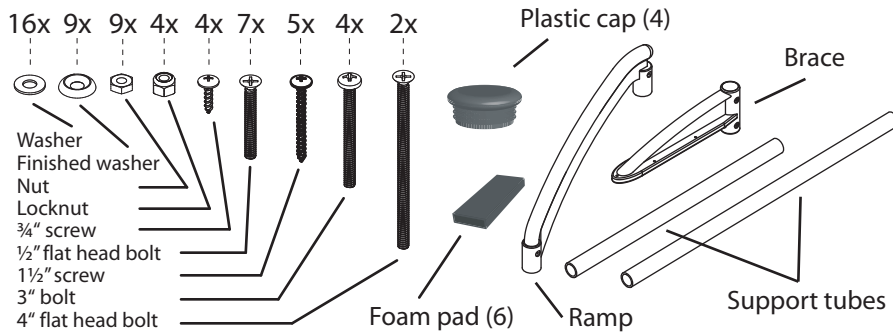
Required tools:

- Automatic screwdriver
- Pair of grip
- Cisor

Not included:

- Pea gravel
- Note : You will need approximately 150 lbs of pea gravel.
- Shim

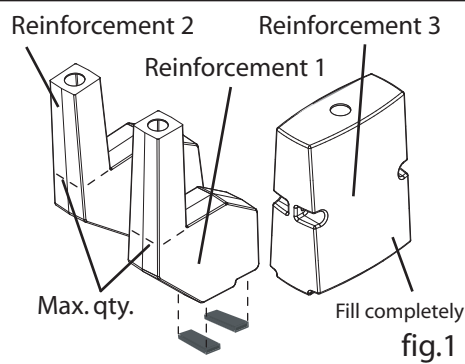
Material included:



Helpful hint: to ease the installation of rails and bolts, use a screwdriver to line up holes.

Caution : File off all stripped or sharp edges before assembly to avoid injuries and pool damage.

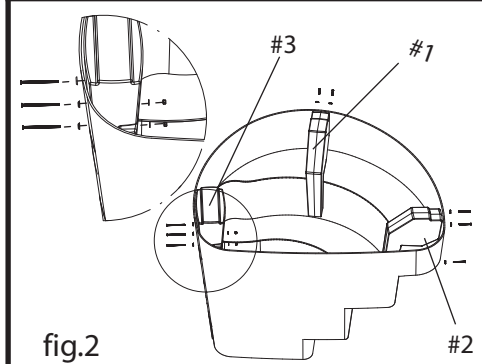
Step 1



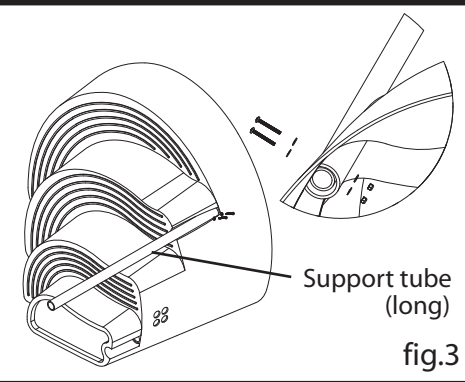
1- Install 2 protective foam pads under each reinforcement parts. Fill the 3 reinforcement parts of pea gravel*, following quantities as shown on (fig.1). Install the plastic caps.

2- Lay the step and fix the reinforcement 1 and 2 at the appropriate places with the 1 1/2 flat head bolts (6), washers (6), finished washers (6) and nuts (6). Fix the reinforcement #3 with 4" flat head bolt(2), 1 1/2 flat head bolt (1), washers (2), finished washers (3), and nuts (3).

Step 2

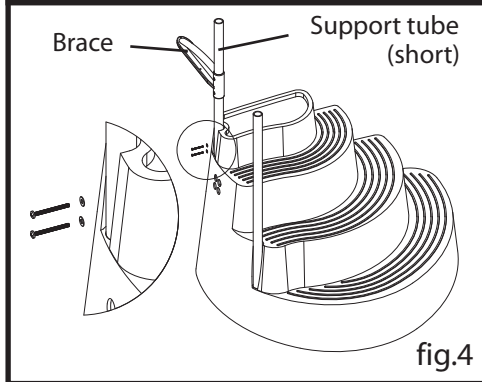


Step 3



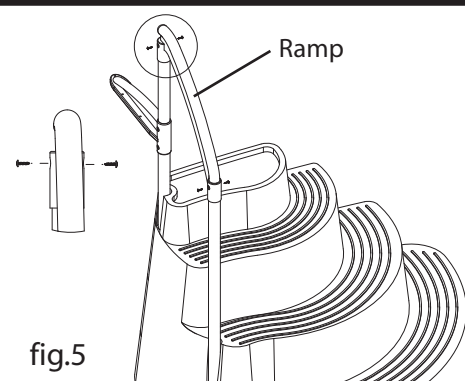
3- Lay the step on the flat side and insert the longer support tube in the opening at the bottom of the step and fix it with the 3" bolts (2), washers (4) and locknuts (2) included and raise up the step (fig.3).

Step 4



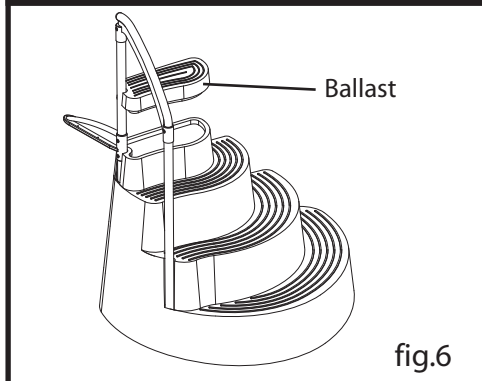
4- Place the shorter support tube in the opening at the top of the step. Line up the holes and fix the support tube with the 3" bolts (2), washers (4), and locknuts (2) included using the opening in the back. Slide the brace on the upper support tube (fig.4).

Step 5



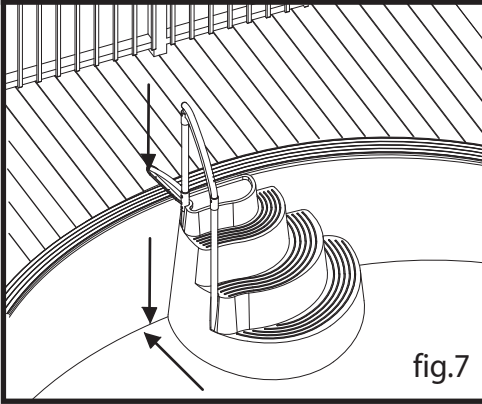
5- Insert the ramp on both support tubes. Fix the ramp to the support tubes with 3/4" screws (4). (fig.5).

Step 6



6- Cut and dispose the nylon strap placed to retain the ballast unit with pea gravel*, seal with the plastic cap. (fig.6).

Step 7



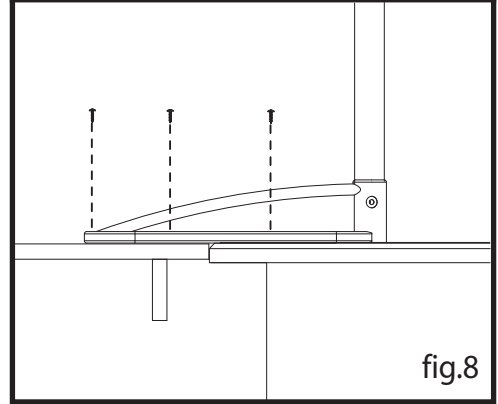
7- Move the step into the water and allow the air to escape. Place the step against the pool wall and ensure that the step touches the ground solidly. **Leave 1" gap between the pool wall and the back of the step.** Lower the brace until its rests on the deck. Put the ballast unit on top of the step (fig.7).

8- Attach the brace to the deck using the 1 3/4" screws. If the deck is above the top rail, attach the brace directly to the deck (fig.8).

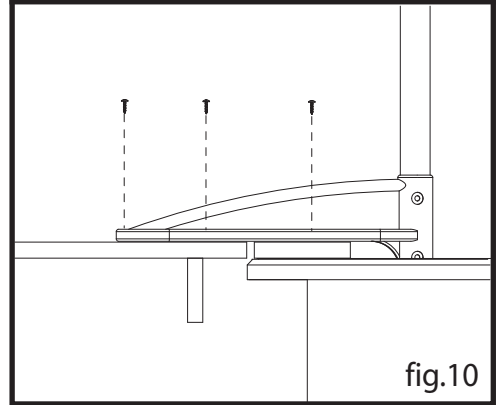
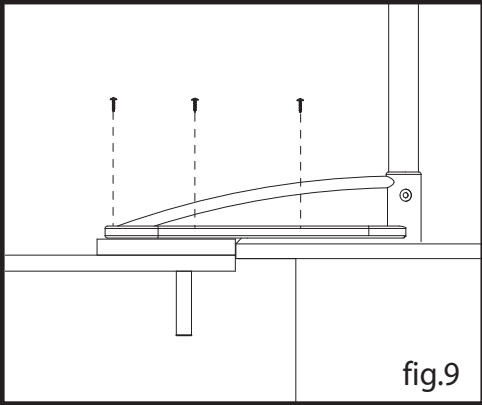
9- If the deck is lower than the pool, the brace should be shimmed* to attain the same level as the pool (fig.9). Ensure the shim is properly secured to the deck.

10- If the pool is lower than the deck, the brace should be shimmed* to attain the same level as the deck. Ensure the shim is properly secured to the top rail (fig.10).

Step 8



Step 9

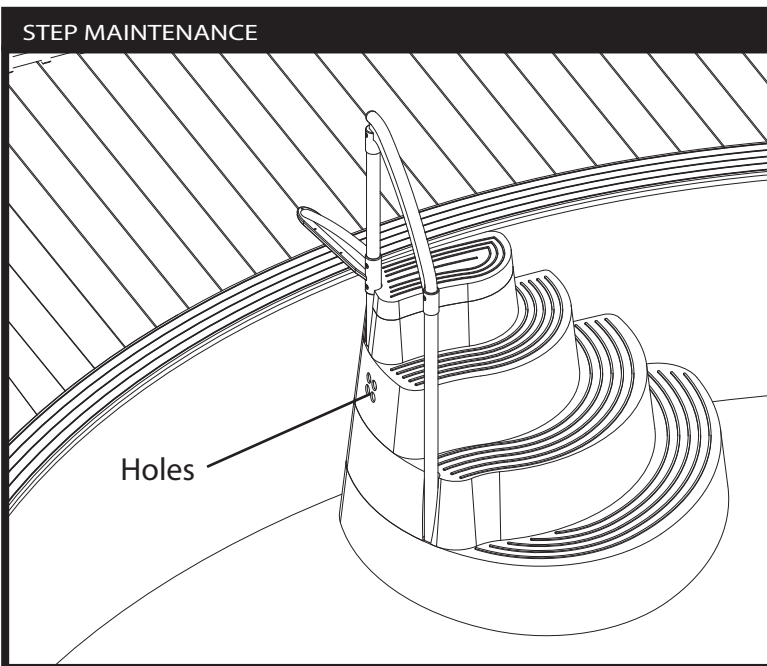


Remember:
Nothing replaces parental supervision
Watch children at all time.

STEP MAINTENANCE

1 - When adding water in your pool, insert the nozzle of your hose in the side holes of the step to allow a good water circulation throughout the season.

2 - When treating your water, do not forget to treat the water inside your step.



CAUTION

- :: Install the step on a solid base and flat base.
- :: Do not jump or dive from the step.
- :: The step should be removed from the water when temperature drop below freezing.
- :: Never lift the step by its rail.
- :: Use battery-operated tools to avoid electric shock near water
- :: Ensure no corrosive materials are added to the step or hardware kit
- :: The step shall be installed per manufacturer's instructions.
- :: The manufacturer is not responsible for damage or injuries caused by improper installation or use.
- :: For more protection, we suggest to install a step pad* under the step.

This model require a maximum inclination of the bottom of the swimming pool of approximately 2 degrees.

*Not included with the step. Call your pool supply for more information.

