

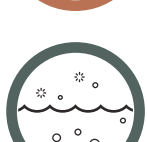
**SECTION
1**

**Pool Component Installation
Manual**

A All Round Pools
□ Part No. 1920283
rev. 4

General Instructions

Safety Rules For Pool Owners



Your pool contains a large quantity of water, and is deep enough to present inherent dangers to life and health unless the following safety rules are strictly observed. First-time users run the highest risk of injury. Make sure everyone understands all safety rules before entering the pool. Post **NO DIVING** and **NO JUMPING** signs beside the pool.

For additional safety information please read the enclosed booklet *The Sensible Way To Enjoy Your Aboveground/Onground Swimming Pool*.

1. No Jumping or Diving

The top rail of your pool is not a walkway and **must not** be used for jumping or diving. **Do not** permit jumping or diving into the pool from a deck or the top rail of the pool. Diving or jumping into the pool can result in serious injury.

2. Never use the Pool Alone

Never permit the pool to be used unless it is attended by at least one person other than the bather. Someone should always be available to lend assistance in an emergency.

3. Never Leave Children Unattended

Never leave a child alone and unsupervised in or near the pool—not even for a second. There is no substitute for constant adult supervision.

4. No “Rough-housing”

Do not permit “rough-housing” in and around your pool. Surfaces can become slippery and hazardous when wet.

5. Light the Pool at Night

If the pool is used after dusk, adequate lighting **must** be provided. Illumination in the pool area must be sufficient to clearly judge pool depth and all features in and around the pool. For lighting recommendations, consult your local licensed electrical contractor.

6. Restrict Access to the Pool

Do not leave chairs or other furniture beside the pool that could be used by a child to climb up into the pool. Ladders **must** be removed whenever the pool is unattended. A fence with a lockable gate around the pool or yard is strongly recommended and may be required by law in some jurisdictions.

7. No Alcohol or Drugs

The use of alcohol or drugs **does not** mix with pool activities. Persons who have been drinking alcohol or using any drugs should not be allowed in the pool, and should be carefully supervised in the surrounding area.

8. Keep Your Pool Clean and Sanitary

Your filter system will remove suspended particles from the water and the surface skimmer will remove insects, leaves and other debris from the water surface. Use the correct pool chemicals as directed to destroy harmful bacteria and prevent formation of algae. **Remember**, unsanitary water is a serious health hazard.



A. Introduction to Installing your Pool

Read all instructions completely before you begin.

These instructions explain how to install your pool. Simply follow the step-by-step directions. Start with this part, **SECTION 1** and use the other instructions, **SECTION 2 to 4** to put together your entire pool.

SECTION 1 also has **Safety Rules** and instructions to help you keep your pool clean and in good shape, year after year. Be sure to read the **Safety Rules**, and make sure everyone who uses your pool reads and understands them.

B. Determine a Location for your Pool

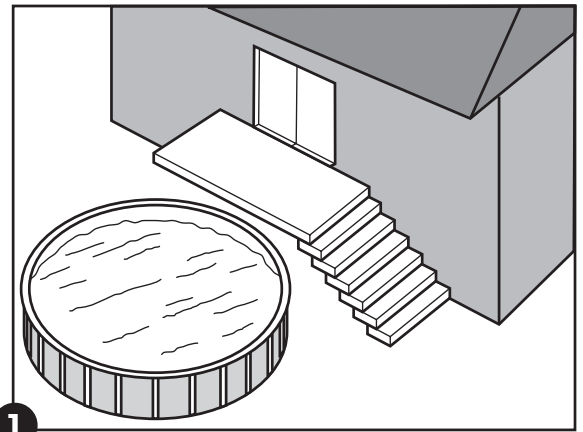
1. The Terrain

Pay special attention to choosing the right location for your pool:

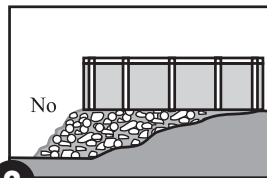
- Choose a large area, as flat and level as possible.
- Choose a spot on dry, firm earth—**do not** install the pool on concrete, asphalt, tar paper, sand, gravel, peat moss, wood or chemically treated soil.
- Check with your pool dealer to see if Nut Grass grows in your area. This type of grass may grow up through your pool liner. Your dealer will be able to advise how best to treat the site.
- Sloped areas will need to be made level by digging away high spots, **not** by filling low spots—be prepared to hire earth-moving equipment if necessary.



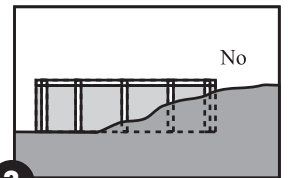
Important Note: Ground preparation is one of the most important steps in the installation process. A **proper foundation** will ensure the rest of the pool assembly goes smoothly and that no problems will occur when the pool is filled with water.



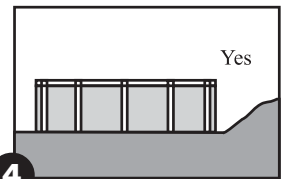
1



2



3



4





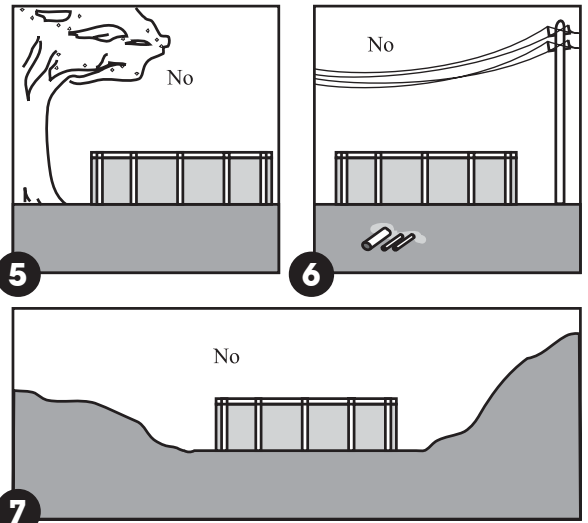
Important:

When locating the centre of the pool, **be sure** to take into consideration any structures (deck, patio, house) or relevant items (change rooms, gazebo, etc.) that the pool may need to line up with and ensure that the pool is in the most visual pleasing location for your property.

2. Things to Avoid

Do not locate your pool near or on any of the following:

- Overhanging tree branches.
- Overhead wires and clotheslines.
- Buried pipes and wires-contact your gas, electric and telephone utilities to find buried pipes and wires **before** you dig.
- Hilly and uneven terrain.
- Areas with poor drainage.
- Grass, stones and roots. Grass will rot underneath the pool liner, and stones and roots will damage the pool liner.
- Areas recently treated with oil-based weed killers, chemicals or fertilizers.



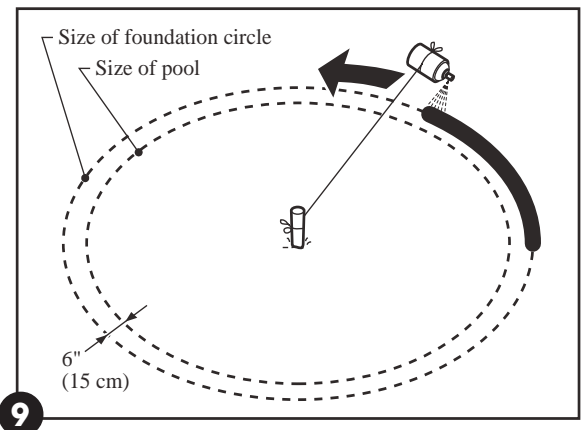
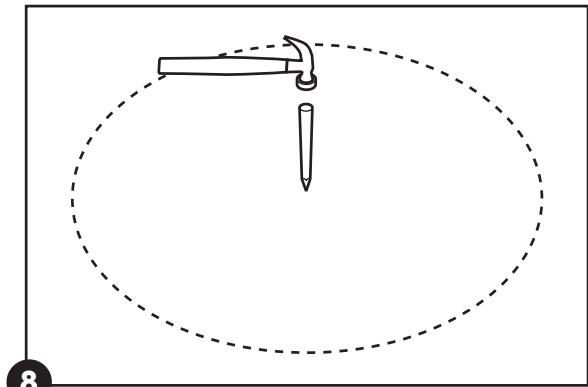
3. Plan Ahead

- Will you be adding an adjacent deck later? Be sure to leave room.
- Will you be using pool accessories or other appliances that need electricity or gas? Locate your pool near these services or plan to have them installed later by a licensed contractor.

C. Prepare the Foundation of your Pool

1. Mark out the Area

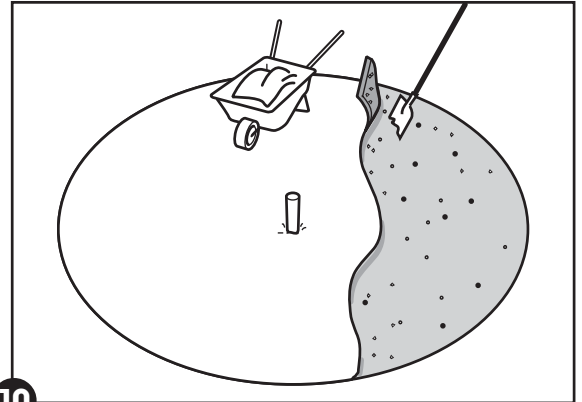
- Drive a peg into the ground at the **centre** of the area where you want your pool.
- Use a length of string tied between the peg and a can of spray paint, and mark a circle on the ground. Choose the length of string you need for your pool from the chart on the next page. The circle will be 6" (15 cm) bigger all round than the pool.



Pool Size	Length of String	Length of 2-by-4
12'	6'-6" (200 cm)	6'-6" (200 cm)
15'	8'-0" (244 cm)	8'-0" (244 cm)
18'	9'-6" (290 cm)	9'-6" (290 cm)
21'	11'-0" (335 cm)	11'-0" (335 cm)
24'	12'-6" (380 cm)	12'-6" (380 cm)
27'	14'-0" (426 cm)	14'-0" (426 cm)

2. Remove the Sod

- Remove all sod and plants from the circle.
- Remove any sticks, stones and roots from the circle.



10

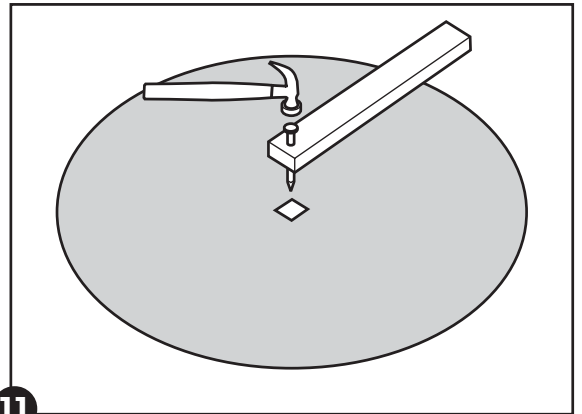


Remember:

Your pool must be perfectly level. Take the time you need to be sure your foundation is perfectly level.

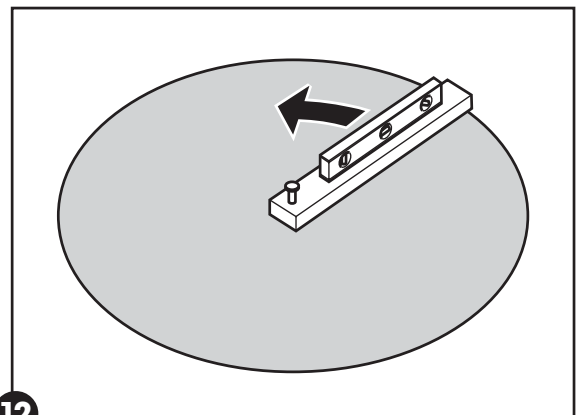
3. Make the Area Flat and Level

- Replace the centre peg with a flat-topped stake, at least 1" (25 mm) square and 6" (15 cm) long. Drive it down flush with the ground surface.
- Nail one end of a **straight** 2-by-4 to the top of the stake. Choose the length of 2-by-4 you need for your pool from the chart above. Use a nail long enough to hold the end of the 2-by-4 to the stake while you rotate it in a circle.



11

- Put a carpenter's level on the 2-by-4 and swing the board in a circle to find the high and low spots.



12

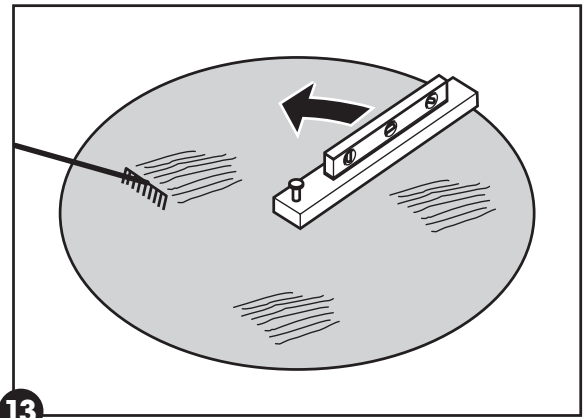


Hint:

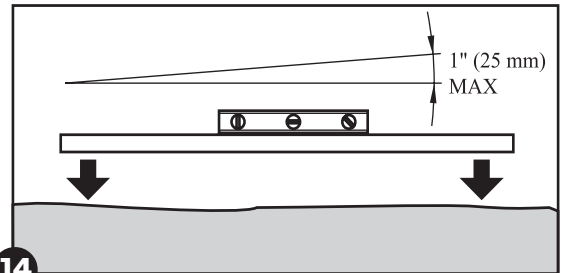
Use a surveyor's transit instead of a carpenter's level, if one is available.



- d. Remove all the high spots with a shovel, hoe or rake. Be prepared to hire earth moving equipment if you need to level a large area. Remember, your pool **must** be level within 1" (25 mm) across the diameter of the pool.

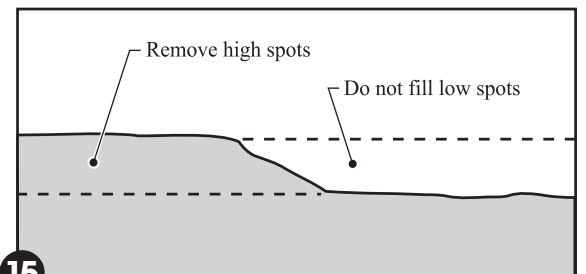


13



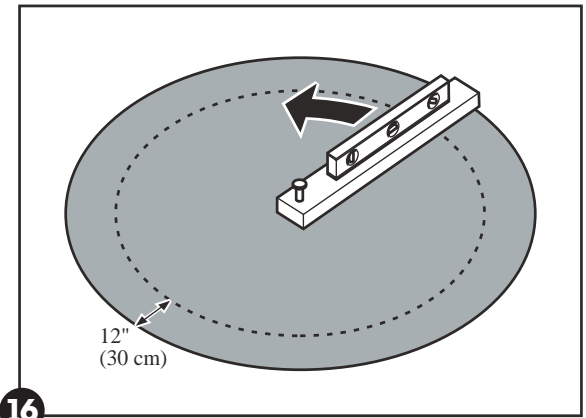
14

- e. **Do not** fill in low areas. Filling will create an unsafe foundation for your pool. Small dips and hollows may be filled in, but the soil **must** be hard-packed with a tamping tool.



15

- f. Recheck the outer 12" (30 cm) of the circle, where the pool wall will be. Make sure there are no high or low spots. The bottom edge of the pool wall **must** rest flat on the ground and have no gaps under it.



16



Remember:

The outer 12" (30 cm) of the circle must be perfectly flat. The bottom edge of the pool **must** rest flat on the ground and have no gaps under it. Take the time you need to be sure this area is perfectly flat and level.

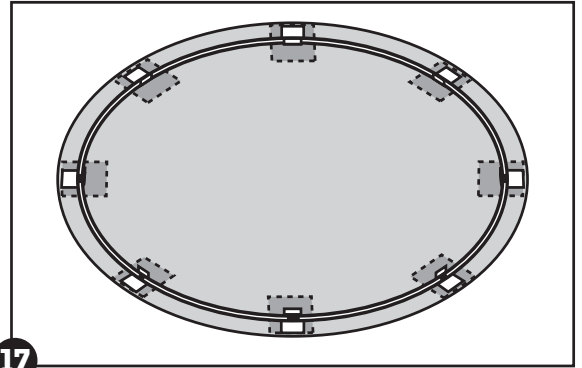
4. Patio Stones (Optional)

- a. Concrete patio stones may be placed at the base of each vertical column of your pool. This is optional, but makes a better foundation for the pool wall. Patio stones 12" (30 cm) or larger will do. Round patio stones will also work. Choose the number of patio stones you need for your pool from the chart on the next page.



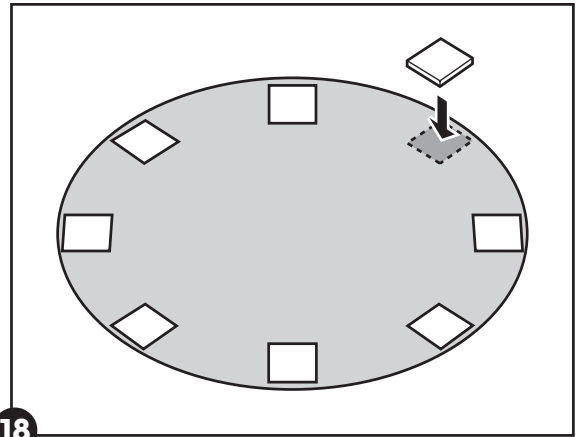
Pool Size	Number of Patio Stones (Optional)
12'	10
15'	10
18'	12
21'	14
24'	16
27'	18

- b. Temporarily lay out the base rails and base plates around the circle. Each base plate will show the location for a patio stone. Make a mark in the ground at each base plate.



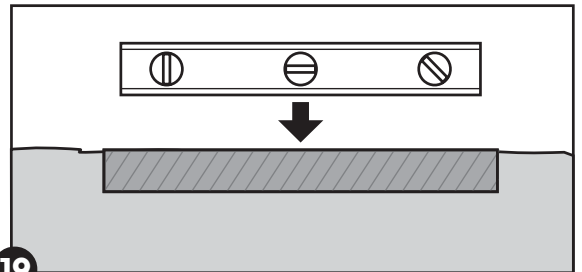
17

- c. Remove the base rails and base plates and lay out the patio stones around the circle where the base plates were.



18

- d. The patio stones **must** be sunk into the ground so the tops are flush with the soil around them. Use the carpenter's level to make sure the patio stones are perfectly level and flush with the ground. Use the carpenter's level and a 2-by-4 between patio stones to make sure the stones are level with each other.



19

- e. Remove the centre stake and 2-by-4.

5. Proceed to Section 2

- a. Continue with Section 2 to assemble your pool.
 b. The rest of Section 1 contains information you can use after you finish assembling your pool.



D. Maintaining your Pool

After you have finished installing your pool, follow these instructions to keep it clean and in good shape.



Caution:

Chlorine can damage your pool liner and metal parts. Wash any spills right away.



Remember:

Any rusty areas on the pool wall must be repainted quickly with anti-rust paint. A badly rusted pool wall can collapse.

1. The Liner

- a. Check the liner regularly for leaks.
- b. Minor repairs can be made to the liner with a repair kit.

2. Pool Wall and Vertical Columns

- a. Keep the pool wall and vertical columns clean. Wash down every so often with mild soap. **Do not** use abrasives, chemicals or cleansers.
- b. Wash off any spilled pool chemicals right away.
- c. Recoat all showing screw heads with clear outdoor varnish.
- d. Check all metal parts for rust regularly, at least once per season.
- e. Touch up scratches and rusty area on metal parts with matching anti-rust paint. Follow the directions on the paint can.
- f. Every two years, lower the water level in your pool to 12" (30 cm) deep. Remove the top edge of the liner from the pool wall and look for hidden rust on the inside of the pool wall.
- g. Pay special attention to any leaks at the skimmer and return openings. Leaks **must** be fixed immediately.

E. Winterizing your Pool

At the end of the swimming season, you must follow these directions to make your pool ready for the winter.



Caution:

Do not drain all the water from your pool for the winter, and **do not** remove the liner. An empty pool may collapse in the winter.

1. Lower the Water Level

- a. Lower the water level in your pool until it is about 6" (15 cm) below the water return fitting.
- b. Remove all hoses attached to the skimmer and return fittings. **Make sure all water is drained from the skimmer housing, and make sure the hole at the bottom of the skimmer is left UNPLUGGED.**

2. Check all Joints and Screws

- a. Make sure all the frame joints are fitting together well. Make sure the pool wall has not shifted from the bottom rail.
- b. Make sure all screws and bolts are tight.

3. Check for Rust

Paint any scratches or rusty areas with anti-rust paint.

4. Check the Liner

Make sure the top of the liner is still attached to the pool wall with plastic coping. **Do not** remove the liner from the pool. Removal of the liner will void the existing warranty. **Do not** drain all the water from the pool for the winter.

5. Finding Leaks

Make sure the liner has no leaks. Check the liner for leaks and repair any holes with a vinyl patch. Leaks in the winter can cause severe damage to your pool.

Continued next page



6. Pool Accessories

Remove all pool accessories from the pool, including the ladder. Leave the skimmer and filter parts **attached** to the pool wall. Ensure that the skimmer lid is installed **and the opening at the bottom of the skimmer is open so that accumulated water can drain immediately.**

7. The Filter

Disconnect the filter from the pool. Follow the filter directions for winterizing your filter.



Remember:

Failure to install the "pool Winterizing Kit" and follow the winterizing procedures, in accordance with these instructions, may void the pool warranty.

Important Winterizing Notice

All Pools:

The water level must be maintained at least 3" below the skimmer opening throughout the winter. Surplus water must be removed by pumping, draining or siphoning so that it doesn't enter the skimmer during the winter. **Remove all hoses attached to the skimmer and return fittings. The opening at the bottom of the skimmer MUST be kept open so that accumulated water can drain immediately.**

Pools with 12" skimmers:

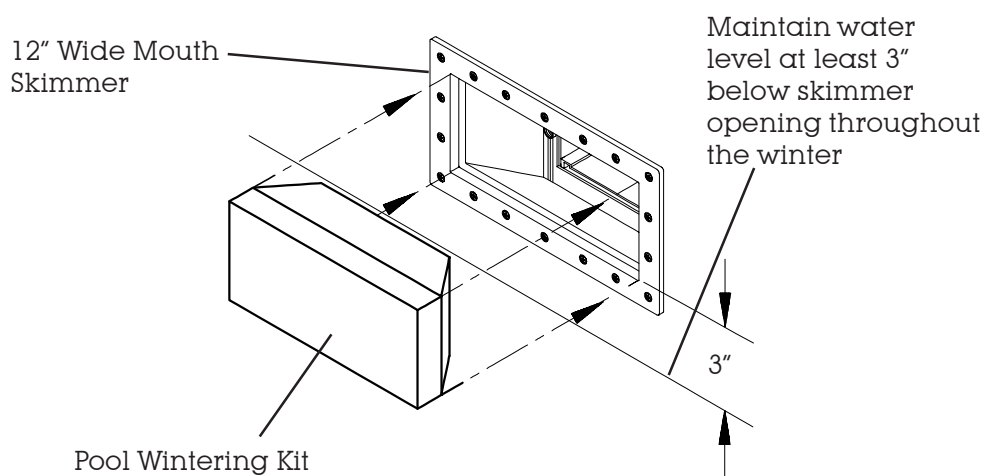
In addition to the above, the Pool Winterizing Kit (Part Number 1370138) must be inserted into the 12" skimmer (see illustration below)

Failure to install the "Pool Winterizing Kit" and follow the winterizing procedure, in accordance with these instructions, may void the pool warranty.

The Pool Winterizing Kit (Part Number 1370138) is also available from your pool dealer.

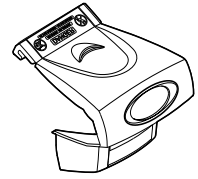
All Pools:

Do not attach the pool cover to the top rails, connectors or any part of the skimmer.



Insert the Pool Winterizing Kit (Part Number 1370138) into the skimmer until it fits flush with the skimmer flange. On some skimmers, it may be necessary to trim the foam to make a friction fit and/or use a wooden wedge to keep it in place during the winter.





Assembling the Pool Base

A. Assemble your Pool Base



Note:

If you want, instead of using patio stones you can make **crushed limestone pads**. Dig a 12" x 12" (30 x 30 cm) square hole 2" (5 cm) deep and fill the hole with crushed limestone, packing it down hard. Spray the crushed limestone with water as you pack it down.



Hint:

Bend the first 1/8" (3 mm) of the end of the bottom rail slightly with a pair of pliers to make sure the rail doesn't slide out of the base plate when the pool wall is installed.



Remember:

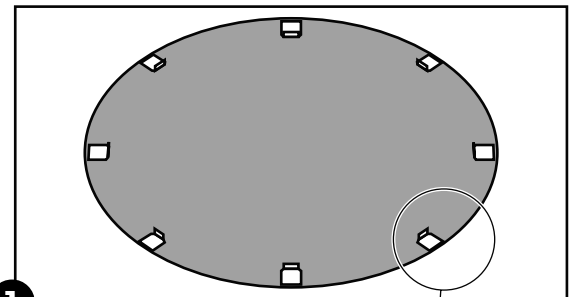
Spread brick sand or sheets of styrofoam out over the entire pool foundation area inside the base rails. This provides a protective surface for the pool liner to rest on. Pools with a styrofoam layer **must** still have a cove.

1. Lay out the Base Plates and Bottom Rails

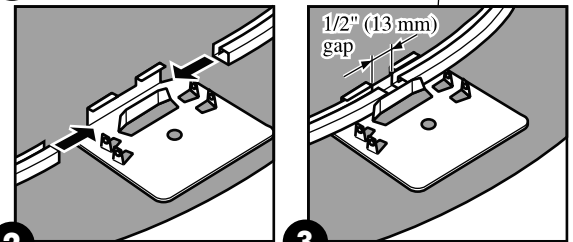
- This step is optional:** Place sheets of 1" or 1-1/2" (25 or 38 mm) thick Styrofoam on the ground over the complete area where the pool is to be constructed. Place the bottom rails and base plates on top of the Styrofoam. Do not leave any gaps between the ends of the bottom rails. Using the inside face of the base rail as a cutting line, cut the Styrofoam with a knife. Prior to removing the Styrofoam from inside of the pool perimeter, number each piece with a marker to make reassembling them fast and easy. Remove all of the Styrofoam from under the base plates and from inside of the pool (the Styrofoam trimmed off outside the rails can be discarded). Neatly stack the Styrofoam removed from inside of the pool it will be required later **after** the pool wall has been installed in Section 3, not before.
- Place the base plates equally spaced around the perimeter of your foundation. If you are using the optional patio stones, place one base plate on each stone.
- Slide the curved bottom rails together with the base plates. Leave a 1/2" (13 mm) gap between the ends of the bottom rails.

2. Spread out Brick Sand

- Spread a layer of fine brick sand (no pebbles) over the foundation area, 2" (5 cm) deep. Use a rake to make the brick sand flat and smooth. **Instead** of brick sand, you can use the sheets of Styrofoam previously cut out in Step 1a but you must wait until the pool wall has been installed (Section 3) before using this option. When you reassemble the sheets in the centre of the pool, join them with duct tape along the whole length of each seam.

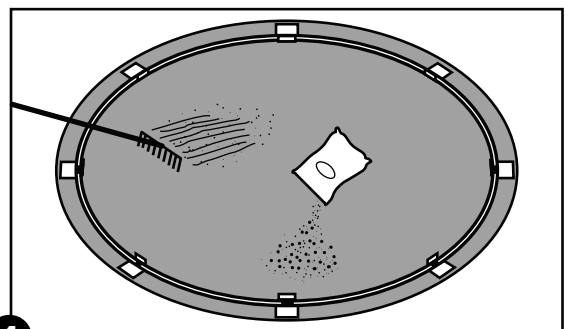


1



2

3



4

SECTION

3

Pool Component Installation Manual

Assembling the Pool Wall & Liner



Hint:

Bring the following items onto the pool foundation **before** you start uncoiling the pool wall: the **pool liner**, some extra **brick sand** to make the cove in Step 5, and a **ladder** to climb out after the wall is assembled.



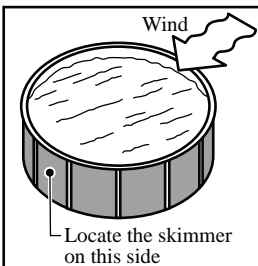
Caution:

Do not attempt to install the pool wall in the wind. Wait for a calm day.



Remember:

For **best results**, mount the skimmer on the **downwind** side of the pool (that is, directly across from the most common wind direction).



Hint:

Secure the slotted tube connector to the wall with a piece of duct tape after installation to prevent it from lifting off the wall.

A. Assemble your Pool Wall

This section is for Round and Oval pools (Round pools are shown).

1. Set the Pool Wall in place

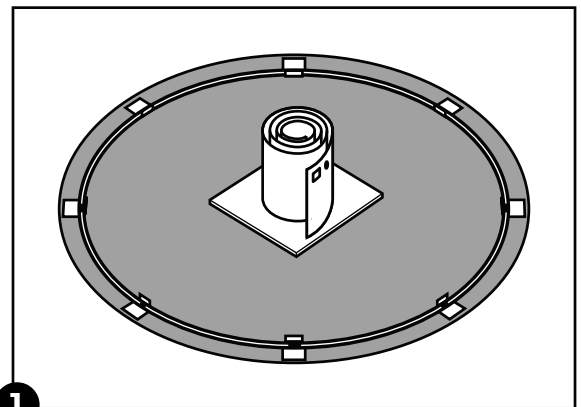
a. Wait for a calm day. **Do not** attempt to install the pool wall in the wind.

b. Unpackage the coiled pool wall and stand it on a piece of cardboard or plywood at the centre of the pool. The cut-outs for the through-the-wall skimmer should be towards the top of the wall. Look for a **"THIS WAY UP"** label and arrow.

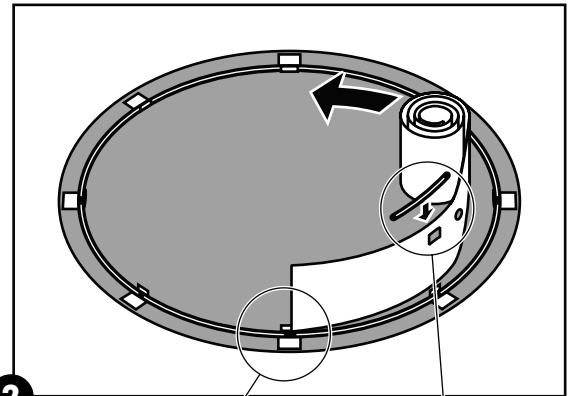
c. Start uncoiling the wall, guiding the bottom edge into the curved bottom rail. The starting end of the wall **must** be positioned **over a base plate**, and the skimmer and return holes should be positioned where the pump and filter will be.

d. Set lengths of slotted tube onto the top edge of the wall as you uncoil it and join the slotted tubes with connectors as you go, leaving a 1/2" (13 mm) gap between each.

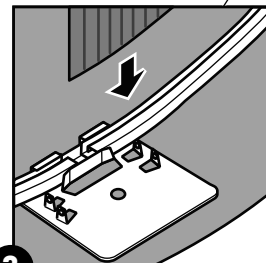
Make sure the gap is directly above the base plate (this applies to round pools, oval pools and Gibraltar Style pools). (If you have a **beaded pool liner**, set lengths of **liner retainer** on the top edge of the wall first, then the slotted tubes and connectors.)



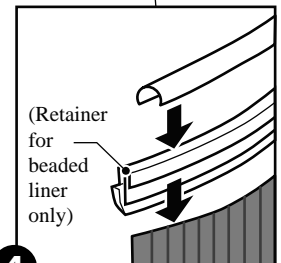
1



2



3



4

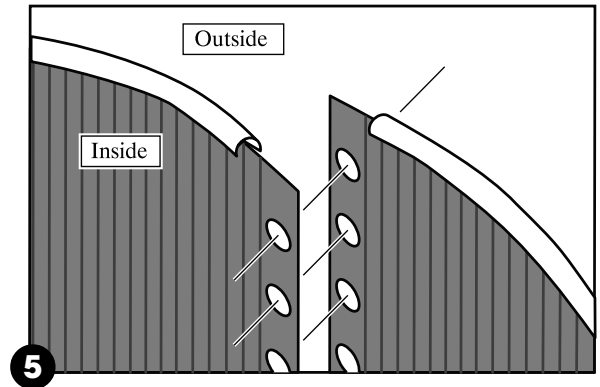
- e. Work around the foundation until the entire pool wall is uncoiled into the bottom rails and the top edge is covered with slotted tubes and connectors (and beaded liner retainers if you have a beaded pool liner).



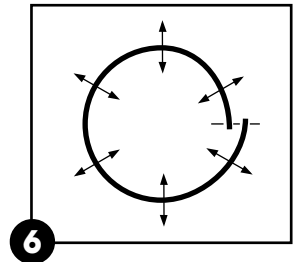
Hint:
Stick a screwdriver through two of the holes to help line up the ends of the wall.

2. Join the Ends of the Pool Wall

- a. Line up the holes in the two ends of the pool wall.

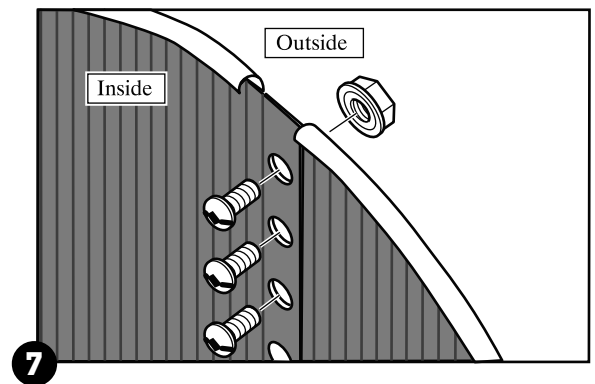


- b. To line up the holes, make the circle bigger or smaller by nudging the base plates in or out with your foot.

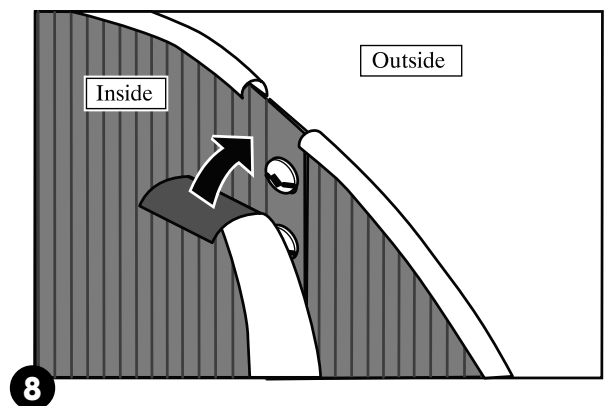


Remember:
The bolt heads must be toward the inside of the pool. Cover the bolt heads with duct tape.

- c. Join the ends of the pool wall with a bolt and nut through each hole. Place each bolt head towards the **inside** of the pool and each nut towards the **outside**.
- d. Tighten each bolt and nut securely.



- e. Cover the seam and bolt heads on the inside of the pool wall completely with 2" (50 mm) duct tape.



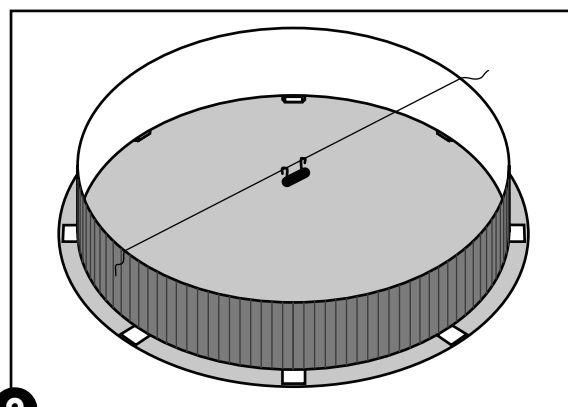


Caution:

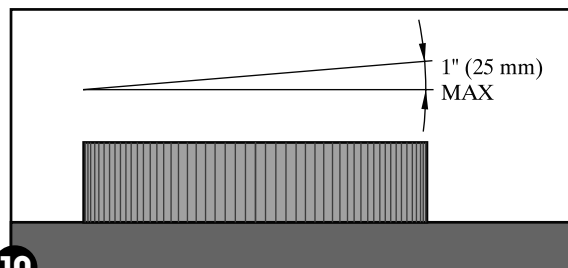
The pool **must** be level within 1" (25 mm) across the diameter. A pool that is not level is dangerous and may collapse.

3. Make sure the Pool Wall is Level

- a. Use a length of string and a line-level to check across the top edge of the pool wall to see if it is level. Check the wall in several different directions. The wall **must** be level. If the level is off by more than 1" (25 mm) across the diameter of the pool, take the wall apart and level the foundation again.



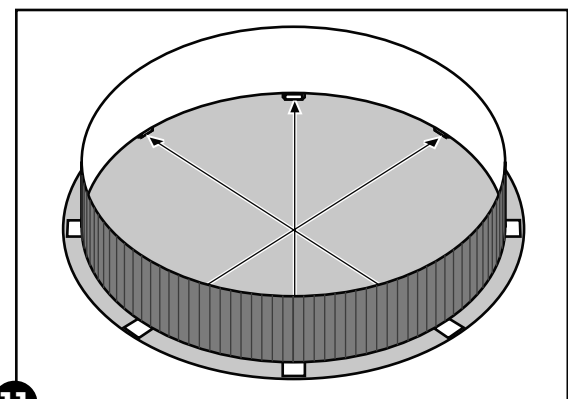
9



10

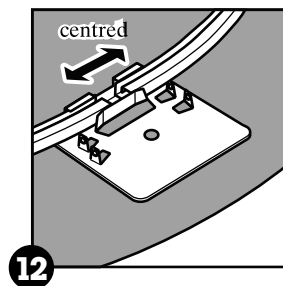
4. Make sure the Pool Wall is Round

- a. Using a tape measure, measure across the circle at each base plate. The pool wall **must** be round within 1" (25 mm) (all of the measurements must be within 1" (25 mm) of each other). Adjust the circle by nudging the base plates in or out with your foot.



11

- b. Adjusting the pool to the proper shape may cause the base rails and base plates to slip out of alignment a little. Recheck all of the base plates to make sure each one is centred where the base rails meet.



12

5. Install the Styrofoam Sheets (optional)

- a. If you chose the option of using Styrofoam **instead** of brick sand, you can now install the sheets of Styrofoam previously cut out in Step 1a. Reassemble the sheets in the centre of the pool and join them with duct tape along the whole length of each seam. Remember to wait until the pool wall has been installed in Section 3 before installing the Styrofoam.

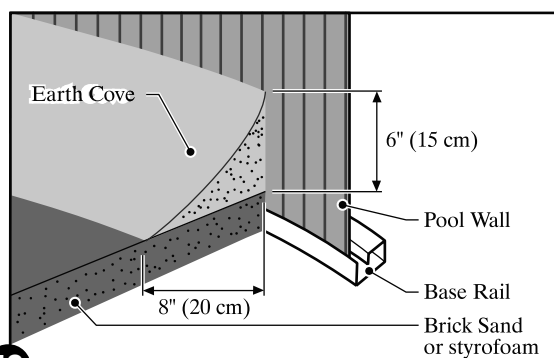


Remember:

The cove is an important part of the pool structure. Take your time to make a complete, full-size cove.

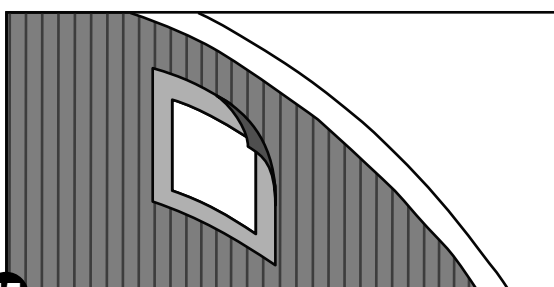
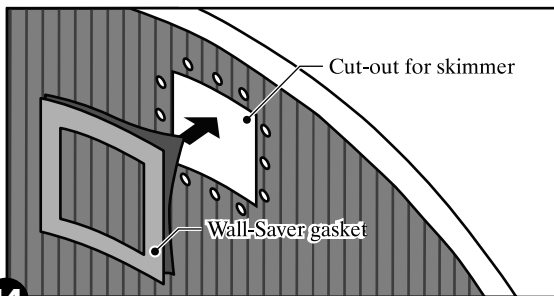
6. Make a Cove

- a. Make a curved cove about 6" (15 cm) high and 8" (20 cm) wide all around the bottom of the pool wall on the inside.
- b. Use fine earth or brick sand to make the cove, and pack it firmly into shape.

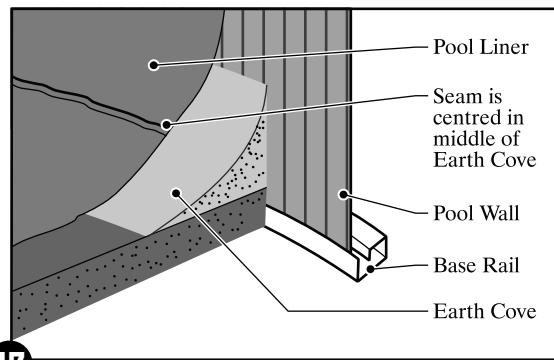
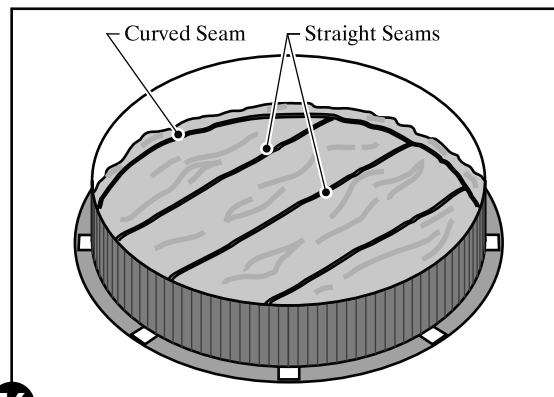


7. Install the "Wall-Saver" Gasket **13**

- a. The Wall-Saver gasket provides a water-tight seal around the skimmer cut-out for the through-the-wall skimmer. **Gently** spread apart the two layers of the gasket and insert it into the skimmer cut-out so that it sandwiches the wall. **Be very careful not to tear or damage the seam in the gasket or the gasket may leak.** Take extra care not to cut or damage the gasket when you are installing the skimmer later. If the gasket is damaged, you **must** get a replacement from your pool dealer.



Note: The "Wall-Saver" gasket is not required or provided for walls using 14" skimmers.



1. Set the liner in place

- a. Open the carton. **Do not** use anything sharp to open the carton.
- b. Unpack and unfold the liner and spread it out in the sun to warm it up. Inspect all the seams and surfaces for holes.

B. Install your Pool Liner



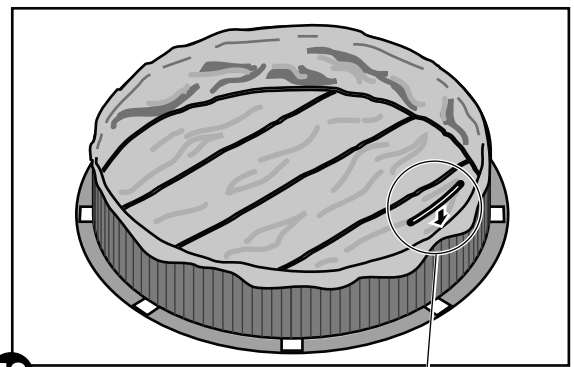
Hint:

If possible, unfold the liner on the grass one to two hours before installation. **Be careful** not to leave the liner too long or you may damage the grass.

**Hint:**

To smooth out the wrinkles in step 2(c), use a **vacuum cleaner**: block the skimmer outlet with cardboard and tape and put the vacuum hose through the skimmer return hole, between the liner and pool wall. Seal the hole with tape and keep the hose 4" to 6" (10 to 15 cm) above the sand cove so you don't suck up any sand. Start the vacuum and run it until most of the wrinkles are gone. Then, stop the vacuum and add 1" (2.5 cm) of water to the pool. Finally, remove the vacuum hose and unplug the skimmer hole.

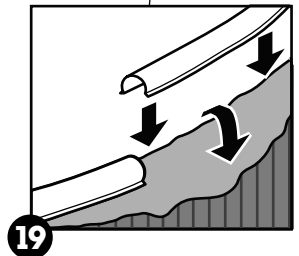
- c. Spread out the liner. Follow the instructions supplied with the liner for the correct orientation of the smooth side. The curved seam should be centred on the cove at the base of the wall. The other seams will form straight lines across the bottom of the pool.
- d. Smooth out all the wrinkles in the bottom.



2. Fasten the Liner in place (Overlap Liner only)

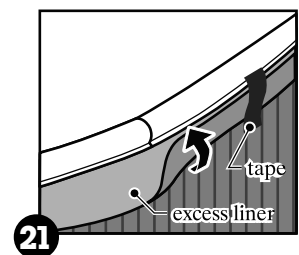
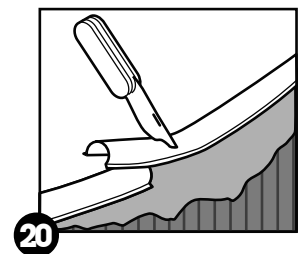
This step applies only if you have an **Overlap Liner**. See the next page if you have a **Beaded Liner or V-Bead Liner**.

- a. Lift the sides of the liner and drape them over the top of the pool wall. If you have a 52" (132 cm) high pool, pull the liner up until there is 2" (5 cm) overhang; if you have a 48" (122 cm) high pool, pull the liner up until there is 6" (15 cm) overhang.
- b. Fasten the liner to the top of the wall with plastic coping. Let the liner hang slack for now. **Do not** pull the liner tight.
- c. Start filling the pool with water. As the pool fills, work out all the wrinkles and smooth the liner to the wall. Remove the plastic coping around the top edge of the wall **one piece at a time** and adjust the liner. Keep smoothing out the wrinkles.



3. Trim the Plastic Coping and Roll Up the Excess Liner

- a. After all the wrinkles in the liner are removed, trim any extra length of plastic coping so there is no overlap.
- b. Roll up any excess liner hanging below the plastic coping and tape it in place near the top of the pool wall. **Important: Do not** trim off the excess liner.

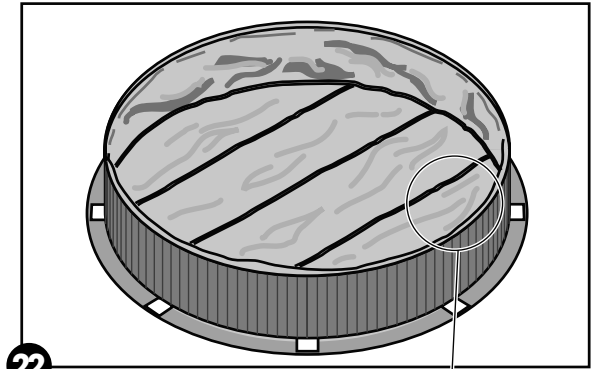
**Remember:**

Do not trim off the excess liner. (If the liner ever needs to be removed, trimming the liner will make re-installation very difficult.) Instead, roll up any excess liner and tape it in place near the top of the pool wall.

4. Fasten the Liner in place (Beaded Liner only)

This step applies only if you have a **Beaded Liner**. See the previous page if you have an **Overlap Liner** or below if you have a **V-Bead Liner**.

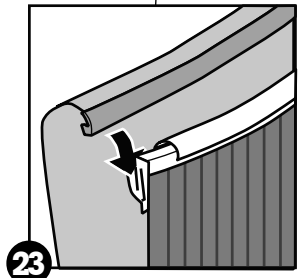
- a. Lift the sides of the liner and insert the beaded edge into the liner retainer on the top edge of the pool wall.
- b. Start filling the pool with water. As the pool fills, work out all the wrinkles and smooth the liner to the wall.



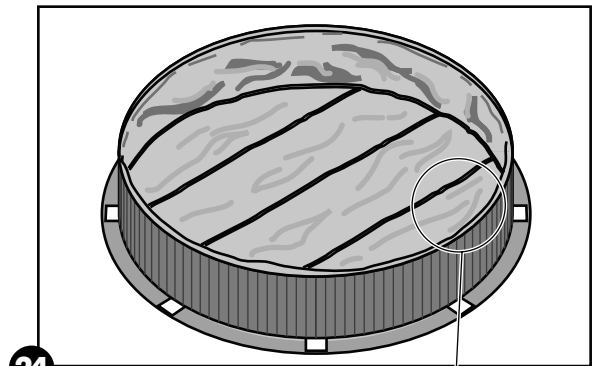
5. Fasten the Liner in place (V-Bead or J-Bead Liner only)

This step applies only if you have a **V-Bead or J-Bead Liner**. See steps 2 and 3 if you have an **Overlap Liner**, or step 4 if you have a **Beaded Liner**.

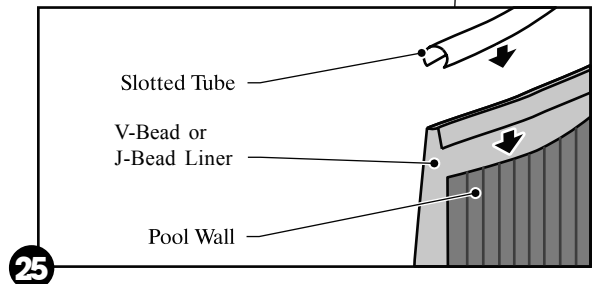
- a. Remove the slotted tubes and connectors from the top edge of the pool wall.
Important: do not remove all of the slotted tubes at once; remove only **two** lengths of slotted tube at a time.



- b. Hook the V-bead or J-Bead over the edge of the pool wall.
- c. The space between the ends of the slotted tubes at the tops of the locations where the verticals will be attached, should be about 1/2" (13 mm). If you have a Gibraltar Oval System, refer to page 2-6, step 2 in the Gibraltar manual.



- d. Replace the two lengths of slotted tube and connectors.
- e. Repeat steps (a) to (d) until you have gone around the entire pool and finished attaching the pool liner in place.



- f. Start filling the pool with water. As the pool fills, work out all the wrinkles and smooth the liner to the wall.

6. Proceed to Section 4

- a. Continue with Section 4 to finish assembling your pool.

Installing the Top Rails & Verticals

A. Attach your Verticals and Top Rails

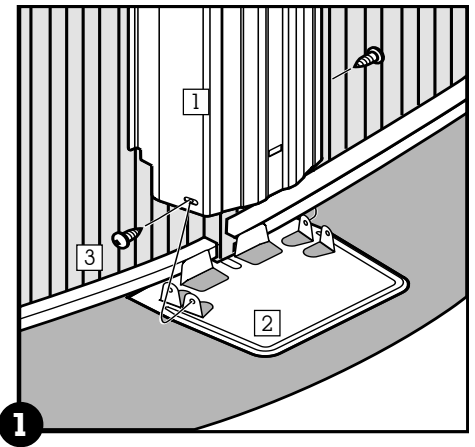
1. Continue filling your Pool

- Continue filling your pool with water. Do not put in more than 12" (30 cm) of water until the top rails and vertical columns are all attached.
- Keep working on the top rails and vertical columns while the pool fills.

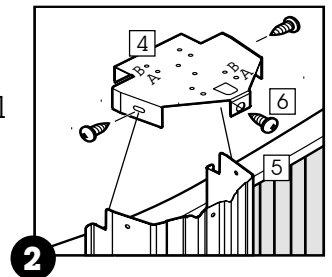
- See the drawing on the next page for an overview of all the parts used to install the verticals, top rails and top connectors.

2. Install the Vertical Columns

- Line up the bottom of one vertical column (key 1) with the two small tabs on one base plate (key 2). The tabs must be on the **inside** of the vertical column.
- Line up the screw holes and fasten with one self-tapping screw on each side (key 3).



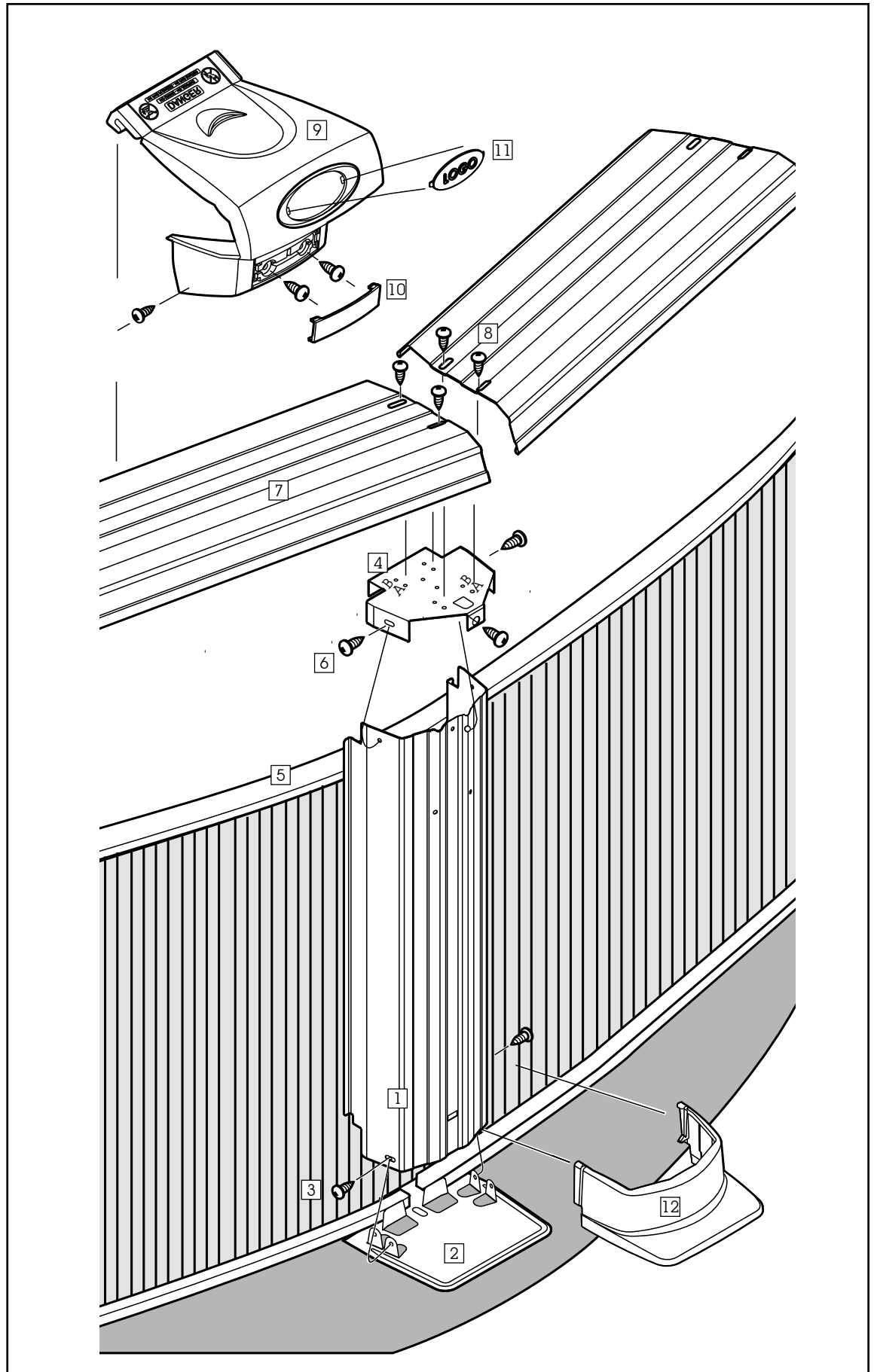
- Hook a top plate (key 4) over the top edge of the pool wall (key 5). Place the top plate down over the top of the vertical column with the tabs on the **outside** of the column. Make sure the vertical column is straight up and down.
- Line up the screw holes and fasten with one self-tapping screw on each side and one on the front (key 6).
- Repeat the last four steps for each of the vertical columns around the pool wall.



Hint:

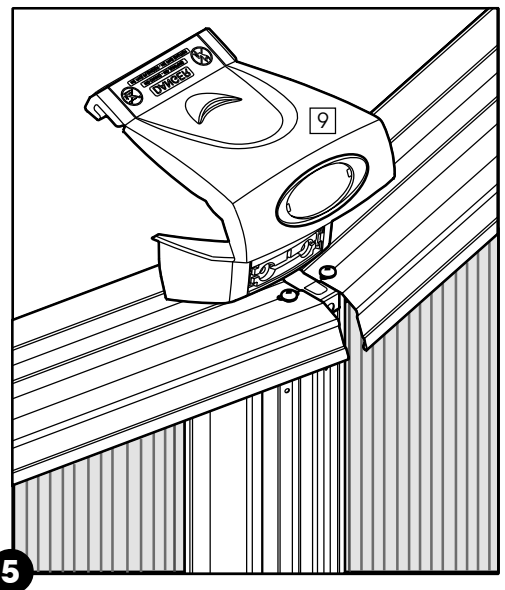
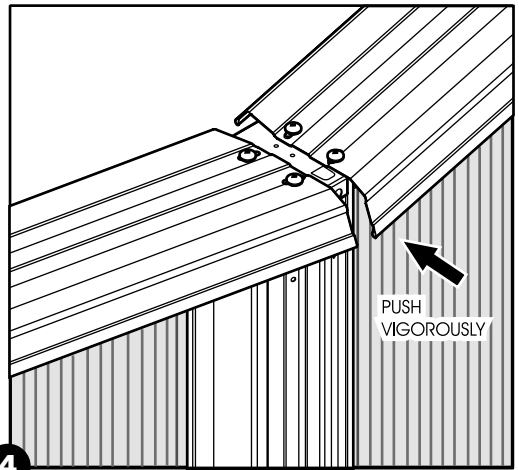
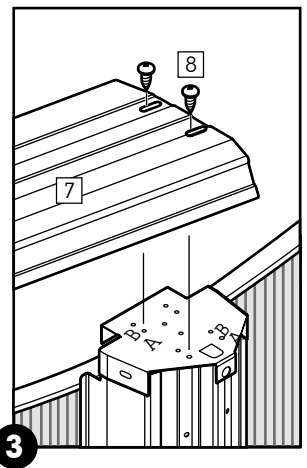
Use the ridges in the pool wall to make sure the vertical column is straight up and down.

**Overview of
Vertical, Top Rail
and Top Connector
Assembly**



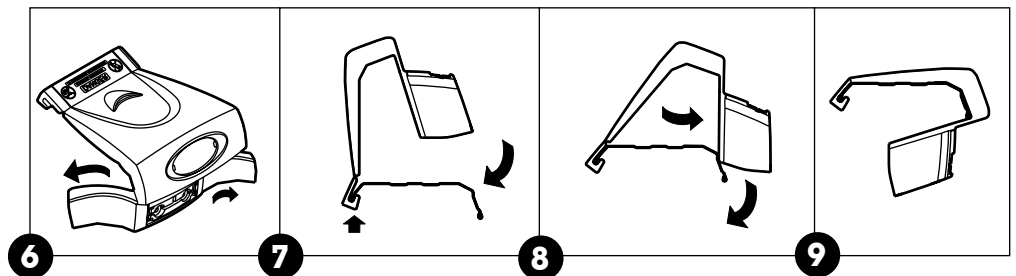
3. Install the Top Rails

- a. Place a top rail (key 7) with one end on top of the top plate. The side of the top rail facing the centre of the pool should be close to the pool liner and pool wall. The side of the top rail facing the outside of the pool will form a large overhang.
- b. Line up the holes as shown. Fasten through the two oval holes into the holes marked 'A' in the top plate below with two self-tapping screws (key 8). **Do not** tighten the screws yet. Leave the screws slightly loose until all the top rails are in place.
- c. Repeat the last two steps for the other end of the top rail.
- d. Repeat steps (a) to (c) to install the rest of the top rails around the top of the pool wall.
- e. Make the pool settle into a perfect circle by pushing the top of the pool wall **vigorously** inward at each vertical (this will help make the bottom of the pool wall shift into a perfect circle).
- f. Adjust all the top rails to line up evenly with each other.
- g. Tighten all the screws on all of the top rails.



4. Install the Top Connectors

- a. Line up the connector (key 9) above the ends of two top rails.
- b. Hook the small tabs protruding from the underside of the connector onto the inside edges of the top rails and hold them firmly in place. Pull the other end of the connector down into place under the top rails by **gently** stretching it across and down, as shown in diagrams 6 to 9.





Caution:

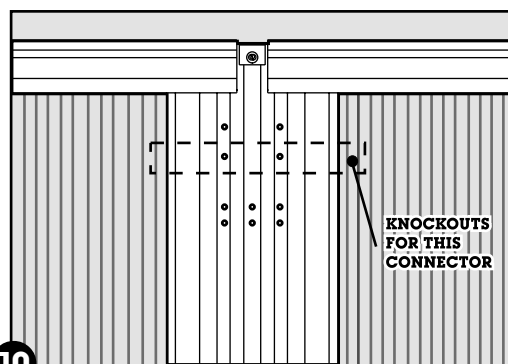
Be sure to **spread the sides of the lower half connector** before stretching it across the top rails or the connector may be damaged.



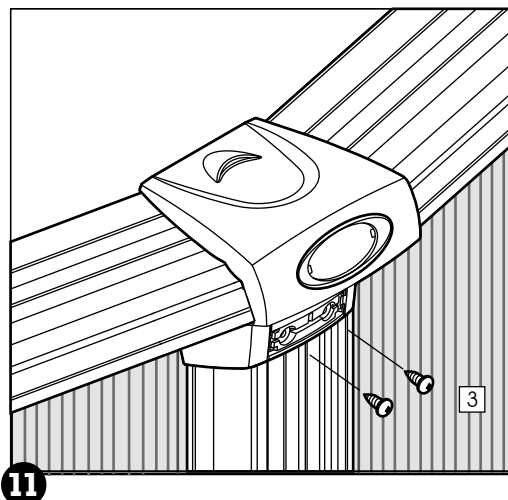
Note:

If necessary, the plug covering the screws can be removed by prying it out with a knife. Be careful not to damage the edges of the plug.

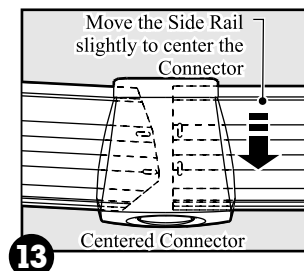
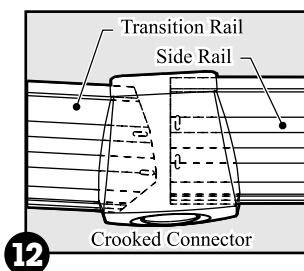
- c. Prior to installing the connector, knock out the holes shown in diagram 10.
- d. Push the lower part of the connector in towards the vertical column and line up the two screw holes in the lower portion of the connector with the two holes in the vertical column. Fasten the connector in place with two self-tapping screws (key 3). Tighten the screws.



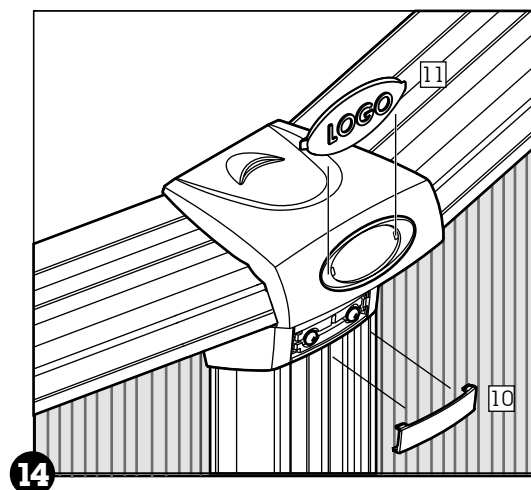
- e. **For oval pools only:** At the transition points only, where the end rail meets the side rail, make sure the side rail lines up properly with the end rail. If it doesn't line up, the connector will appear crooked from above (see diagram 12). If the connector isn't centered between the rails, temporarily remove the connector and loosen the screws on the side rail. Shift the side rail in or out from the center of the pool until the connector can be properly centered between the rails (see diagram 13).



- f. Install the connector clips (key 10) by lining up the circular ring on the clip with the circular ring on the connector and applying pressure. The clip will snap into place. (see diagram 14).



- g. First insert the tab on the left of the logo insert (key 11) into the opening on the top of the connector designed for the logo insert. Bend the insert slightly and insert the other tab into the opening on the other side of the connector. Press down on the insert to ensure a proper fit.
- h. Repeat the last seven steps for the rest of the top connectors.





Important:

The pool wall may bulge and shift a little while filling with water. This is normal.

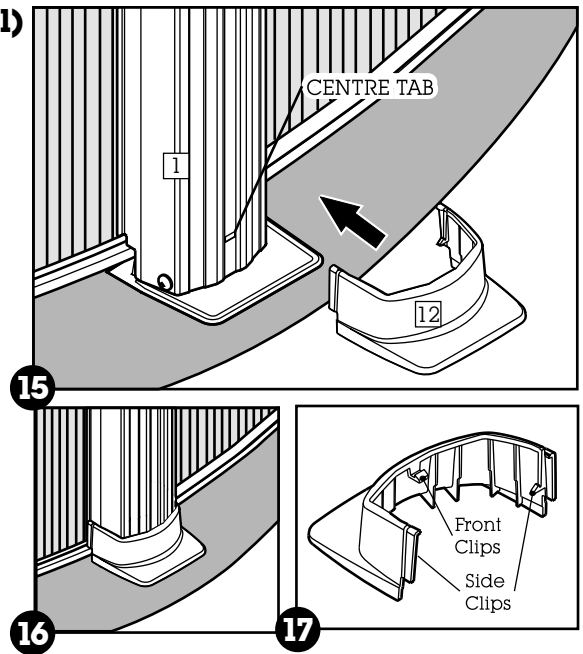


Note:

For Footcover installation on a vertical over a buttress, it may be necessary to modify the front clip of the Footcover. If the Buttress Upright behind the vertical blocks the front clip from being inserted, file it down until insertion is possible.

5. Install the Foot Cover (Optional)

- a. If the pool has been supplied with footcovers, the centre tab on the vertical will need to be knocked out prior to installation.
- b. Place the foot cover on top of the base plate (key 12). Slide the foot cover towards the pool wall until the side clips and front clip snap into the vertical column (key 1).
Important: Ensure that the side clips snap into the cutouts for the bottom rails.
- c. Repeat the last step for each of the vertical columns around the pool wall.



B. Fill your Pool with Water



Caution:

Before anyone uses your pool, read and follow all the **Safety Rules** in Section 1. This pool is **not** for diving or jumping.

1. Finish filling the pool

- a. Fill the pool with water to 2" (5 cm) below the lowest opening. Next, follow the installation instructions for your skimmer.