



ASSEMBLY INSTRUCTIONS
OVAL POOLS
 MODELS: CAPRI / ZEPHYR / BORA / BRISA

Dear Customer

Congratulations! You have purchased a pool of superior quality and durability. To achieve the best possible results, follow the instructions carefully. Failure to follow the installation procedures may result in damage to your pool or property and void your warranty. We recommend that you make a preliminary study of the instructions booklet to familiarize yourself with the different parts of your pool. Make sure that you understand each step thoroughly before you begin assembling. We wish you a most pleasant and refreshing summer.

WARNING: Be sure you have read and understood the "Safety Information" sheets before you begin your pool installation.



WARNING: For your safety, your pool is not designed for diving and/or jumping head first. Please do not dive. Diving may result in permanent injury or death.

1 SITE PREPARATION

When selecting the site for your pool, take into account city by-laws regarding fences and utilities laws pertaining to electrical cables, as well as the landscaping which you are planning once the pool is installed.

- 1) Drive a stake into the ground at points A and B respecting the distance of the straight section between those two points (A-B).
- 2) Draw two half circles respecting the radius (R).
- 3) Join the two half circles with straight lines respecting the width between these two lines (D).
- 4) Verify that the total length is consistent. (E)
- 5) Add 15cm (6") wide trenches on each side, respecting the length (F), to leave room for the stays.
- 6) Remove all grass from the area which you have just outlined.

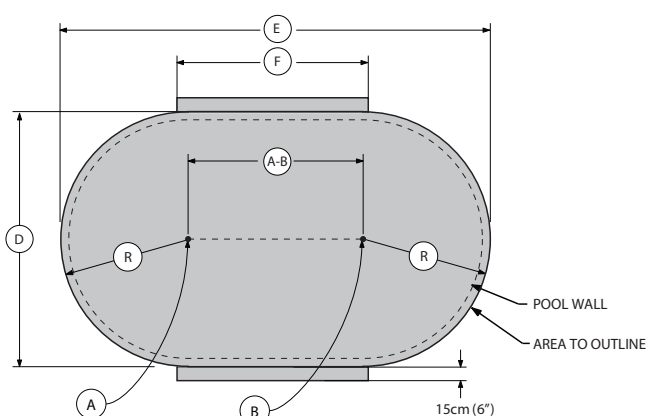


Figure 1.1

Chart 1.1 - Grass removal area (Figure 1.1)

TRUE POOL SIZE	MODEL	DISTANCE (A-B)	RADIUS (R)	WIDTH (D)	TOTAL LENGTH (E)	CORRIDOR (F)
3,05 x 4,72 m (10' x 15' 5-3/4")	10x16'	1,67m (5'-5 3/4")	1,68m (5'6")	3,35m (11')	5,03m (16'-5 3/4")	1,66m (5'-5 1/2")
3,05 x 6,38 m (10' x 20' 11-1/8")	10x21'	3,33m (10'-11")	1,68m (5'6")	3,35m (11')	6,69m (21'-11")	3,33m (10'-11")
3,96 x 5,17 m (13' x 16' 11-3/4")	13x18'	1,18m (3'-10 1/2")	2,13m (7')	4,27m (14')	5,48m (17'-11 3/4")	1,66m (5'-5 1/2")
3,96 x 6,83 m (13' x 22' 5")	13x23'	2,84m (9'-3 3/4")	2,13m (7')	4,27m (14')	7,14m (23'-5")	3,33m (10'-11")
4,57 x 5,99 m (15' x 19' 8")	15x20'	1,42m (4'-7 3/4")	2,44m (8')	4,88m (16')	6,30m (20'-8")	1,66m (5'-5 1/2")
4,57 x 7,65 m (15' x 25' 1-3/8")	15x26'	3,07m (10'-1")	2,44m (8')	4,88m (16')	7,96m (26'-1 1/2")	3,33m (10'-11")
4,57 x 9,33 m (15' x 30' 7-1/4")	15x31'	4,75m (15'-7")	2,44m (8')	4,88m (16')	9,64m (31'-7 1/4")	4,99m (16'-4 1/2")
5,44 x 9,98 m (17' 10" x 32' 9")	18x33'	4,53m (14'-10 1/4")	2,90m (9'-6")	5,79m (19')	10,29m (33'-9")	4,99m (16'-4 1/2")
5,44 x 11,64 m (17' 10" x 38' 2-3/8")	18x38'	6,19m (20'-3 1/2")	2,90m (9'-6")	5,79m (19')	11,95m (39'-2 1/2")	6,66m (21'-10")
5,44 x 13,32 m (17' 10" x 43' 8-1/2")	18x44'	7,87m (25'-9 3/4")	2,90m (9'-6")	5,79m (19')	13,63m (44'-8 1/2")	8,32m (27'-3 1/2")

2 SITE LEVELLING AND EXCAVATION

SITE LEVELLING

For an oval pool, the bottom must absolutely be levelled, using a carpenter's level and a straight plank. Eliminate any protrusions. Ensure that the surface is free of debris such as rocks, wood, etc.

TRENCHES FOR BUTTRESS ASSEMBLIES

- 1) Dig trenches to a depth equal to the sum of the thickness of the patio blocks (2" thick slabs recommended) and the thickness of the buttress assembly beam 8cm (3 1/4"). (Refer to illustrations for trenches layout details).
- 2) Make sure trenches are smooth and levelled without compacting them.
- 3) Place and level patio blocks into trenches. Make sure that the top of the slabs is at a depth of 8cm (3 1/4"). Top of framework must be level with pool area.

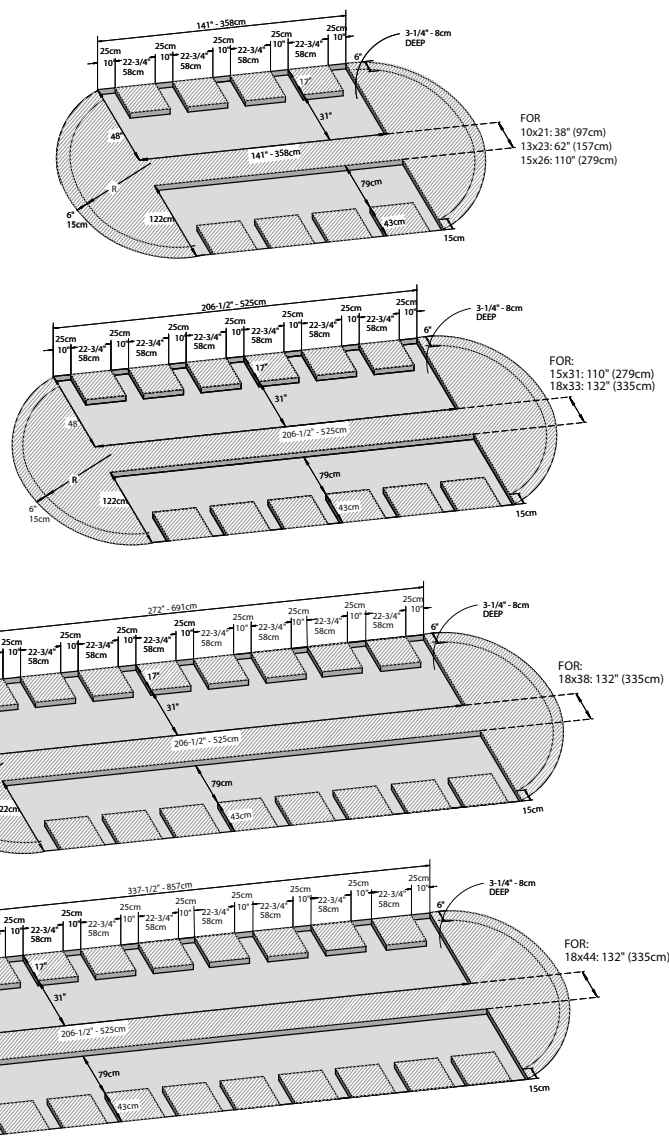


Chart: Sand quantity

POOL SHAPE	10x16	10x21	13x18	13x23	15x20	15x26	15x31	18x33	18x38	18x44
SAND	1 ton		1 - 1/2 tons			2 tons		3 tons		

3 BOTTOM DRAIN ASSEMBLY (if applicable)

Dig a hole 30 cm (12") wide by approximately 25 cm (10") deep in the center of the circumference.

From the center hole to the projected location of the pool motor, dig a 15 cm (6") wide trench. Place the removed soil aside to be used later to cover the hose.

Bottom Drain Assembly

Place teflon around the threaded plug. Screw in drain holes using large pliers. Glue the connector in the appropriate opening. Glue connector in the appropriate opening.

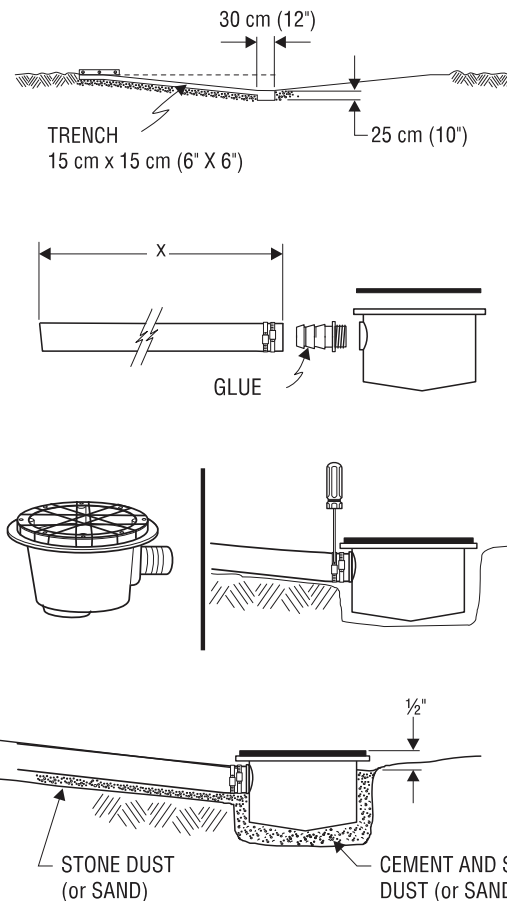
Take one of the two rubber rings and adjust it to the top of the drain, aligning the holes carefully. Secure with strips of adhesive tape to prevent sand from penetrating inside the holes once the drain has been installed.

Secure one end of the long black or white hose inside the drain spout. First apply glue on the drain spout and inside the drain end, then secure with one or two collars.

Cut the hose so that it ends with the stone dust (or sand). Measure the pool radius from the center of the drain, then add 15 cm (6").

Place the assembled bottom drain in the hole so that it is approximately 1.3cm (1/2") higher than the surface soil. Bury the hose, levelling the drain as much as possible. Compact the soil, using your feet and a tampering tool as well.

Mix three (3) shovels of stone or sand dust with one half shovel of cement, adding a small quantity of water, then pour the cement around the drain until it reaches 1.3 cm (1/2") from the top.



4 STRAIGHT SECTION BUTTRESS ASSEMBLY

1) Refer to Illustration 4.1. To assemble, join splice brackets (R) to the horizontal beam (Q) using the bolt 1/2" X 3" X #13 (12.7 mm x 76.2 mm) (U), nuts (UU) and washers (V). Remember to insert a spacer (T) inside the beams aligned to each bolt.

2) Refer to Illustration 4.2. Assemble the post using bolts 1/2" X 3" X #13 (12.7 mm X 76,2 mm) (U), nuts (UU) and washers (V). Remember to insert a spacer (T) and two washers (V) inside the beam aligned to each bolt.

3) Refer to Illustration 4.3. Cover the bolt heads with bolt caps (W) and insert the styrofoam caps (X) at both ends of foot beam.

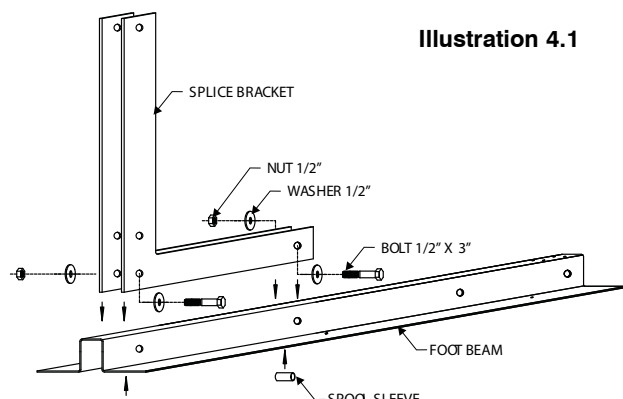


Illustration 4.1

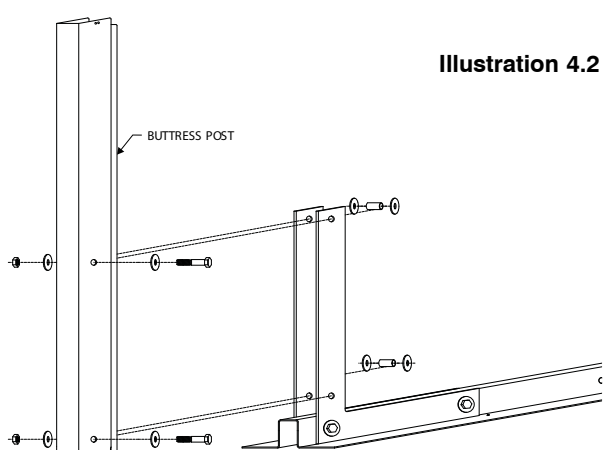


Illustration 4.2

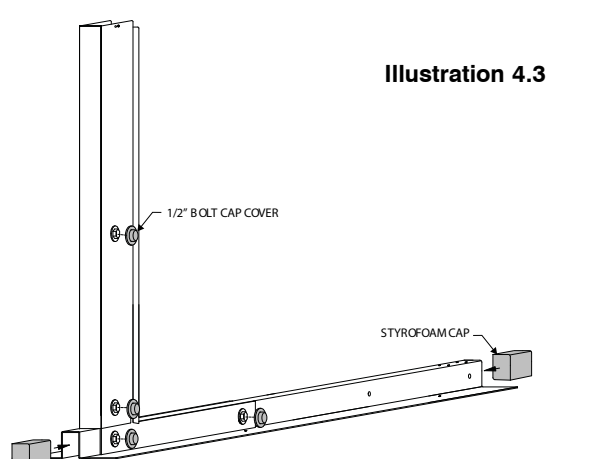


Illustration 4.3

5 BOTTOM TRACKS (STRAIGHT) AND PRESSURE PLATES

1) Position the buttress pillars assembled in Step 4 on the patio blocks in the trenches previously dug.

2) Refer to Illustration 5.1 : Once the buttress pillars are placed in the trenches, assemble the straight sections bottom tracks (J) between the pillars on the foot beams.

3) Refer to Illustration 5.2 : Fix the pressure plates between foot beams using 4 standard screws #14.

Illustration 5.1

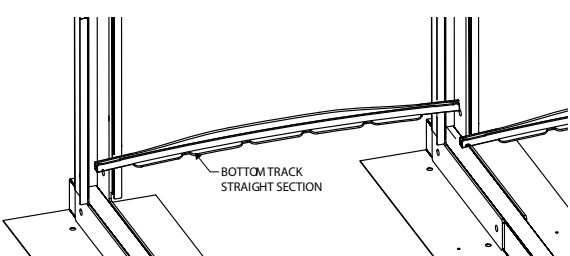
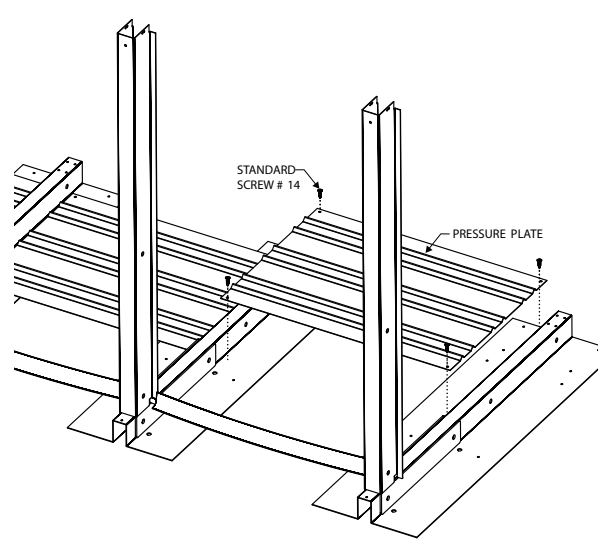


Illustration 5.2



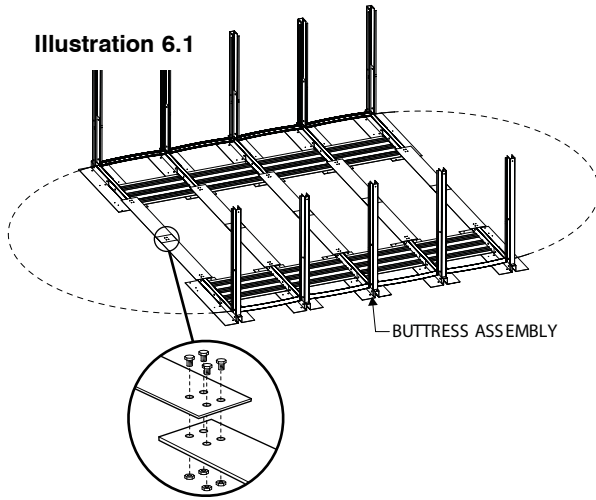
6 TENSION STRAPS ASSEMBLY

1) Study illustrations and chart carefully. You are now ready to assemble the metallic tension straps. Refer to indications on the chart for the exact number of tension straps and sections per straps according to their respective pool size.

2) Refer to Illustration 6.1: If there is more than one metallic strap per tension strap rows, assemble the straps together using 4 bolts and nuts (BB) 1/4" #20 X 5/8" (6,35 mm X 15,88 mm), taking care of placing the bolt head on top.

3) Attach the assembled tension straps to foot beams on both sides, using 4 standard screws #14.

Illustration 6.1



Chart

POOL SIZE	10x16	10x21	13x18	13x23	15x20	15x26	15x31	18x33	18x38	18x44
TENSION STRAPS QUANTITY (TOTAL)	3	5	6	10	6	15	21	21	27	33
ROWS TO ASSEMBLE	3	5	3	5	2	5	7	7	9	11
STRAPS PER ROW	1	1	2	2	3	3	3	3	3	3

7 ROUND SECTIONS BOTTOM TRACKS ASSEMBLY

Start with round sections, refer to illustration 7.1 :

Place the end of the first round section bottom track on the foot beam of the last pillar of the straight section. At the other end, place the first foot plate of the round section.

Round section, refer to Illustration 7.1 and 7.2 :

Using the round section bottom tracks and the foot plates, start with the first plate of the round section. Repeat this procedure until the half circle is completed. Lock the track to the right pool diameter by snapping the key on the corresponding posts.

Refer to Illustration 7.3. :

Before going to next step, make sure that the centre of the pool is properly squared and metallic tension straps are stretched.

Illustration 7.3

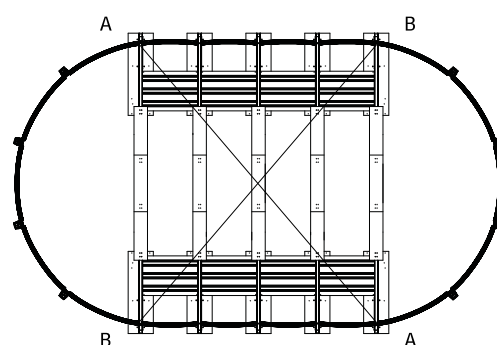


Illustration 7.1

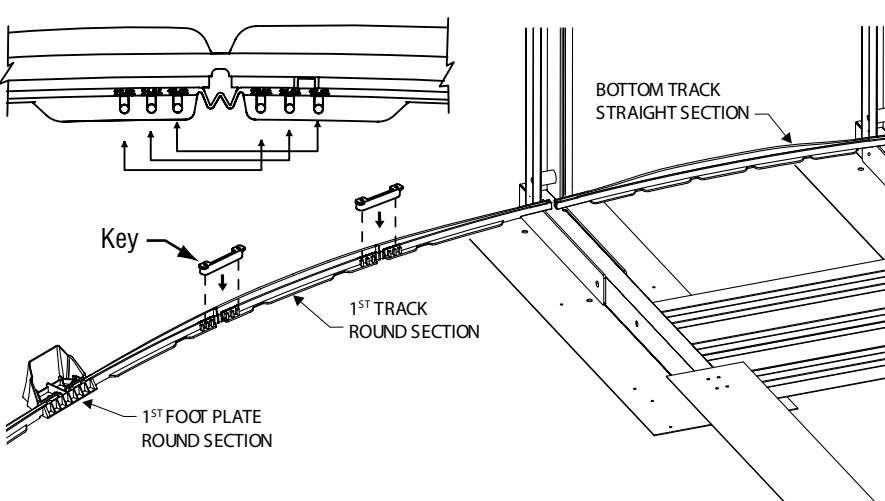
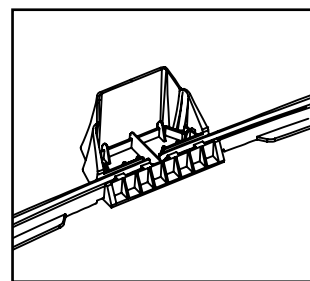


Illustration 7.2

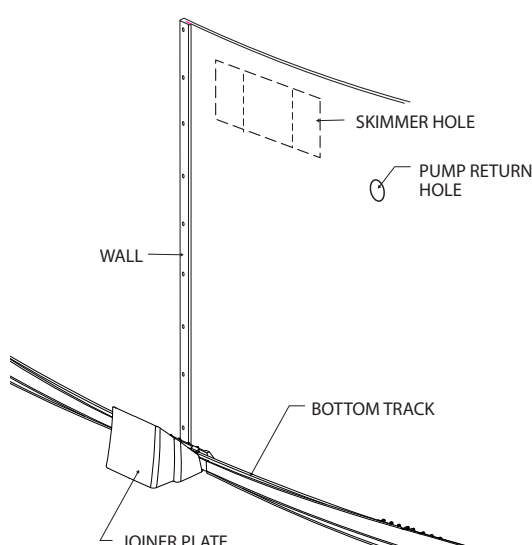
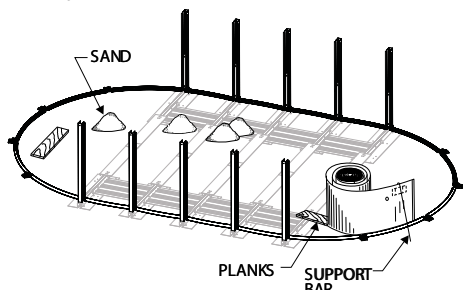


8 WALL INSTALLATION

1) Dump the sand.

2) Choose the filter location beside a round section (never a straight section). The starting point will be at that location so that the skimmer and return holes are as close as possible to the filtration system.

3) Before uncoiling the wall, make sure the pre-punched holes for the skimmer and pump return are at the top and facing the planned location of your filter.

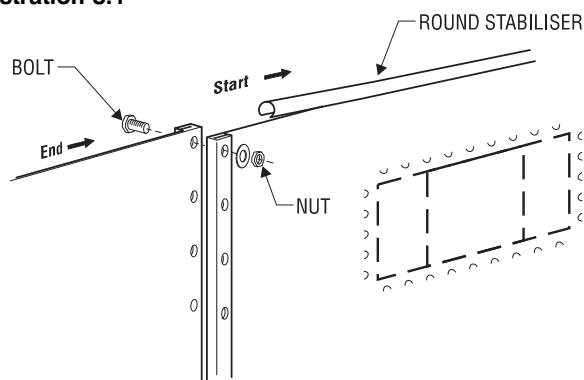


8 WALL INSTALLATION (continued)

Begin inserting the wall into the bottom wall tracks in the middle of a joiner plate. At first, the wall is kept in place with one or two support bars (or extra persons). One person uncoils the wall on a beam or a plank, while a second person inserts it in the bottom wall tracks. Do not uncoil more than 3 m (10') of wall before you install a support bar to reinforce the structure.

Once the wall is completely uncoiled, you may find that it is too long or that both ends do not meet by a few centimetres. If such is the case, you must gently push the wall in or out. If this does not work, roll up the wall again, realign the grooves and uncoil the wall again. If the spread is too wide, measure the wall and check it against the following chart.

Illustration 8.1

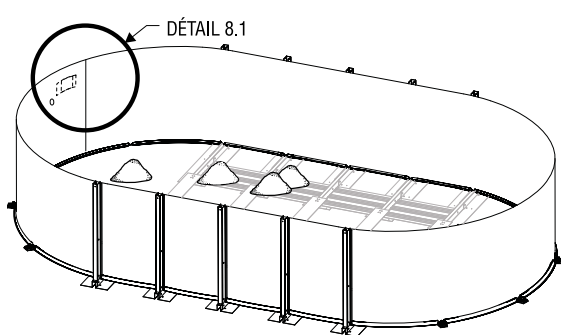


Chart

MODEL	10x16	10x21	13x18	13x23	15x20	15x26	15x31	18x33	18x38	18x44
ACTUAL LENGHT OF THE WALL	42' 4-3/4" (12,92m)	53' 3-3/4" (16,25m)	48' 11" (19,91m)	59' 8" (18,24m)	56' 6" (17,22m)	67' 5" (20,55m)	78' 5" (23,90m)	86' (26,21m)	96' 11" (29,54m)	107' 11-1/2" (32,91m)

When you prepare to join the ends of the wall, make sure the end that is reinforced by the fold is inside the circle, facing the liner and that the other end faces outward (Illustration 8.1).

When the wall joint is secured, install the round stabilisers on top of it.



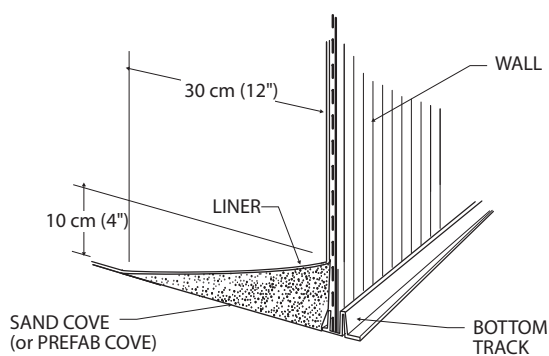
IMPORTANT: Due to the enormous pressure exerted by the water on the steel wall, it is absolutely essential that all the bolts are screwed in tight and no hole is left open. All bolt heads must be inside with washer and nut outside. Cover all bolt heads with heavy fabric tape.

9 SAND BASE FINISHING

You can now spread approximately 10 cm (4") of compacting sand all around the inside base of the wall in order to protect the liner from the cutting edges of the bottom wall tracks and the stone dust (if applicable). Or install a prefabricated cove, if available.

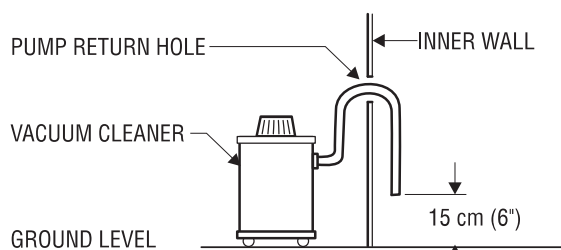
SAND BASE FINISHING

Level finishing sand one last time. Make sure that any sharp stones, debris or roots have been removed from the surface. For better protection, spray sand with water and pack it once more until the base is nicely even.

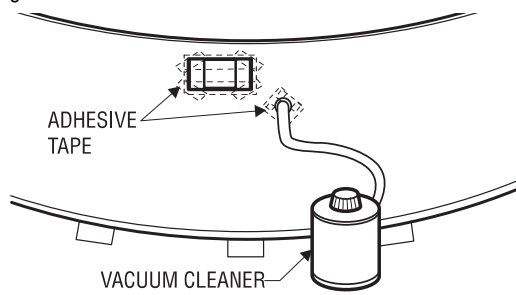


10 VINYL LINER INSTALLATION

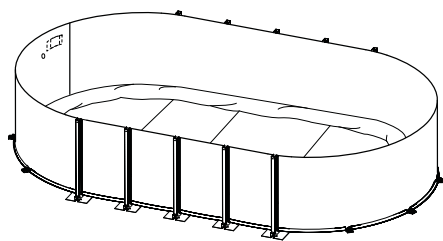
Before pulling the liner up against the wall, insert a vacuum cleaner hose down into the pump return hole to approximately 15 cm (6") from the ground.



Maintain the hose in place with adhesive tape. Don't forget to block the skimmer hole with adhesive tape to prevent air from leaking in.



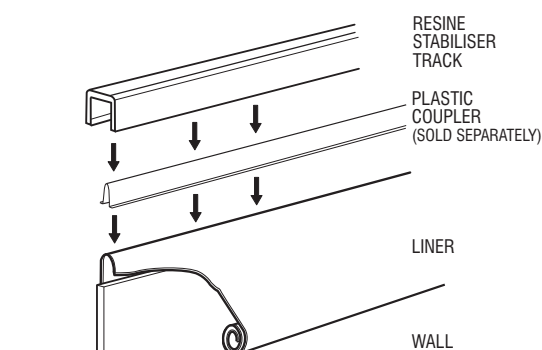
Place the unfolded liner in the center of the pool area at right angles with the skimmer hole. Make sure you wear light, flat-soled shoes to walk on the sand as the slightest heel mark could be visible once the pool is filled.



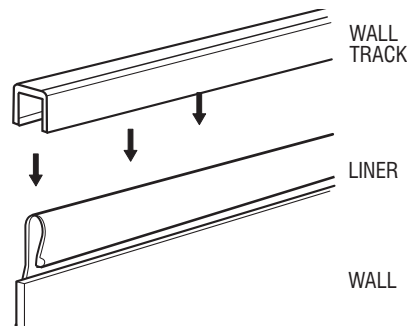
Carefully unfold the liner, bringing the bottom-sidewall seam close to the wall base. Make sure that the side with the protruding seams faces downward or that the patterned side faces upward.

Lift up a section of the liner over the top of the wall leaving a 10 cm to 15 cm (4" to 6") fringe outside the wall. Secure the liner with a plastic coupler. Install the resin stabiliser track on the wall then install the joiner plates on top of each upright.

At this point, the liner may be too tight, making it difficult to drape the overlap or, on the contrary, too loose. In such cases, you will have to redistribute the tension in the liner by removing some of the couplers and readjusting the liner.



Installation detail of the u-bead liner.



Hang the liner on the top of the wall and install the square stabiliser to secure.

Start the vacuum cleaner to allow the liner to adhere to the wall and check for excess tension at the bottom or for wrinkles. Adjust the liner by removing couplers if needed, to lift or lower it in order to ensure a perfect fit.

Fill the pool up to the base of the wall before stopping and removing the vacuum cleaner.

PUMP RETURN FITTING

After you remove the vacuum cleaner, you may install the return fitting. Place the return fitting ring against the liner and adjust it so that it is perfectly aligned with the hole in the wall.

When the ring is properly positioned and secured, cut the liner in the middle of the ring. Insert the return fitting from the inside, placing the first gasket between the return fitting and the liner and the second between the wall and the liner. Then tighten the outside ring with large pliers, taking care not to crease the liner.

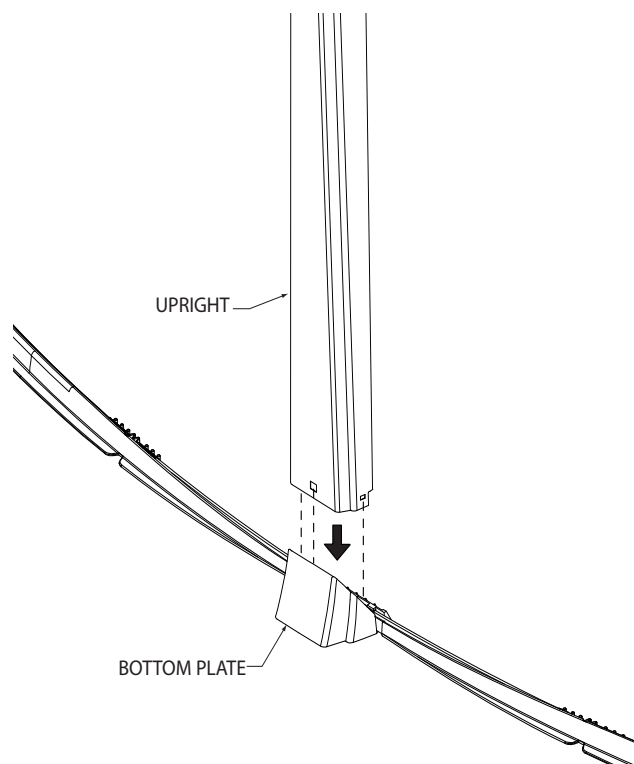
BOTTOM DRAIN (optional)

Find the holes through the middle of the liner and screw the ring and gasket in against the liner before cutting the liner in the middle of the ring, then screw on the drain cover.

11 BUTTRESS POST INSTALLATION

Clip the uprights to the bottom joiner plates.

Make sure the post is well snapped into the bottom plate.

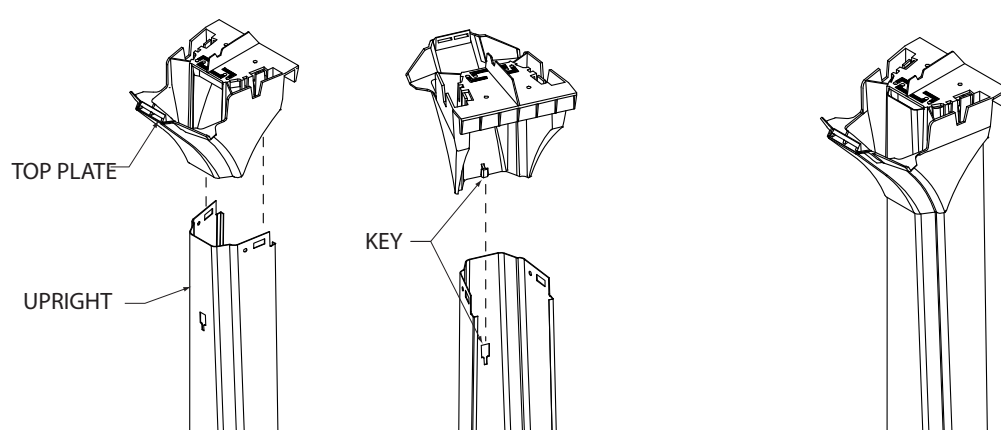


12 BUTTRESS POST TOP PLATE (STRAIGHT SECTIONS)

Clip the top plate into the upright.

Make sure the top plate is well snapped into the post.

Make sure the T shaped key is well align in the upright front hole.

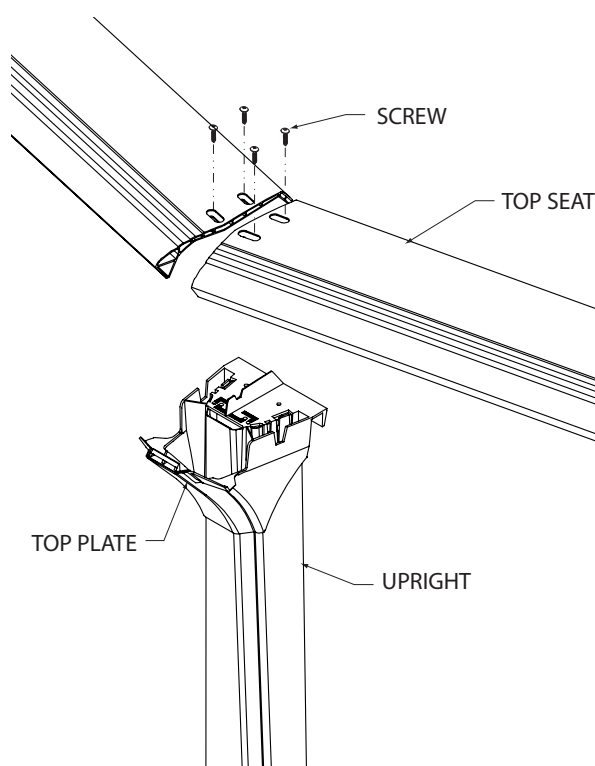


13 TOP SEAT INSTALLATION

Place the top seat on the upper side of the upright.

Align the holes on top seat with the right pool size on the top plate.

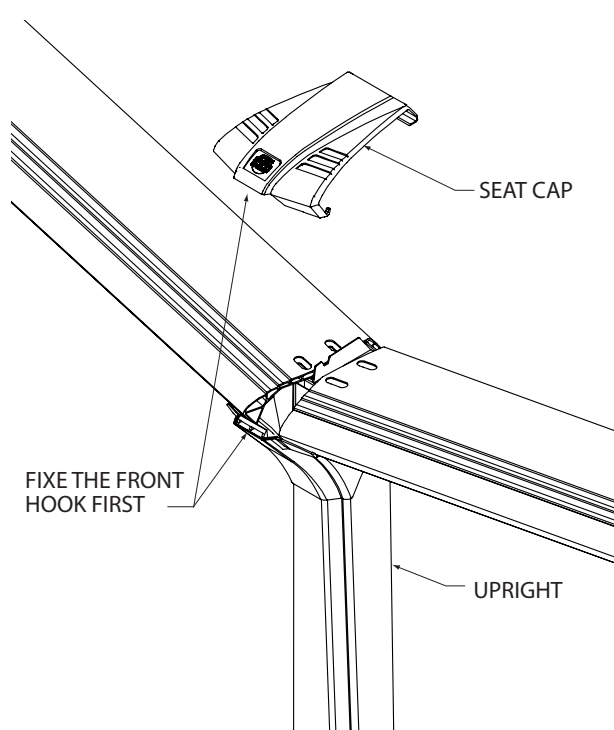
Secure the top seat with two (4) screws.



14 SEAT CAP INSTALLATION

Snap the seat cap stating out side the top seat.

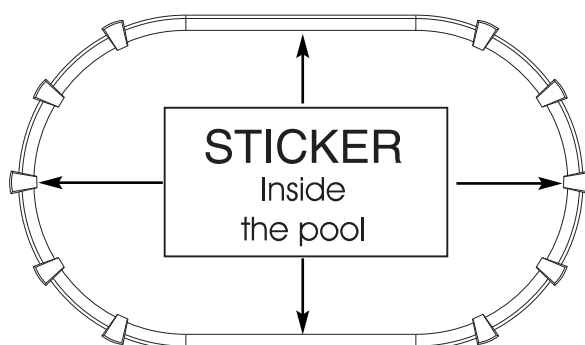
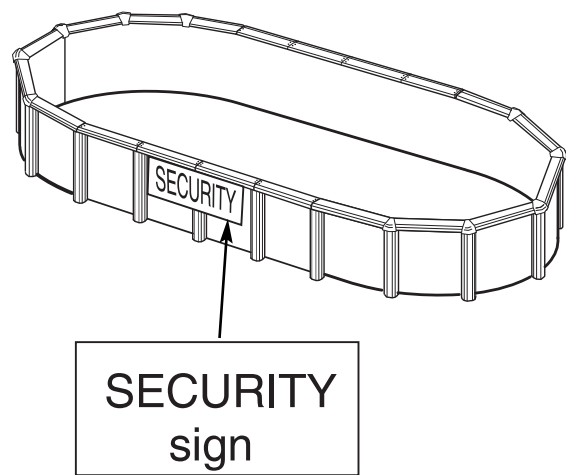
Clip the front nose of the seat in side the top seat.



15 SECURITY SIGNS INSTALLATION

Position the Safety procedures panel on the outside of the pool. This panel must be at the most visible place from the yard on your pool.

Place the four (4) safety stickers inside the pool in a way that it's seen from any entry point of the swimmer (See positioning drawing).



16 FILTRATION SYSTEM ASSEMBLY

Note: See 'Safety Information' Manual, Page 1.

As described in the manual, all components of the filtration system should be placed to prevent a child to climb on top and get access to the pool.

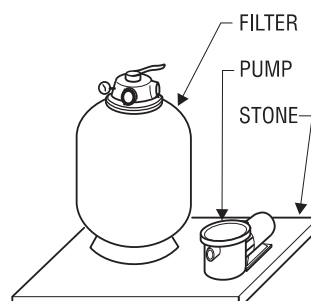
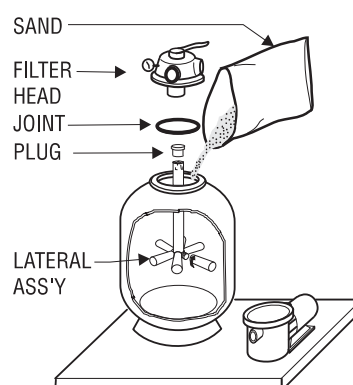
Using a little bit of stone dust (or sand), place at level a patio stone 61 cm x 76 cm (24" x 30") before installing the motor and filter

Position the motor on the stone and insert the two nozzles to connect the hoses.

Then, install the filter tank. Adjust the lateral assembly pro-perly in its channel. It is sometimes necessary to install the laterals.

Patch the center hole of flow into the lateral assembly using the plug to allow filtering sand to flow into the tank.

Remove the plug. Install the joint in the cavity and secure the filter head by placing the back wash position on opposite side of the pool.



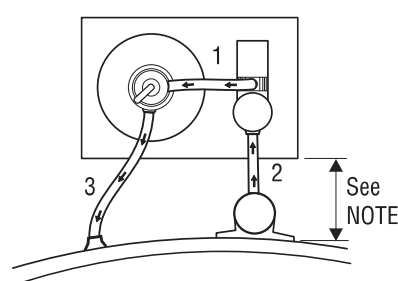
16 FILTRATION SYSTEM ASSEMBLY

Install necessary nozzles, then connect hoses using collars.

1. The first hose runs from the top of the pump to the side of the filter head;
2. The second one goes from the pump to the skimmer (or to the bottom drain valve);
3. The third goes from the front of the filter head to the water return or from the front of the chlorinator to the water return.

A back wash hose may be placed behind the filter head.

If there is a chlorinator and/or heat pump, they must be assembled at the filter exit.

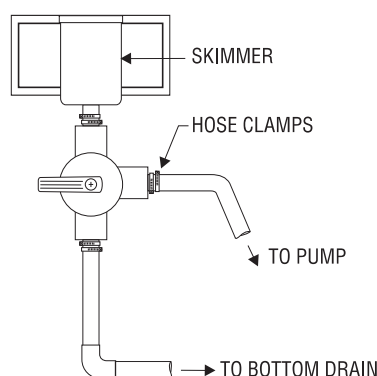


17 DRAIN VALVE ASSEMBLY (if applicable)

Insert threaded nozzles, if applicable, in order to be able to screw the valve in the skimmer.

Connect the drain hose to the bottom nozzle. Connect the motor hose to the side nozzle.

The threads on all threaded nozzles must be covered with teflon tape prior to installing in order to prevent water leaks. Teflon is applied to the threads as follows: little or none on the first few threads (to facilitate introduction) and several layers toward the end threads (for better watertightness).



18 PARTS LIST

ITEM	DESCRIPTION	10x16	10x21	13x18	13x23	15x20	15x26	15x31	18x33	18x38	18x44
	Number of curved section	8	8	10	10	12	12	12	14	14	14
	Number of straight section	4	8	4	8	4	8	12	12	16	20
AA	POOL WALL (finished length, inch)	42 4-3/4" (12,92m)	53 3-3/4" (16,25m)	48 11" (19,91m)	59 8" (18,24m)	56 6" (17,22m)	67 5" (20,55m)	78 5" (23,90m)	86" (26,21m)	96 11" (29,54m)	107 11-1/2" (32,91m)
BB	BOLT & NUT FOR 52" (OR 54") WALL	25 (29)	25 (29)	25 (29)	25 (29)	25 (29)	25 (29)	25 (29)	25 (29)	25 (29)	25 (29)
CC	POOL LINER	1	1	1	1	1	1	1	1	1	1
DD	PLASTIC COUPLER (SOLD SEPARATELY)	1	1	1	1	1	1	1	1	1	1
A	TOP SEAT - ROUND SECTIONS	8	8	10	10	12	12	12	14	14	14
B	TOP SEAT - STRAIGHT SECTIONS	4	8	4	8	4	8	12	12	16	20
C	FOOT PLATE	6	6	8	8	10	10	10	12	12	12
D	UPRIGHT 52" or UPRIGHT 54"	6	6	8	8	10	10	10	12	12	12
E	TOP PLATE ROUND SECTION	6	6	8	8	10	10	10	12	12	12
F	SEAT CAP	12	16	14	18	16	20	24	26	30	34
G	BTM TRACK - ROUND SECTIONS	4	4	6	6	8	8	8	10	10	10
J	BTM TRACK - STRAIGHT SECTIONS	4	8	4	8	4	8	12	12	16	20
K	TOP TRACK - ROUND SECTIONS	8	8	10	10	12	12	12	14	14	14
L	TOP TRACK - STRAIGHT SECTIONS	4	8	4	8	4	8	12	12	16	20
BUTTRESS ASSEMBLY											
O	BUTTRESS POST	6	10	6	10	6	10	14	14	18	22
P	TOP PLATE OVALE SECTION	6	10	6	10	6	10	14	14	18	22
Q	FOOT BEAM	6	10	6	10	6	10	14	14	18	22
R	SPLICE BRACKET	12	20	12	20	12	20	28	28	36	44
S	PRESSURE PLATE	4	8	4	8	4	8	12	12	16	20
T	SPOOL SLEEVE	24	40	24	40	24	40	56	56	72	88
U	BOLT 1/2" X 3" X #13 (12,7 mm X 76,2 mm)	24	40	24	40	24	40	56	56	72	88
UU	NUT 1/2" (12,7 mm)	24	40	24	40	24	40	56	56	72	88
V	WASHER 1/2" (12,7 mm)	72	120	72	120	72	120	168	168	216	264
W	BOLT CAP COVER	24	40	24	40	24	40	56	56	72	88
X	FOOT BEAM STYROFOAM CAP	12	20	12	20	12	20	28	28	36	44
Y	TENSION STRAP	3	5	6	10	6	15	21	21	27	33
BB	1/4" #20 X 5/8" (6,35 mm X 15,88 mm) SCREW & FLANGE NUT			12	20	24	40	56	56	72	88
Z	STANDARD SCREW (SCREW #14, 1" LENGTH)	100	156	108	164	116	172	228	236	292	348

