

Pool Breakdown
Cozumel 15' Round 54"
NB1938

<u>FEATURES:</u> Round Size: 15q Depth: 54+ 35 Year Warranty	<u>STRUCTURE COMPOSITION:</u> Resin Top Rail Resin Seat Covers Steel Uprights Steel Sidewall
---	---

	Qty	Carton #	Carton Content Description
<input type="checkbox"/>	1	1554-10MV-EX-4	COZUMEL . 10+VERTICAL; VERTICAL EXTENSION; SHEET METAL SCREW; WARRANTY; SAFETY DECALS; PARTS LIST+FRAME INSTRUCTION; ROUND INSTRUCTION
<input type="checkbox"/>	1	15-5/8RAIL-2	COZUMEL . 5/8+RAIL
<input type="checkbox"/>	1	1554-10R-EX-2	COZUMEL . 10+TOP SEAT
<input type="checkbox"/>	1	15-10P-EX-3	COZUMEL . SEAT COVER; SEAT COVER BRACKET; RESIN UPPER JOINT; RESIN LOWER JOINT; SHEET METAL SCREW; SEAT COVER CAP
<input type="checkbox"/>	1	1554-SNS-W/WALL	COZUMEL . PLASTIC EDGING; TRUSS HEAD SCREW; REINFORCING WASHER; NUT; WALL

Carton Breakdown

Cozumel 15' Round 54"

NB1938

	Key #	Qty	Item #	Mfg Part #	Part Description
FRAME CARTON # 1554-10MV-EX-4					
<input type="checkbox"/>	1	10	NBP4000	2391	10in Vertical (52+High)
<input type="checkbox"/>	1	10	NBP4001	2392	Vertical Extension (54+High Onlu)
<input type="checkbox"/>	3	30	NBP1203	0341*	#12 x 3/4 Sheet Metal Screw (54+High Onlu)
<input type="checkbox"/>	---	1	-----	0022	Warranty
<input type="checkbox"/>	---	1	-----	0023	Safety Decals
<input type="checkbox"/>	---	1	-----	0024	Parts List + Frame Instruction
<input type="checkbox"/>	---	1	-----	0001	Round Instructions
RAIL CARTON # 15-5/8RAIL-2					
<input type="checkbox"/>	4	20	NBP1025	1615	5/8in Rail L=1431mm (56-3/8+)
FRAME CARTON # 1554-10R-EX-2					
<input type="checkbox"/>	6	10	NBP4002	1111	10in Resin Top Seat L=1444mm (56-7/8+)
FRAME CARTON # 15-10P-EX-3					
<input type="checkbox"/>	2	10	NBP4006	2192	10in Resin Joint - Upper
<input type="checkbox"/>	7	10	NBP4009	2492	10in Seat Cover Bracket
<input type="checkbox"/>	8	10	NBP4008	2491	10in Seat Cover
<input type="checkbox"/>	10	10	NBP4007	2292	10in Resin Joint - Lower
Seat Cover Assembly Bolt Package (Order # NBP1203)					
<input type="checkbox"/>	3	150	NBP1203	0341*	#12 Sheet Metal Screw
<input type="checkbox"/>	3	10	NBP1203	2402*	Resin Seat Cover Cap

*These part #s are not available to purchase separately. They must be purchased as the Seat Cover Assembly Bolt Package, Order # NBP1203

Carton Breakdown

Cozumel 15' Round 54"

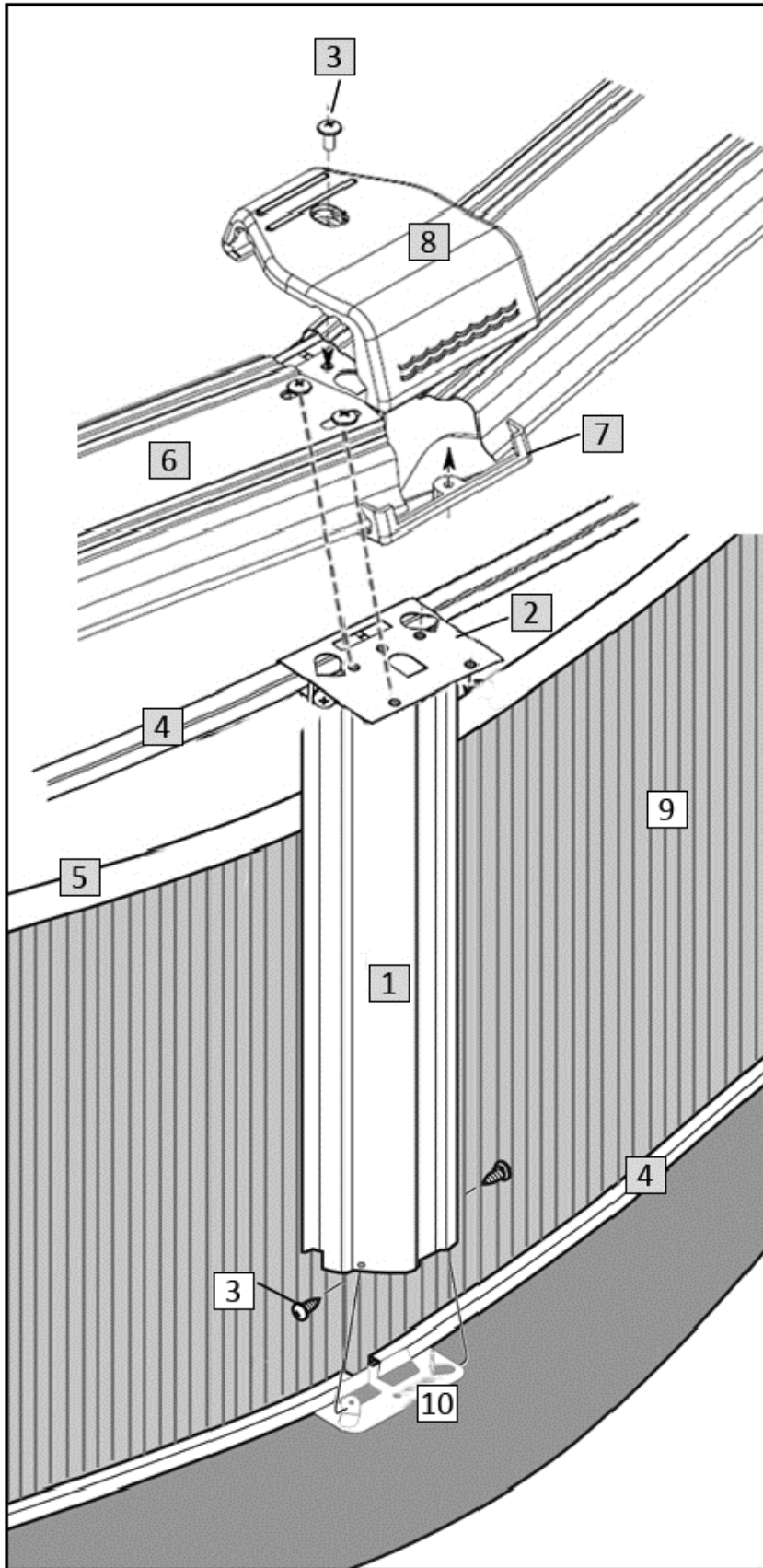
NB1938

Key #	Qty	Item #	Mfg Part #	Part Description	
WALL CARTON # 1554-SNS-W/WALL					
<input type="checkbox"/>	5	11	NL107	8100	Plastic Edging
<input type="checkbox"/>	9	1	PC5264	54+Wall	Steel Sunset Gray Wall
54" Wall Joint Bolt Package (Part # 0114, Order # NBP1067)					
<input type="checkbox"/>	3	27	NBP1067	0513*	¼+x ½+Truss Head Screw
<input type="checkbox"/>	3	53	NBP1067	0411*	¼+Reinforcing Washer
<input type="checkbox"/>	3	27	NBP1067	0611*	¼+Nut

*These part #s are not available to purchase separately. They must be purchased as the Wall Joint Bolt Package, Order # NBP1067

Cozumel 15' Round 54"

NB1938



Key #	Part Description	Item #
1	10in Vertical	NBP4000
2	Resin Upper Joint	NBP4006
3	Seat Cover Hardware	NBP1203
3	Wall Joint Hardware	NBP1067
4	5/8+Rail	NBP1025
5	Plastic Edging	NL107
6	10in Top Seat	NBP4002
7	10in Seat Cover Bracket	NBP4009
8	10in Seat Cover	NBP4008
9	Wall	PC5264
10	Resin Lower Joint	NBP4007