

# Pool Breakdown

## Galaxy 12'x20' Oval 52"

### NB1718

<p><b><u>FEATURES:</u></b>                  Oval                  Size: 12x20q                  Depth: 52+                  15 Year Warranty</p>	<p><b><u>STRUCTURE COMPOSITION:</u></b>                  Rugged Steel Frame                  Polymer Seat Caps                  Protective Wall Coatings</p>
--	--

	Qty	Carton #	Carton Content Description
<input type="checkbox"/>	1	<b>201252-CPL-1R BOX A</b>	GALAXY . 1 INCH VERTICAL; 1 INCH RAIL; 5/8 INCH RAIL, CAP JOINT; LOWER JOINT; HARDWARE; INSTRUCTIONS
<input type="checkbox"/>	1	<b>201252-1R-WS-2 BOX B</b>	GALAXY . WALL; PLASTIC EDGING; 52+WALL JOINT PACKAGE
<input type="checkbox"/>	1	<b>201252-RG11-WS-A</b>	GALAXY (BRACED OVAL PARTS) . SIDE VERTICAL; BRACE; HORIZONTAL SUPPORT; PRESSURE PLATE; END & MIDDLE STRAPS; HARDWARE; INSTRUCTIONS

# Carton Breakdown

## Galaxy 12'x20' Oval 52"

### NB1718

Key #	Qty	Item #	Mfg Part #	Part Description	
<b>FRAME CARTON # 201252-CPL-1R</b>					
<input type="checkbox"/>	1	10	NBP1113	2322	1in Vertical (52+High)
<input type="checkbox"/>	3	10	-----	0513	1/4+x 1/2+Truss Head Screw
<input type="checkbox"/>	3	22	-----	0344	5mm x 16mm Sheet Metal Screw
<input type="checkbox"/>	4	14	NBP1024	1212	5/8in Rail L=1130mm (44-1/2+) 12ft
<input type="checkbox"/>	6	14	NBP1040	1412	1in Top Rail (12ft dia. Black)
<input type="checkbox"/>	8	10	NBP1116	2121	1in Cap Joint
<input type="checkbox"/>	10	10	NBP1117	2211	1.5in & 3.5in Lower Joint
<input type="checkbox"/>	13	4	NBP1121	2412	1in Side Seat Cover
<input type="checkbox"/>	16	4	NBP1031	3233	5/8in Side Lower Rail Joint
<input type="checkbox"/>	---	1	-----	0022	Warranty
<input type="checkbox"/>	---	1	-----	0023	Safety Decals
<input type="checkbox"/>	---	1	-----	0024	Parts List + Frame Instruction
<input type="checkbox"/>	---	1	-----	0025	Safety Booklet
<b>WALL CARTON # 201252-1R-WS-2</b>					
<input type="checkbox"/>	5	13	NL107	8100	Plastic Edging
<input type="checkbox"/>	9	1	PC1122	52+Wall	12x20q52+Wall
<b>52" Wall Joint Bolt Package (Part # 0113 / Order # NBP1021)</b>					
<input type="checkbox"/>	3	26	NBP1021	0513*	1/4+x 1/2+Truss Head Screw
<input type="checkbox"/>	3	51	NBP1021	0411*	1/4+Reinforcing Washer
<input type="checkbox"/>	3	26	NBP1021	0611*	1/4+Nut

\*These part #s are not available to purchase separately. They must be purchased as the Wall Joint Bolt Package, Order # NBP1021

# Carton Breakdown

## Galaxy 12'x20' Oval 52"

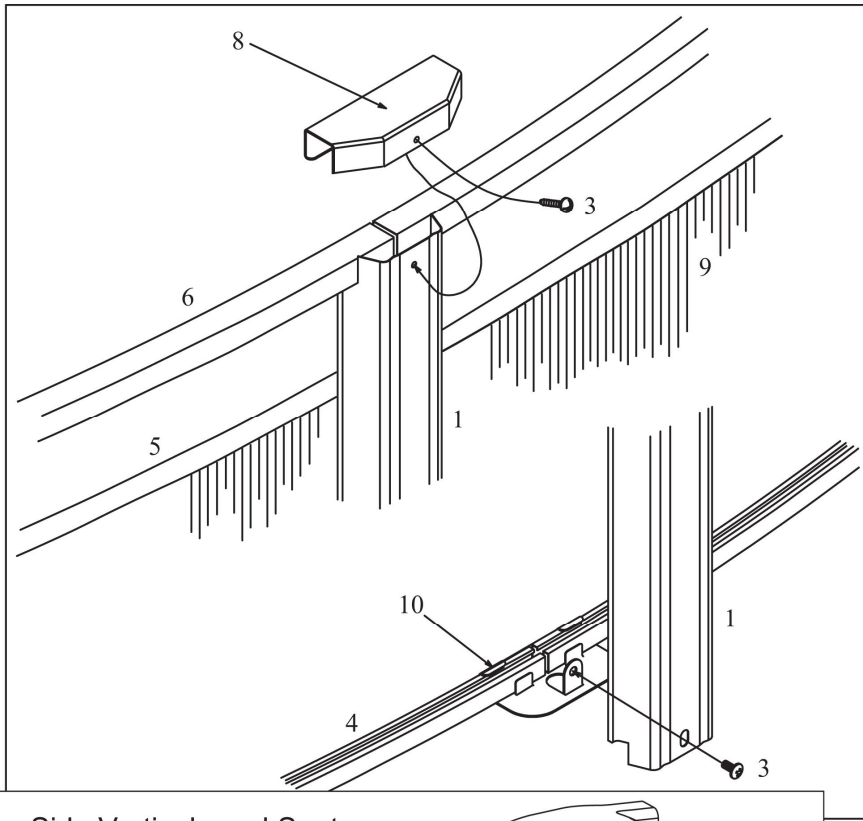
### NB1718

Key #	Qty	Item #	Mfg Part #	Part Description	
<b>FRAME CARTON # 201252-RG11-WS-A</b>					
<input type="checkbox"/>	12	4	NBP1006	3314	Side Vertical (for 52+Wall)
<input type="checkbox"/>	14	4	NBP1209	4106	Brace (for 52+Wall)
<input type="checkbox"/>	15	4	NBP1123	5241	Horizontal Support (for 52+Wall)
<input type="checkbox"/>	17	2	NBP1014	7254	Middle Strap L=835mm (32-7/8+)
<input type="checkbox"/>	17	4	NBP1012	7224	End Strap L=1400mm (55-1/8+)
<input type="checkbox"/>	18	4	NBP1011	6254	Pressure Plate L=680mm (26-3/4+)
<input type="checkbox"/>	---	1	-----	-----	Braced Oval Pool Instructions
<b>Braced Oval Frame Bolt Package (Part # 0104 / Order # NBP1000) QTY 2</b>					
<input type="checkbox"/>	11	13	NBP1000	0923*	M8 x 20 Hex Head Bolt
<input type="checkbox"/>	11	13	NBP1000	0423*	10.5mm x 21mm x 2.0mm Plain Washer
<input type="checkbox"/>	11	13	NBP1000	0623*	M8 Nut
<input type="checkbox"/>	11	8	NBP1000	0341*	#12 Sheet Metal Screw
<b>Strap Bolt Package (Part # 0105 / Order # NBP1001) QTY 2</b>					
<input type="checkbox"/>	11	22	NBP1001	0623*	M8 Nut
<input type="checkbox"/>	11	22	NBP1001	0923*	M8 x 20 Hex Head Bolt

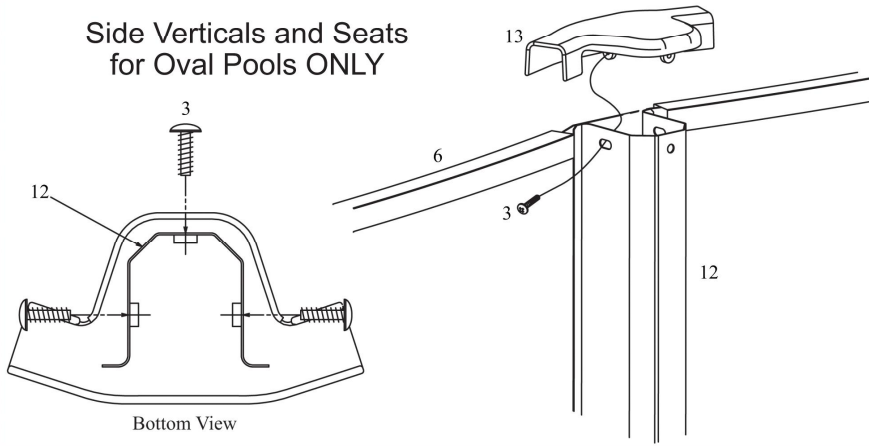
\*These part #s are not available to purchase separately. They must be purchased as part of corresponding Bolt Package.

# Galaxy 12'x20' Oval 52"

NB1718



Side Verticals and Seats  
for Oval Pools ONLY

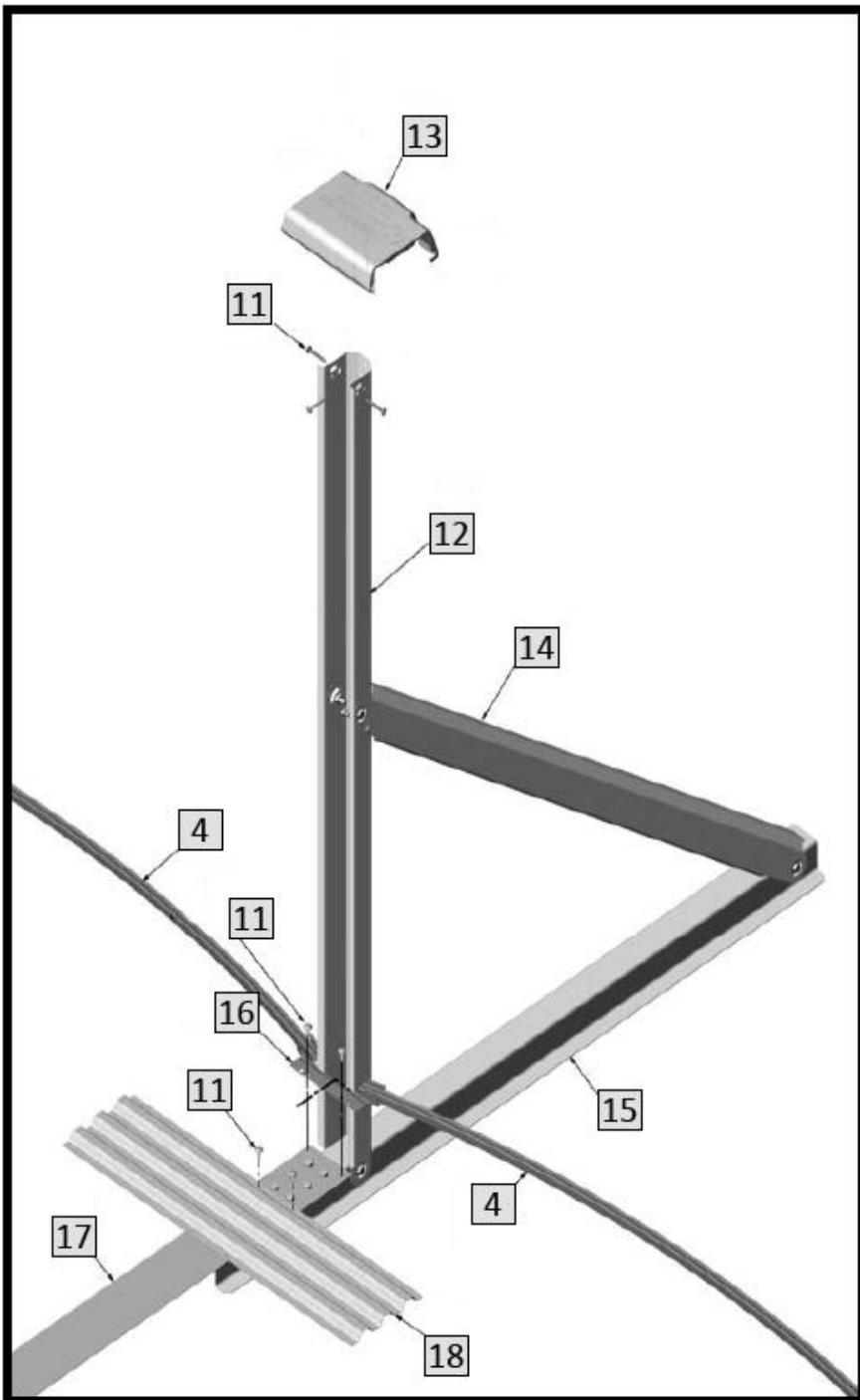


Bottom View

Key #	Part Description	Item #
1	1in Vertical	NBP1113
3	Hardware	-----
3	Wall Joint Hardware	NBP1021
4	5/8+Rail	NBP1024
5	Plastic Edging	NL107
6	1in Top Rail	NBP1040
8	1in Cap Joint	NBP1116
9	Wall	NBP1122
10	Lower Joint	NBP1117
12	Side Vertical	NBP1006
13	1in Side Seat Cover	NBP1121

# Galaxy 12'x20' Oval 52"

NB1718



Key #	Part Description	Item #
4	5/8+Rail	NBP1024
11	Braced Oval Frame Bolt Hardware	NBP1000
11	Strap Bolt Hardware	NBP1001
12	Side Vertical	NBP1006
13	1in Side Seat Cover	NBP1121
14	Brace	NBP1209
15	Horizontal Support	NBP1123
16	Side Lower Rail Joint	NBP1031
17	Middle Strap	NBP1014
17	End Strap	NBP1012
18	Pressure Plate	NBP1011