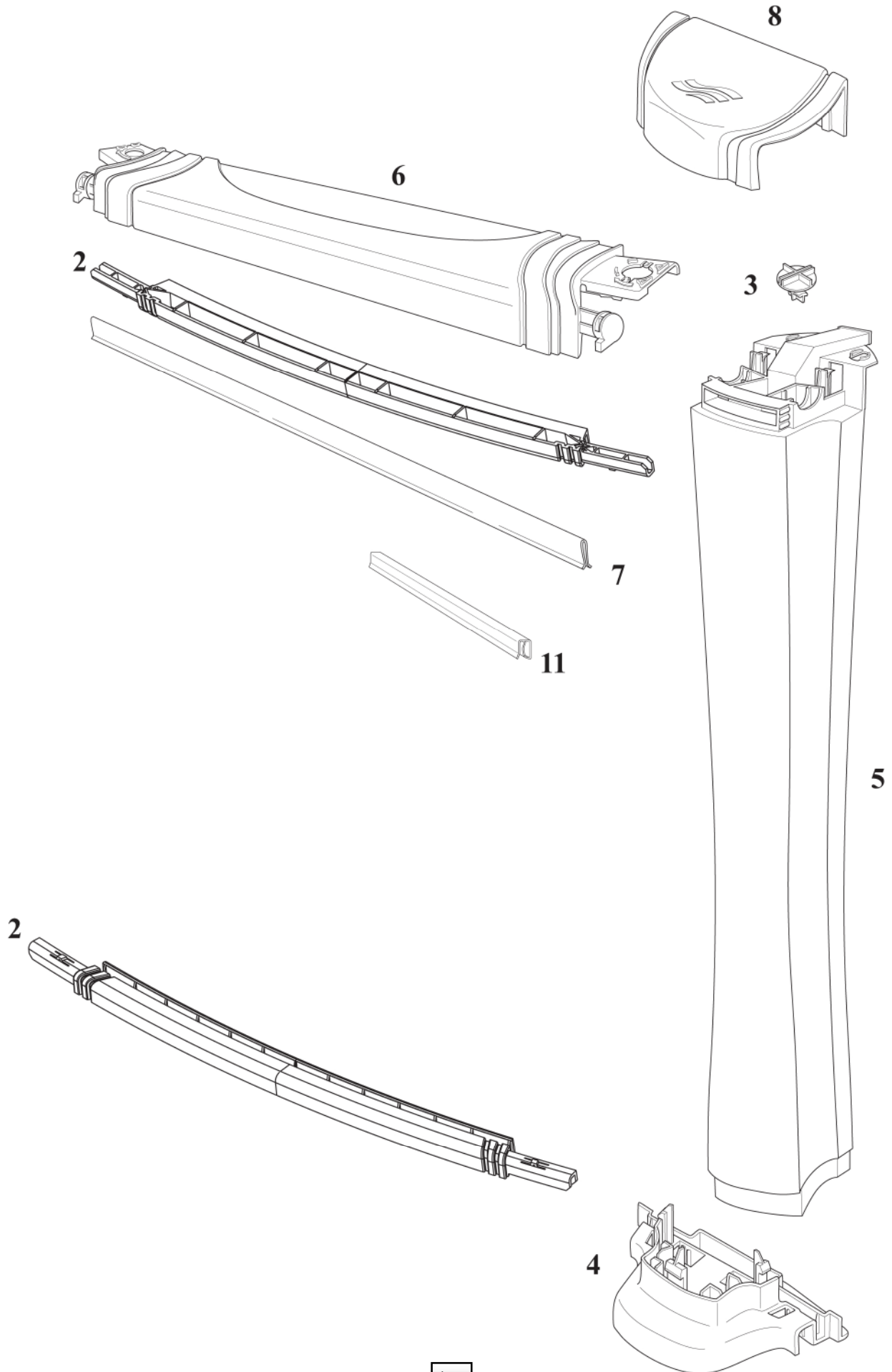


Matrix

Round





Product Description:	Matrix Round	Revised: Apr 2011
Product Code	PMAT-54RRRRRRS1	

Quantity Required for Installation (by Pool Size)

Found in Ctn. Beginning with: CRMATxxTR-xxR				Frame Components - Curved Side						
Index #	Description	Part #	Length	15'	18'	20'	21'	24'	28'	33'
6	Top Rail 8.5" Champ Resin	22791	49-59-64"	11						
		22792	50-11/16"		13					
		22793	48-43/64"			15	16			
		22794	48-19-32"					18		
		22795	48-43/61"						21	
		22796	50-1/16"							
	Wilbar Warranty Emerald	12572		1	1	1	1	1	1	1
Index #	# of ctns used per pool [combined ctn ttls shown]:			1 ctn	1 ctn	1 ctn	1 ctn	1 ctn	2 ctn	2 ctn

Found in Ctn. Beginning with: CRMATUR54-xx				54" Frame Components						
Index #	Description	Part #	Length	15'	18'	20'	21'	24'	28'	33'
5	Upright 6" Champ Resin	22798	54"	11	12	15	16	18	21	24
	# of ctns used per pool [combined ctn ttls shown]:			1 ctn	1 ctn	1 ctn	1 ctn	1 ctn	2 ctn	2 ctn

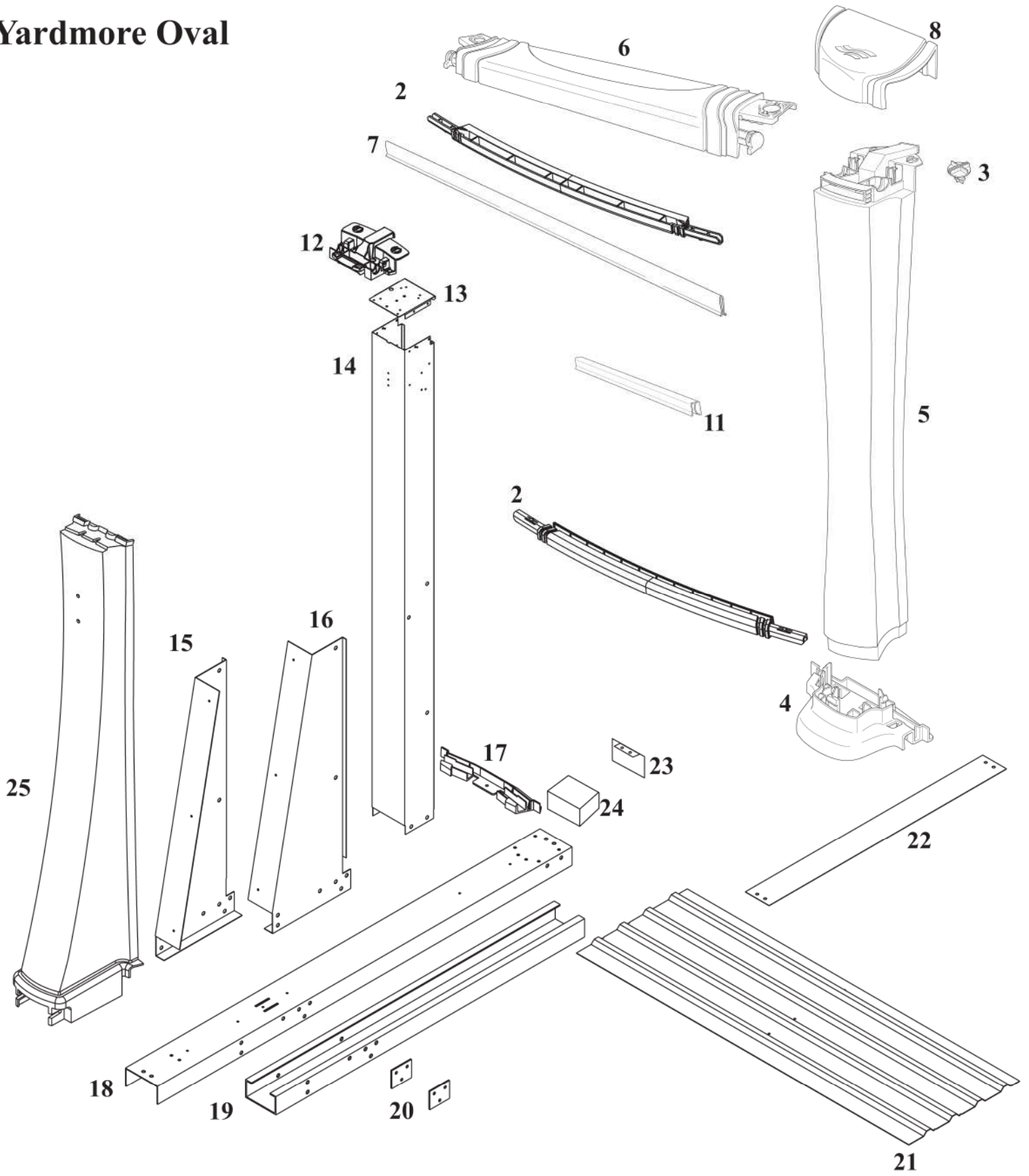
Found in Ctn. : CRMATxx-RRRS1				Pool Components						
Index #	Description	Part #	Length	15'	18'	20'	21'	24'	28'	33'
5	Upright 6" Champ Resin	22798	54"		1					
8	Top Cover 8" Champ Resin	22799		11	13	15	16	18	21	24
4	Bottom Cuff Champ Resin	22801		11	13	15	16	18	21	24
7	Plastic Coping	10296	48"	12	14	16	17	19	22	25
*	Wall Rim Spacer Cvd White Resin	17514	11"	11	13	15	16	18	21	24
2	Bottom Rail Champ Resin	22803	49"	22						
		22804	50"		26					
		22805	48"			30	32			
		22806	48"					36		
		22807	48"						42	
		22808	49-1/2"							48
	Hdw SS	17548		1						
		17549			1					
		17550				1	1			
		17551						1		
		17552							1	
		17553								1
	Envelope Safety Stickers	95-0007		1	1	1	1	1	1	1
	Instructional DVD	36879		1	1	1	1	1	1	1

*May not be pictured



Matrix

Yardmore Oval





Product Description:	Matrix Yardmore Oval	Revised: Apr 2011
Product Code	PMAT-YM54RRRRRS1	

Qty Required for Installation (by Size)

Found in Ctn. Beginning with: CRMATxxTR-xxR				Frame Components - Curved Side			
Index #	Description	Part #	Length	1526'	1530'	1833'	1840'
6	Top Rail 8.5" Champ Resin	22791	49-59-64"	10	10		
		22792	50-11/16"			12	12
	Wilbar Warranty Emerald	12572		1	1	1	1

Found in Ctn. Beginning with: CVMATTR-xx				Frame Components - Oval Straight Side			
Index #	Description	Part #	Length	1526'	1530'	1833'	1840'
6	Top Rail 8.5" Champ Resin Str Side	22797	38-1/16"	8	10	10	14
		16549	44"	6	8	8	12
# of ctns used per pool [combined ctn ttls shown]:				1 ctn	1 ctn	1 ctn	2 ctn

Found in Ctn. Beginning with: CRMATUR54-xx				54" Frame Components			
Index #	Description	Part #	Length	1526'	1530'	1833'	1840'
5	Upright 6" Champ Resin	22798	54"	12	12	14	14

Found in Ctn. Beginning with: CVMATVR54-xx				54" Frame Components - Oval Straight Side			
Index #	Description	Part #	Length	1526'	1530'	1833'	1840'
14	Upright Stl Skeleton Oval Str Side	22151	52-1/2"	6	8	8	12
25	Upright Champ Resin	22903	54"	6	8	8	12
17	Wall Rim Connector Str Side	22802		6	8	8	16
13	Top Plate Resin Oval	22928		6	8	8	12
18	Strap Over Channel	16539	52 3/8				4
22	Strap Section	16724	41-1/16"				
		16726	52-11/16"				6
23	Oval Channel End Cap	22726					4
24	Oval Channel Foam Block	29917		14	16	16	24
# of ctns used per pool [combined ctn ttls shown]:				3 ctn	3 ctn	3 ctn	4 ctn





Found in Ctn. Beginning with: CVSTRAPxx-xx				Frame Components - Oval Straight Side			
Index #	Description	Part #	Length	1526'	1530'	1833'	1840'
18	Strap Over Channel	16539	52 3/8	6	8	8	8
22	Strap Section	16724	41-1/16"				
		16725	40 11/16"	9	12		
		16726	52-11/16"			12	12
17	Connector Btm Rail Str Side Stl	16542		6	8	8	8
23	Oval Channel End Cap	22726		6	8	8	8

Found in Ctn. : CVUCGSTL-0202				Frame Components - Oval Straight Side			
Index #	Description	Part #	Length	1526'	1530'	1833'	1840'
19	Under Channel Yardmore	15933	45-9/16"	2			
15	Yardmore Gusset Left	16374		2			
16	Yardmore Gusset Right	16375		2			
20	Hdw SS Base Pack YM	16722	[2 upr]	1			

Found in Ctn. : CVUCGSTL-0404				Frame Components - Oval Straight Side			
Index #	Description	Part #	Length	1526'	1530'	1833'	1840'
19	Under Channel Yardmore	15933	45 9/16"	4	8	8	12
15	Yardmore Gusset Left	16374		4	8	8	12
16	Yardmore Gusset Right	16375		4	8	8	12
20	Hdw SS Base Pack YM	16720	[4 upr]	1	2	2	3
# of ctns used per pool [combined ctn ttls shown]:				1 ctn	2 ctn	2 ctn	3 ctn

Found in Ctn. : CXMATxxx-RRRS1				Pool Comp. - Mixed Oval - Curved/Straight			
Index #	Description	Part #	Length	1526'	1530'	1833'	1840'
13	Top Plate 4" For Resin Oval Cover	10136R		6	8	8	12
4	Bottom Cuff Champ Resin	22801		12	12	14	14
11	Wall Rim Spacer Cvd White Resin	17514	11"	12	12	14	14
11	Wall Rim Spacer Str White Resin	18571	13"	6	8	8	12
8	Top Cover 8" Champ Resin	22799		18	20	22	26
7	Plastic Coping	10296		19	19	21	24
2	Bottom Rail Champ Resin	22803	49"	20	20		
		22804	50"			24	24
2	Bottom Rail Champ Resin Str Side	22809	37-1/2"	16	20	20	28
		15177		1			
		15178			1		
		15179				1	
		15180					1
	Envelope Safety Stickers	95-0007		1	1	1	1
	Instructional DVD	36879		1	1	1	1

*May not be pictured

