

**SAVE THESE INSTRUCTIONS**

DEALER/INSTALLER: GIVE TO HOMEOWNER

**MODEL #7000**

**“ELIMINATOR” A-FRAME LADDER**

**FOR RIGID-FRAMED POOLS ONLY  
ASSEMBLY AND INSTALLATION MANUAL**



The Anti-Entrapment Barrier is included in this ladder for the U.S. and Canada only, as required by ANSI/APSP requirements.  
The Anti-Entrapment Barrier is NOT intended as a substitute for competent adult supervision.  
If you would like to purchase the barrier, please visit our website at: [www.conferraladders.com](http://www.conferraladders.com)



MADE IN THE U.S.A. by:

**CONFER**  
*plastics inc.*

# Model #7000

## “ELIMINATOR” A-FRAME LADDER

### Adjustable to fit 48” to 54” Rigid-Framed Above Ground Pools

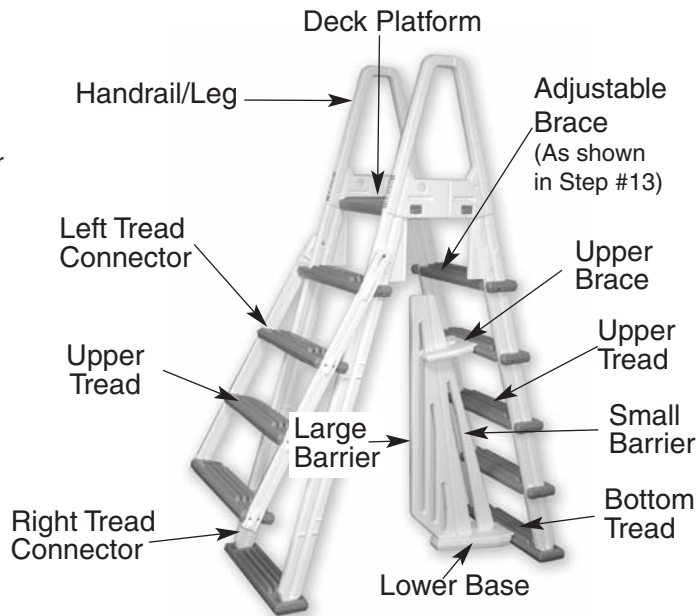
#### ASSEMBLY INSTRUCTIONS - PLEASE READ BEFORE ATTEMPTING ASSEMBLY

#### Parts List

- 4 - Handrail / Leg
- 2 - Bottom Treads
- 8 - Upper Treads
- 1 - Left Tread Connector
- 1 - Right Tread Connector
- 1 - Deck Platform with 4 wedges attached

#### Hardware Pack

- 26 - #10 x 1-1/4" screw
- 2 - 1/4 - 20 x 3-1/4" Bolt
- 6 - 1/4" Washer
- 2 - 1/4" Nylon Nut
- 2 - 1/4 - 20 x 2-1/4" Bolt
- 2 - Hex Nut
- 4 - Push in Plug (white)
- 2 - Adjustable Braces
- 1 - Cable Lock Set



#### Tools Needed for Assembly

- \* - Hammer or mallet
- \* - Cordless Drill Motor
- \* - 1/8" & 9/32" Drill Bits
- \* - Phillips screwdriver bit
- \* - Pliers
- \* - 7/16" wrench or adjustable wrench
- \* - Dish liquid or spray lubricant

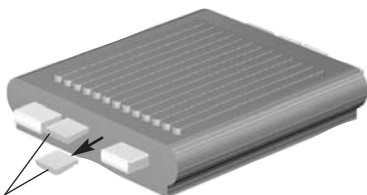
#### Barrier Parts List (if included)

(Included in Hardware Pack)

- 4 - #10 x 1-1/4" screws
- 1 - Strip of 4 Foam Pads
- 1 - Large Barrier Section
- 1 - Small Barrier Section
- 1 - Upper Brace
- 1 - Lower Base

If missing parts call - Toll free U.S. - 866-396-2968 or [www.conferladders.com](http://www.conferladders.com)

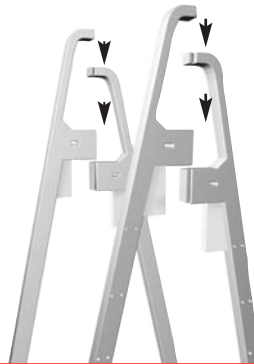
#### Step 1.



**Twist and save.** Pliers may be useful to aid in removal.

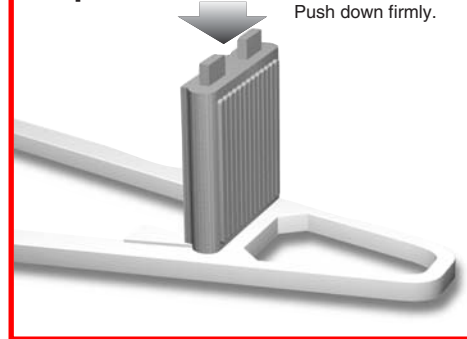
**IMPORTANT:** Remove the wedges from the deck platform protrusions and **SAVE** for step 5.

#### Step 2.



Slide the handrail/ legs together as shown. Apply liquid soap or spray lubricant to aid assembly.

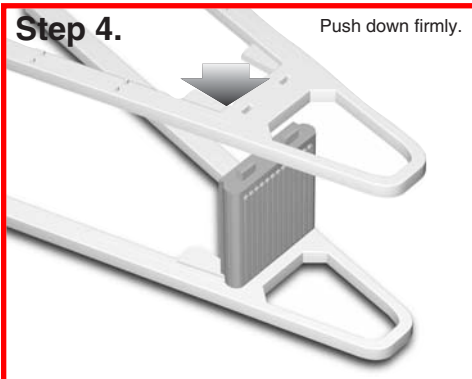
#### Step 3.



Push down firmly.

Place one handrail/leg assembly on a clean flat surface and push the deck platform protrusions in the opening.

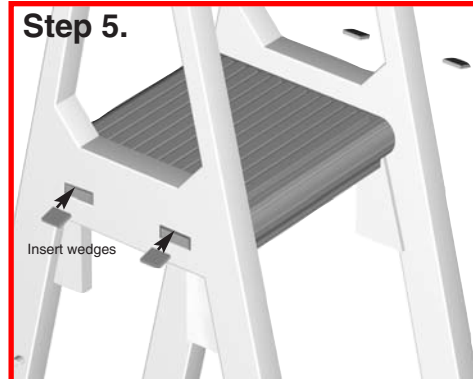
#### Step 4.



Push down firmly.

Repeat the process with the second handrail/leg assembly, pushing firmly onto the deck protrusions to ensure a secure fit.

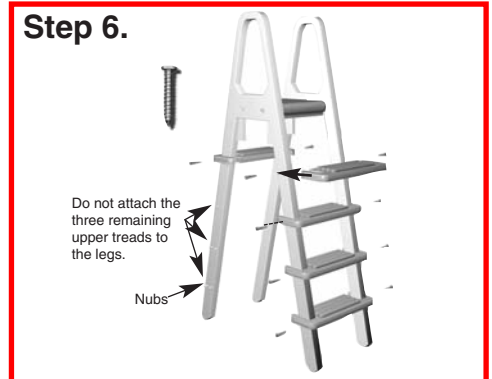
#### Step 5.



Insert wedges

Insert the four wedges that were saved from step 1, into the top of the openings as shown.

#### Step 6.



Do not attach the three remaining upper treads to the legs.

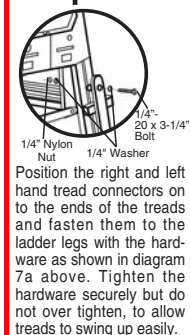
Nubs

Slide five upper treads into position so they are resting on the double nubs of the legs (as shown in the diagram). Secure the treads to the legs using the #10 x 1-1/4" screws (two per tread), through the pre-drilled holes.

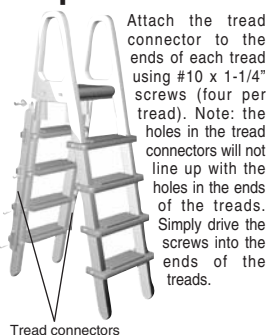
**Step 7.** Slide the three remaining upper treads into position on the ladder legs.

**If Ladder DID NOT include Barrier, skip steps 9 to 11. Continue to step 12.**

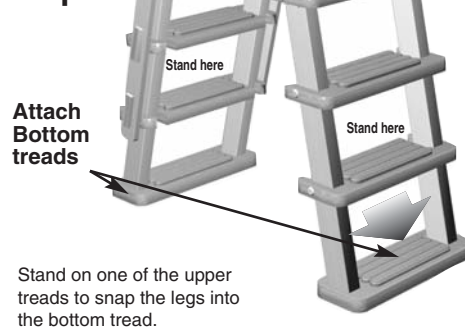
**Step 7a.**



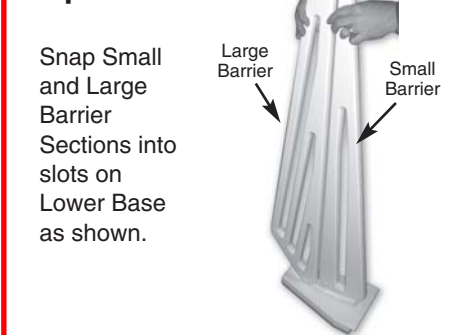
**Step 7b.**



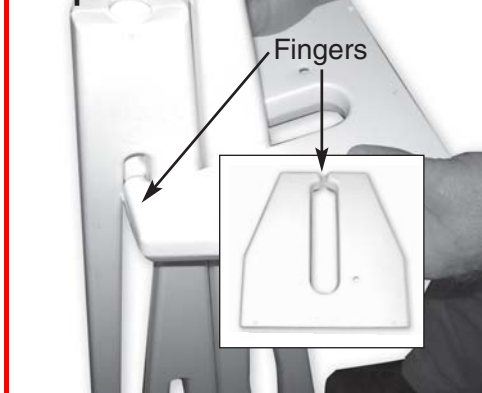
**Step 8.**



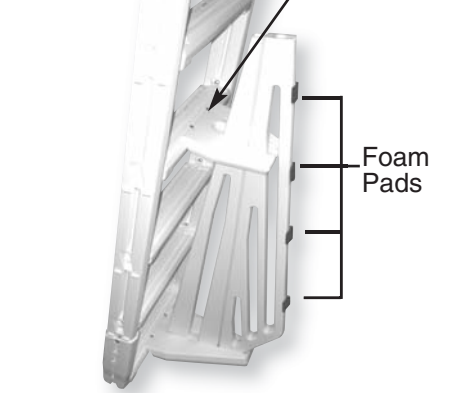
**Step 9.**



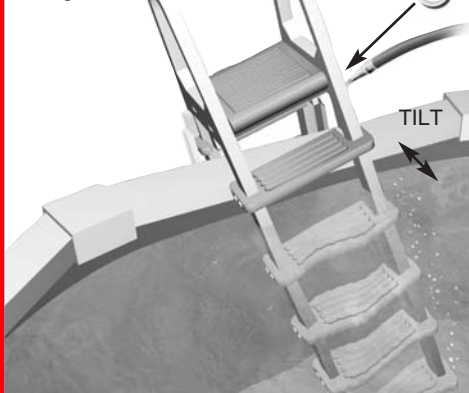
**Step 10.**



**11.**



**Step 12.**

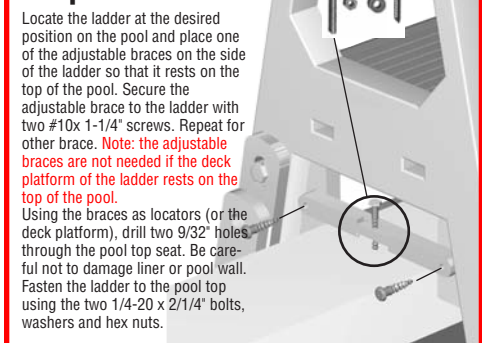


Separate Barrier sections at the top slightly and position Upper Brace over Small Barrier Section. Next, spread the "fingers" on the Upper Brace and slide into position on the Large Barrier Section.

Place the Base and Brace into position, centered, on the bottom and fourth treads of the ladder. Install the four (4) #10 x 1-1/4" screws (included in hardware pack) on a slight angle, first in the Upper brace, then in the Lower Base. Install the self-adhering foam strips to the Large Barrier Section as shown in diagram.

Place the ladder in the pool and fill legs with water through the openings with a hose. Then plug the holes using the four push in plugs. Tilt it so the air is released from all the submerged treads.

**Step 13.**



**SWING UP INSTRUCTIONS**

When not in use **ALWAYS** secure ladder by swinging up outer treads and locking with cable lock provided.

To swing up the outer treads stand on the bottom tread, grasp the underside of the second lowest tread and swing it out toward you. Swing them up until the tread connectors drop into the preformed locks on each leg and stay in the upright position. To lower the treads lift them straight up to clear the locks and carefully swing them down toward you.

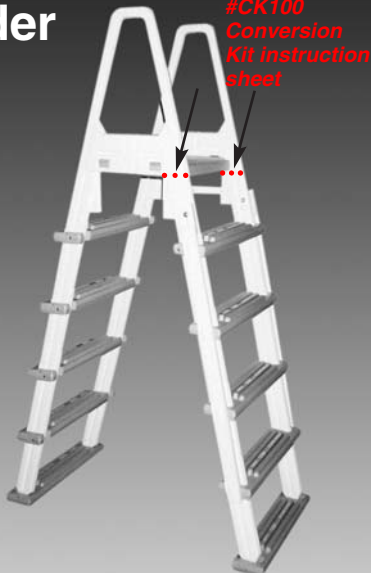


**NOTE: Ladder MUST be filled with water to prevent floating.**

**Winterizing:** To winterize your ladder unfasten the ladder from the deck and pull the ladder from the pool. Remove the two plugs and lay the ladder on its side to allow the majority of the water to drain out of it. A small amount of water left in the ladder *will not* cause any damage. Replace the plugs into the fill holes so that they do not get lost. The ladder may be left outside.

## To convert this ladder to a Deck ladder

Purchase our #CK100 Conversion Kit and cut the handrails under the deck platform as indicated. *Be sure to cut the legs on the "swing up" side of the ladder.* Follow the instructions provided with the conversion kit to fasten the ladder to the deck.



## OPTIONAL ACCESSORIES Order online @ [www.conferladders.com](http://www.conferladders.com)

### SKIM-IT SKIMS OFF DEBRIS

Cut cleaning time 75% with skimmer extension that guides debris directly into your skimmer. Fits most in-ground and above-ground pool skimmers. Corrosion-resistant plastic Skim-It installs in seconds without tools.



## SAFETY RULES

- \* Locate ladder on a solid base.
- \* One person on the ladder at a time.
- \* Ladder **MUST** be installed per manufacturer's instructions.
- \* **DANGER:** No Jumping or Diving from ladder.
- \* Face ladder when entering and leaving pool.
- \* To prevent entrapment or drowning — **DO NOT** swim through, behind or around ladder.
- \* Ladder to be used as a swimming pool ladder only.
- \* Weight limit - **300 lbs maximum**
- \* **Warning:** Exceeding the maximum weight restriction may cause the ladder to fail.
- \* When ladder is not in use lock up outer treads with cable lock provided in hardware bag.
- \* Consult your local Building Department before installation of your pool and equipment.
- \* **DANGER:** Use a cordless drill for assembly and installation. NEVER use an electric drill in or around the pool.

## IMPORTANT FOR YOUR SAFETY

- \* Check the contents of the carton with the Parts list for this ladder.
- \* If any parts are missing call Toll Free U.S. - 866-396-2968 or visit our web site at [www.conferladders.com](http://www.conferladders.com)
- \* **DO NOT** attempt to assemble or install the ladder if there are ANY shortages of parts or hardware.
- \* For proper assembly and installation follow all instructions in the sequence shown.
- \* Before using the product, after assembly and installation, go over the instructions and procedures again to make sure nothing has been overlooked.
- \* Be sure and safe. The manufacturer **IS NOT** responsible for improper assembly, installation and use.

## CONFER PLASTICS, INC. LIMITED, PRO-RATED WARRANTY

Confer Plastics, Inc. warrants their swimming pool ladders to be free from defects in workmanship for one year from date of purchase. After the first year the cost to replace a part is as follows:

### MODEL #7000

2<sup>nd</sup> Year - 20%

3<sup>rd</sup> Year - 40%

4<sup>th</sup> Year - 60%

5<sup>th</sup> Year - 80%

Plus shipping/handling

} of current parts  
list price

### DO NOT RETURN DEFECTIVE PART TO DEALER

The defective part should be returned, postpaid, to:  
Confer Plastics, Inc.  
97 Witmer Road

North Tonawanda, N.Y. 14120-2421

Enclose proof-of-purchase (receipts, etc.) showing date purchased, your name, address, and daytime phone number. You will be notified of cost to replace part.

*This warranty gives you specific legal rights, and you may also have other rights which may vary from state to state.*

MADE IN THE U.S.A. by:



**CONFER**  
*plastics inc.*

97 Witmer Road  
North Tonawanda, New York 14120-2421  
Toll Free U.S. 866-396-2968  
716-283-1826/ FAX 716-283-3249  
[www.conferladders.com](http://www.conferladders.com)