

CLEANING INSTRUCTIONS

If the pressure gauge on your filter reads 5 PSI or higher than the original starting pressure, the filter needs to be cleaned. The ClearWater II D.E. Filter System features the exclusive 1-2-3 Safety Locking System to ensure safe and simple filter maintenance.

1. Turn off pump. **WARNING: Never attempt to clean filter while pump is running. This is a pressurized vessel. It could cause severe injury or harm to your person.** Plug skimmer and pool return lines or drain pool water level to below pool return line.
2. Slowly open the air release knob on top of filter until the pressure gauge reads "0". Open drain cap at bottom of filter and allow water to flow.

3. Press the yellow safety latch on the underside of the locking nut and turn the nut counterclockwise to remove the lid. Rinse the D.E. element with a garden hose. There is no need to remove the element from the filter.
4. Reassemble lid and follow start-up procedures from original instructions.

My Original Starting Pressure is _____ PSI (Pounds per Square Inch). I should clean the filter at _____ PSI.

LIMITED WARRANTY

Waterway Plastics manufactures its products and equipment in accordance with very high standards of workmanship. We use the best materials available and maintain the highest quality procedures practical in the industry. In accordance, Waterway warrants its products as follows:

All plastics parts such as jets, valves, skimmers, manifolds, suction, lights, and other plastic components manufactured by Waterway will be replaced or repaired, if the defects are determined by Waterway to be the responsibility of Waterway Plastics, for a period of three years from the date of installation. The warranty does not cover filter cartridges, D.E. grids, O-rings, pressure gauges, pump seals, light bulbs or any parts not manufactured by Waterway. Warranty applies to OEM's and Distributors of Waterway Products.

The Supreme and Hi-Flo Pumps will receive limited warranty from any defect in material or workmanship for one year from the date of manufacture. This includes the motor but not the motor seal.

All thermoplastic molded filter bodies and rotational molded sand filter bodies have a warranty of ten years, warranted on a pro-rata life basis. If a defect becomes apparent during the first year, the body will be exchanged for a new body if the defects are determined by Waterway to be the responsibility of Waterway Plastics. If a defect becomes apparent after the first year from the date of manufacture which, in the opinion of Waterway, will require

replacement, the body will be exchanged for a new tank on an adjusted service pro-rata life basis. Charges to the owner, on the pro-rata life basis, will be determined by the actual number of months installed beginning with the date of installation.

Products that fail or become defective during the warranty period, except as a result of improper installation, bad water chemistry, accidents or negligence on behalf of the owner, freezing, earthquakes, fire floods, or other acts of nature, shall be repaired or replaced at Waterway's option without charge to the owner. This process will be completed within 90 days of receipt of the defective product barring delays caused by the acquisition of component parts not manufactured at our facility.

To obtain warranty replacements or repair, defective products should be returned (transportation paid) to the place of purchase, or to Waterway. It should include a description of the defect and the circumstances surrounding the incident or problem.

Waterway shall not be responsible for cartage, removal and/or reinstallation labor, or any other such costs incurred in obtaining warranty replacements. Warranty applies to OEM's and Distributors of Waterway Products.

This warranty gives you specific legal rights. You may also have other rights which vary from state to state.

CLEAR II™ WATER II DE



STANDARD SYSTEM OWNER'S MANUAL



Waterway™

2200 East Sturgis Road, Oxnard, CA 93030 • Ph. (805) 981-0262 • Fax (805) 981-9403

www.waterwayplastics.com • waterway@waterwayplastics.com

CLEARWATER II D.E. FILTER SYSTEM OWNER'S MANUAL

Our ClearWater II D.E. Filter System is shipped from Waterway complete with everything you need right in the box. Assemble filter system only after above-ground pool is installed. Fill pool with water. Do not raise water level above pool return line.

The pool equipment should be located between pool skimmer and return line. The filtration system should not be closer than 2 ft. and not further than 5 ft. from the pool. The ClearWater II D.E. Filter System needs to be on a completely flat surface (e.g. patio block, cement slab, etc.). The pump will require a 110 volt/20 amp service.

WARNING: A GFCI is required. Follow national and local building and safety codes.

Before opening shipping carton, make sure box is in the upright position. Inside the carton, you will find:

1. One base
2. One pump (packaged in separate box)
3. One filter
4. Two lengths of 6 ft. hose
5. One bag with fittings

INSTALLATION INSTRUCTIONS

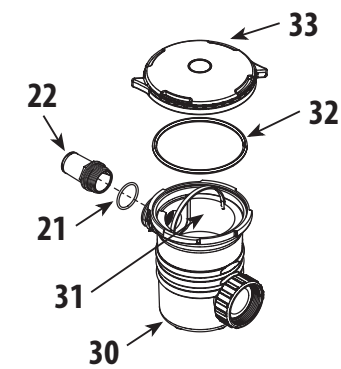
WARNING! READ ALL INSTRUCTIONS AND WARNING LABELS BEFORE OPERATING FILTER!

1. Place filter and base on a level, secure surface. Place the pump on the base to the left of the filter. The pump should now be facing the filter marked "Inlet". There is no need to disassemble filter or pump assemblies.
2. Open pump trap lid and remove 2" gasket. Place 2" gasket into union nut. Hand tighten union nut to suction side of pump (Detail 5).
3. Secure pump to the base using the pin & anchor assemblies (Detail 4).
4. Open fittings bag and remove coupling assembly (Detail 2). Assemble 2" gasket, coupling, coupling O-Ring, and 2" union nut, and thread into inlet side of filter.
5. Thread 2" union nut to pump discharge (Detail 3). Thread hose adapter with O-Ring, to pump trap suction side (Detail 1).
6. From the fittings package, remove 1½" hose adapter and O-ring

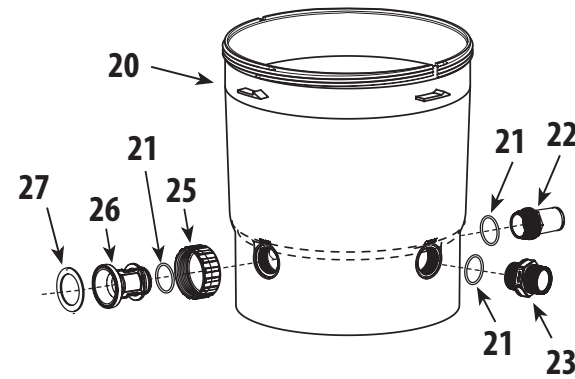
(Detail 2, #21 & 22). Thread into the outlet side of the filter tank.

7. Remove 4 hose clamps from the fittings bag. Select one of the hose lengths and slip one clamp over the end of hose adapter. Place the end of the hose on to the hose adapter (pump suction) and the other end to the hose adapter end of the pool skimmer. Repeat steps with filter outlet to pool return.
8. Remove the Lid Handle, #1, from the fittings bag and attach it to the top of the Lid Assembly, #12, as shown (Detail 6). Secure ClearWater Filter to ClearWater Filter Base using #24a Phillips Head Screws (2) (Detail 6a & 6aa). Fill pool until water level is halfway up length of skimmer throat.
9. Open air release knob. Plug in and turn on pump. Air will pass out of the filter through the air release knob. Once water discharges from knob, close it.

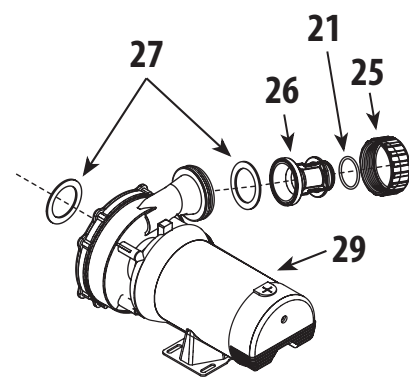
NOTE: To remove Lid Assembly, take off Filter Nut, #3, insert Filter Wrench, #20a, in notch between Filter Body, #20 and Lid Assembly, #12, twist and separate as shown in Detail 6a.



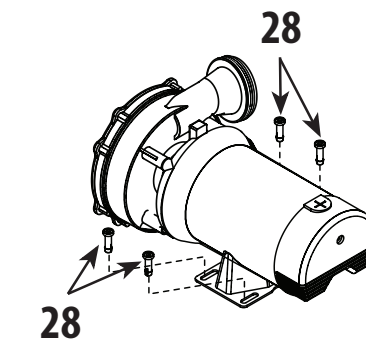
DETAIL 1



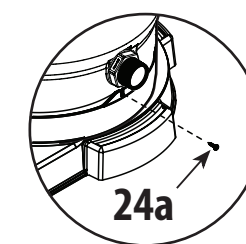
DETAIL 2



DETAIL 3



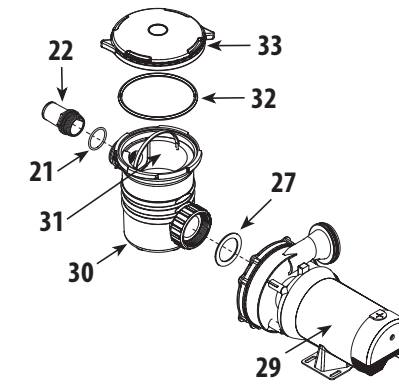
DETAIL 4



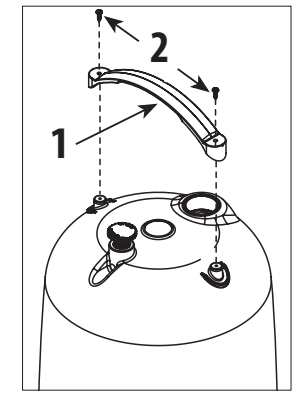
DETAIL 6aa

CLEARWATER II D.E. FILTER SYSTEM REPLACEMENT PARTS

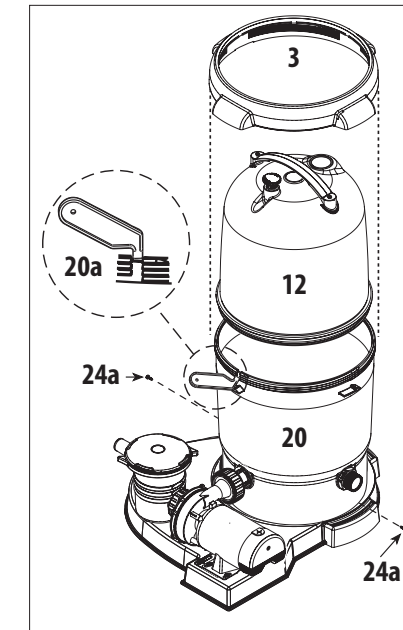
Item	Part No.	Description
1	519-7601	Lid Handle
2	819-9002	#12 x ¾" S/S Phillips Head Screw
3	718-7251	Filter Locknut Assembly
4	602-0200	Air Relief Plug
5	805-0207	O-Ring - Air Relief
6	830-4000SS	Pressure Gauge
7	519-7451	Handle Assembly (2)
8	805-0224	O-Ring - Air Relief
9	519-7430	Gauge - Fitting Adapter
10	805-0117SD	O-Ring - Adapter
11	805-0460	Lid O-Ring
12	519-7411	Lid Assembly (Small)
	519-7401	Lid Assembly (Large)
13	519-7441	Wing-Nut
14	500-7310	Screen/Sock Assembly
15	718-7210	Tie Nut - D.E.
16	419-7241	Plug - 2" x 1½" MPT
17	519-7269	Locator - Top Grids - D.E.
18	550-7210	D.E. Grids - 12 sq. ft. (7)
	550-7220	D.E. Grids - 18 sq. ft. (7)
19	550-7100	Base Assembly - 12 sq. ft.
	550-7120	Base Assembly - 18 sq. ft.
20	515-7251	Filter Body Bottom
20a	519-7470	Filter Wrench (see Detail 6a)
21	805-0224	O-Ring (4)
22	417-6241	1½" MPT x 1½" Male Smooth Hose Adapter (2)
23	500-5300	Drain Assembly
24	672-7401	ClearWater II Base
24a	819-0044	#10 x 1" S/S Phillips Head Screw (2)
25	415-5001	2" Union Nut
26	419-7241	Coupling
27	711-4010	2" Union Gasket (2)
28	429-7221	Snap Pin (4)
29	PH1100	1 HP - 1-Speed Hi-Flo Pump
	PH1150	1½ HP - 1-Speed Hi-Flo Pump
	PH1200	2 HP - 1-Speed Hi-Flo Pump
	PH2100	1 HP - 2-Speed Hi-Flo Pump
	PH2150	1½ HP - 2-Speed Hi-Flo Pump
	PH2200	2 HP - 2-Speed Hi-Flo Pump
30	310-6500	6" Trap - 1½" Buttress x 2" Flange
31	319-3230	6" Basket Assembly
32	805-0436	O-Ring
33	319-3260	6" Trap Lid



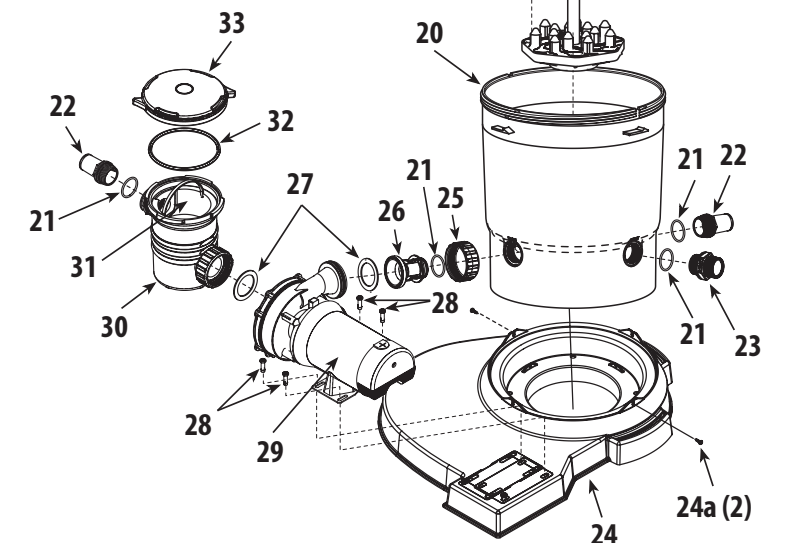
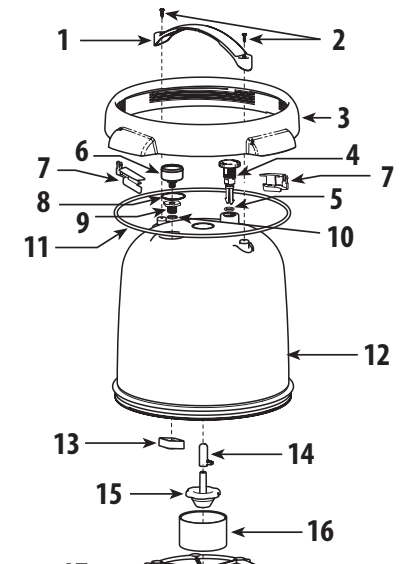
DETAIL 5



DETAIL 6



DETAIL 6a



24a (2)