

## Waterford/Cristal-Flo Sand Systems (Pre-2009)

Original systems manufactured as detailed in Figure 13. When replacing the ABG/JWP pump with the corresponding Sta-Rite Dynamo or OptiFlo pump you will also need to order PTF connection part number 155764. This connection includes a union on the valve end and can be cut to length on the pump end biased of the filter size. The fitting and clap are included with the PTF connection. See Figure 14.

FIGURE 13 (as originally manufactured)

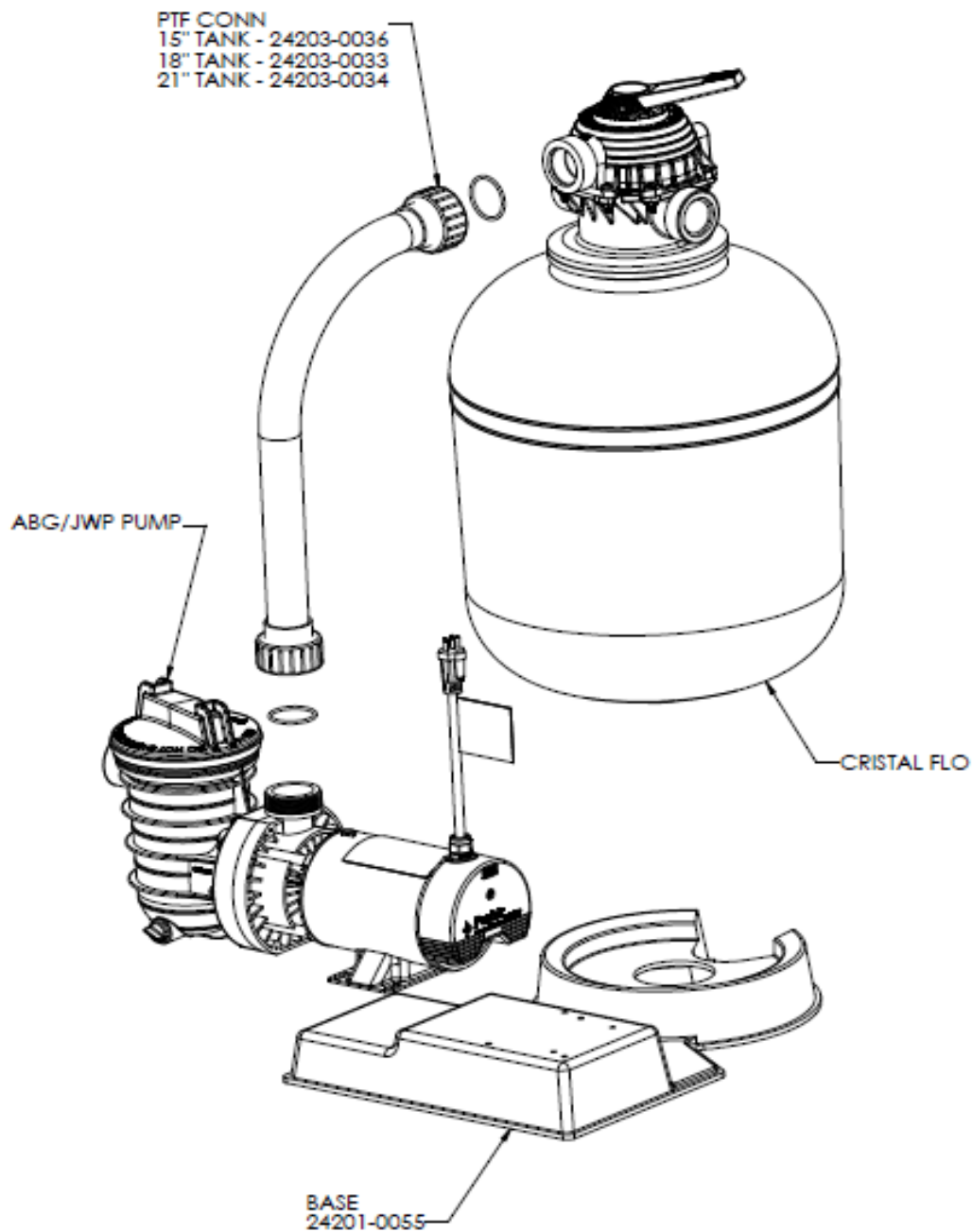


FIGURE 14 (replacement option)

