

VICTORY TABLE TENNIS TABLE ASSEMBLY INSTRUCTIONS



NG2322


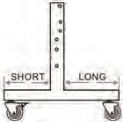
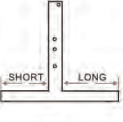












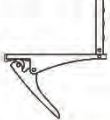



THANK YOU!

Thank you for your purchase of our product.

We work around the clock and around the globe to ensure that our products maintain the highest possible quality. However, in the rare instance that your product is defective or missing parts, contact Challenger Manufacturing at 800-759-0977 to submit parts requests or warranty claims. Please read the warranty information at the back of these assembly instructions for further details.

IMPORTANT! PLEASE READ THESE ASSEMBLY INSTRUCTIONS IN ENTIRETY BEFORE ASSEMBLING YOUR PRODUCT.

PARTS IDENTIFIER (NOT TO SCALE)

<p>#1</p>  <p>TABLE TOP HALF 2 pcs</p>	<p>#2</p>  <p>RIGHT WHEEL ASSEMBLY 2 pcs</p>	<p>#3</p>  <p>LEFT WHEEL ASSEMBLY 2 pcs</p>	<p>#4</p>  <p>CASTER WHEEL 4 pcs</p>	<p>#5</p>  <p>12MM FLAT WASHER 4 pcs</p>
<p>#6</p>  <p>12MM ACORN NUT 4 pcs</p>	<p>#7</p>  <p>CENTER SUPPORT BRACE 2 pcs</p>	<p>#8</p>  <p>M8 X 65MM BOLT 8 pcs</p>	<p>#9</p>  <p>8MM FLAT WASHER 16 pcs</p>	<p>#10</p>  <p>8MM NUT 8 pcs</p>
<p>#11</p>  <p>LOCKING BRACKET 2 pcs</p>	<p>#12</p>  <p>M6 X 65MM BOLT 4 pcs</p>	<p>#13</p>  <p>6MM FLAT WASHER 8 pcs</p>	<p>#14</p>  <p>6MM NUT 4 pcs</p>	<p>#15</p>  <p>WRENCH 2 pcs</p>
<p>#16</p>  <p>TABLE TENNIS NET POST 2 pcs</p>	<p>#17</p>  <p>TABLE TENNIS NET 1 pc</p>	<p>#18</p>  <p>TABLE TENNIS RACKET 2 pcs</p>	<p>#19</p>  <p>TABLE TENNIS BALL 2 pcs</p>	

IMPORTANT! CAREFULLY OPEN AND RETAIN THE CARDBOARD SHIPPING CARTON. IT WILL BE USED TO PROTECT THE PLAYING SURFACE DURING ASSEMBLY.

ASSEMBLY TIPS

1. Find a clean, level surface to begin the assembly of your game table. The table will be partially assembled upside down and then turned over onto its legs. This is a heavy table and turning it over will require at least two strong adults.
2. Remove all of the contents from box and verify that you have all of the parts shown on the Parts Identifier before you begin assembly. **Note: Some parts may be pre-installed or pre-assembled.**
3. Some figures or drawings may not look exactly like your product. Please read and understand the text before beginning each assembly step.
4. When installing parts that have more than one screw or bolt, hand tighten all screws or bolts in place before finishing tightening with screwdriver or hex wrench.
5. Electric screwdrivers may be helpful during assembly; however, please set a low torque and use extreme caution because screws may be stripped or overtightened if the electric screwdriver's torque is set too high.

WARNINGS!

READ AND FOLLOW ALL ASSEMBLY, OPERATION AND SAFETY INSTRUCTIONS CAREFULLY.

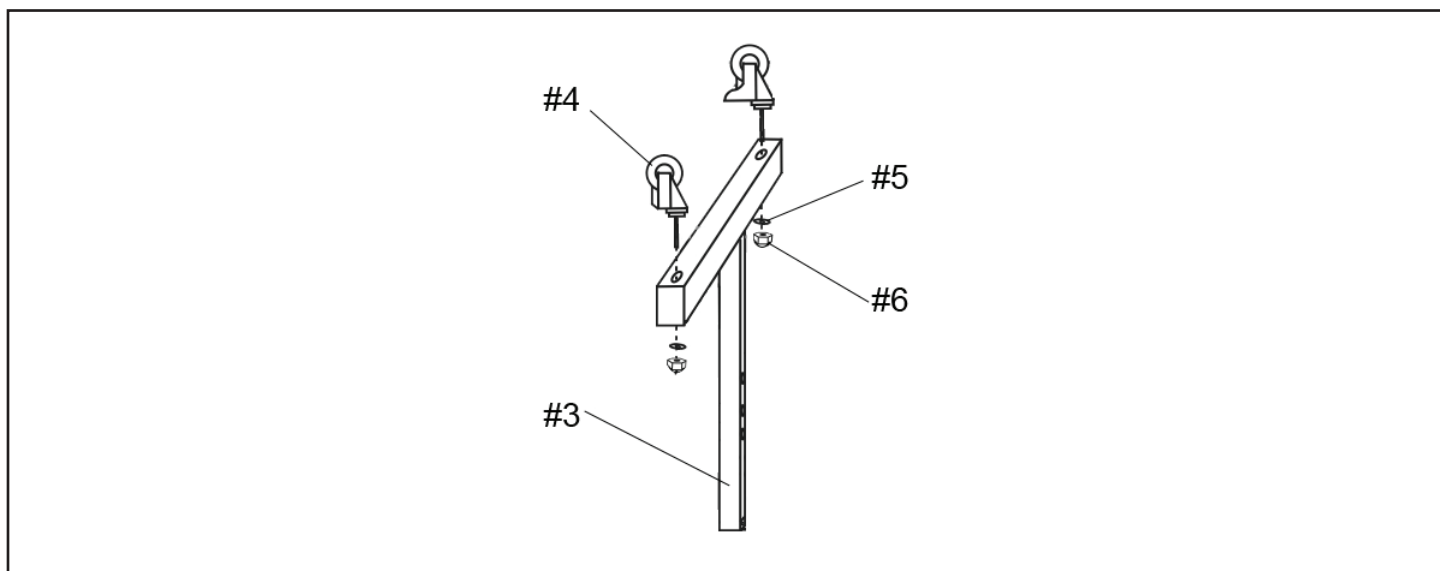
CHOKER HAZARD - THIS TABLE CONTAINS SMALL PARTS -
NOT SUITABLE FOR CHILDREN UNDER 3 YEARS OF AGE.

PINCH HAZARD – USE CAUTION WHEN FOLDING AND UNFOLDING THE LEGS.

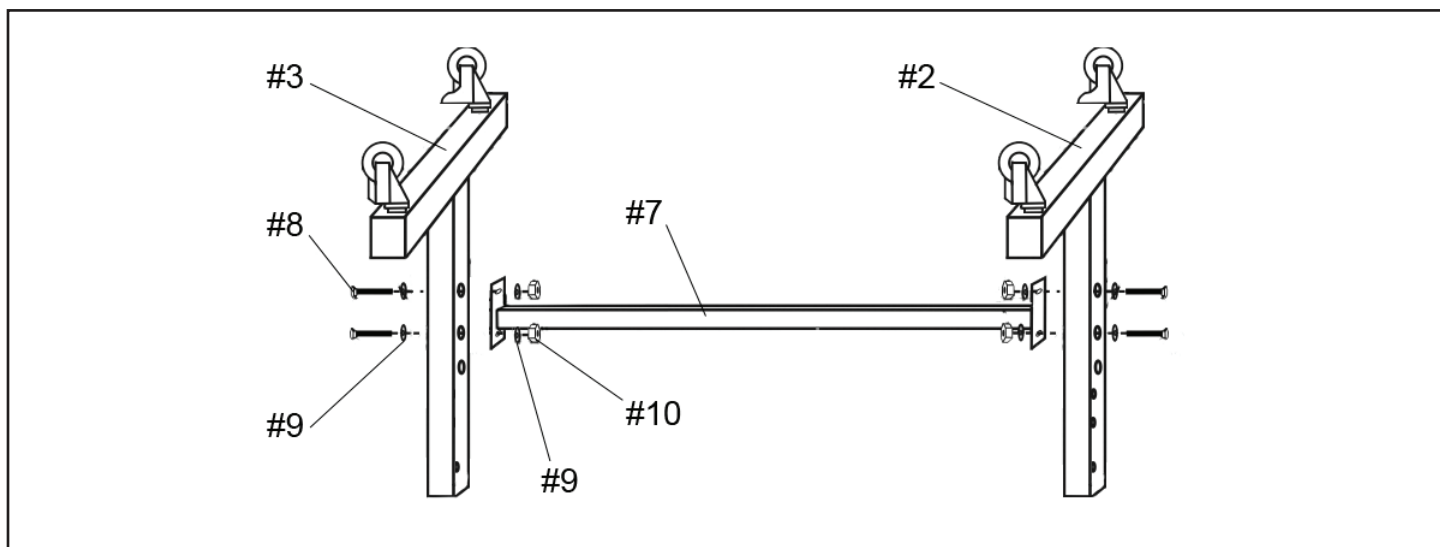
ADULT SUPERVISION REQUIRED WHILE OPENING AND CLOSING THIS TABLE.

ASSEMBLY INSTRUCTIONS

1. Attach two CASTER WHEELS #4 to each LEFT WHEEL ASSEMBLY #3 with 12mm FLAT WASHER #5 and 12mm ACORN NUT #6.

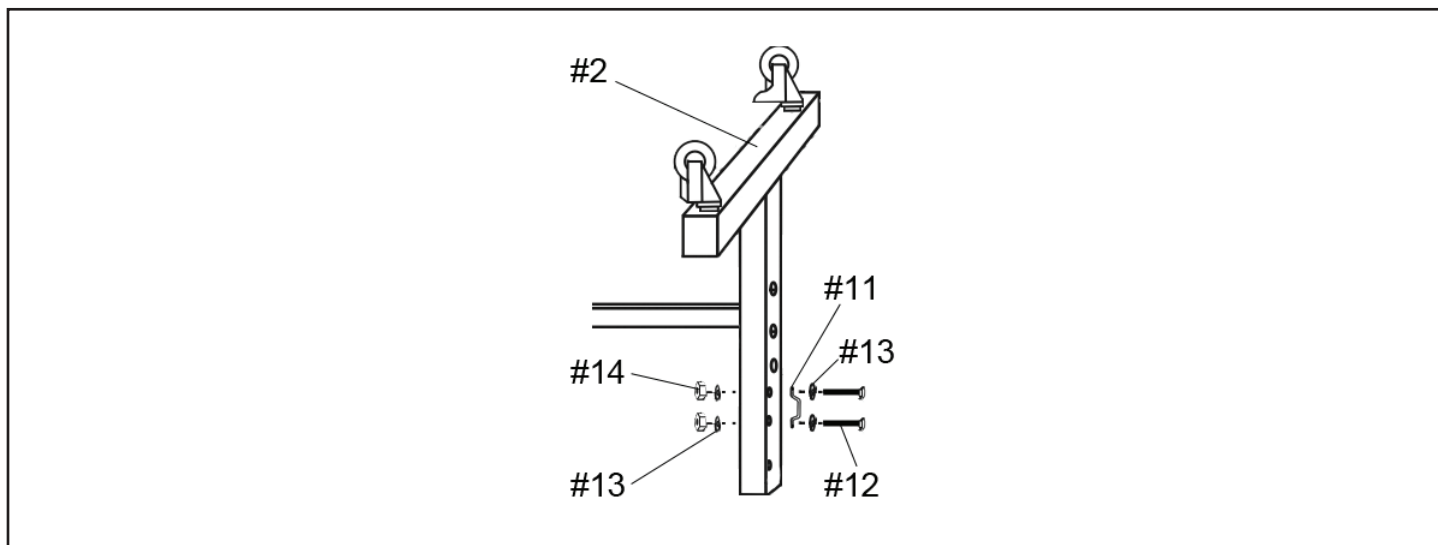


2. Attach one pre-assembled RIGHT WHEEL ASSEMBLY #2 and one LEFT WHEEL ASSEMBLY #3 to each side of one CENTER SUPPORT BRACE #7 as shown with M8x65mm BOLT #8, 8mm FLAT WASHER #9 and 8mm NUT #10. Repeat with remaining RIGHT WHEEL ASSEMBLY, LEFT WHEEL ASSEMBLY and CENTER SUPPORT BRACE.

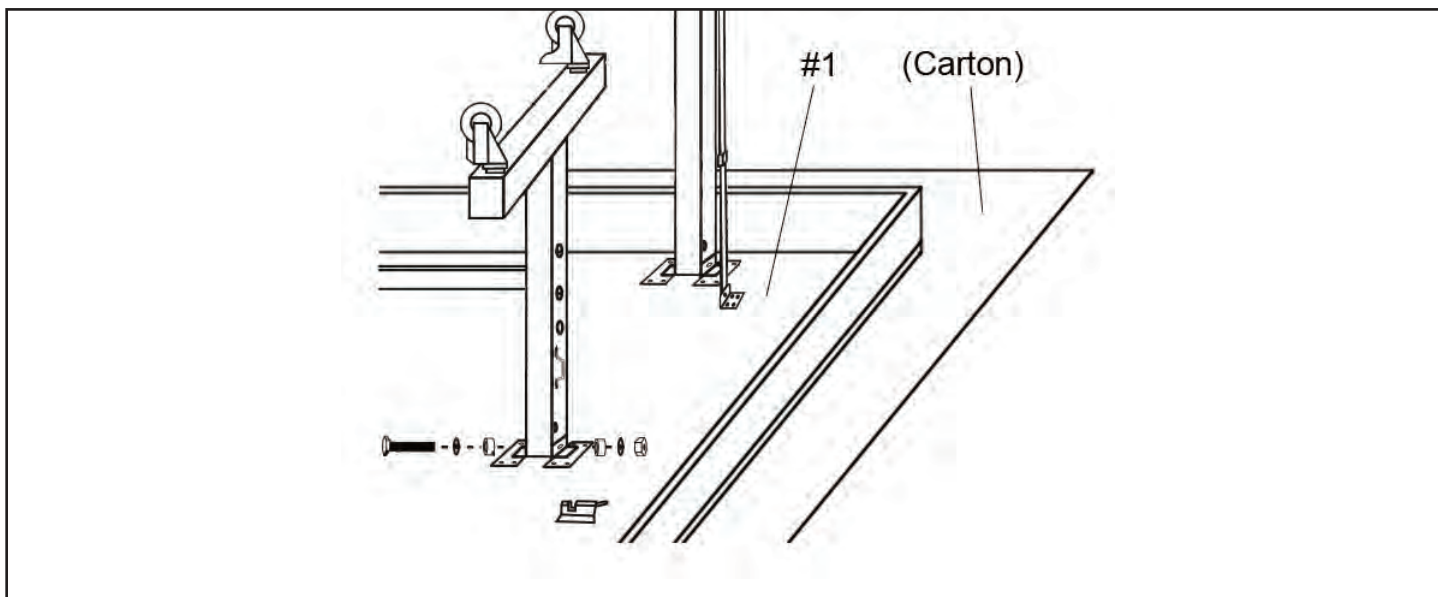


ASSEMBLY INSTRUCTIONS (CONT.)

3. Attach one LOCKING BRACKET #11 to each RIGHT WHEEL ASSEMBLY #2 with M6x65mm BOLT #12, 6mm FLAT WASHER #13 and 6mm NUT #14.

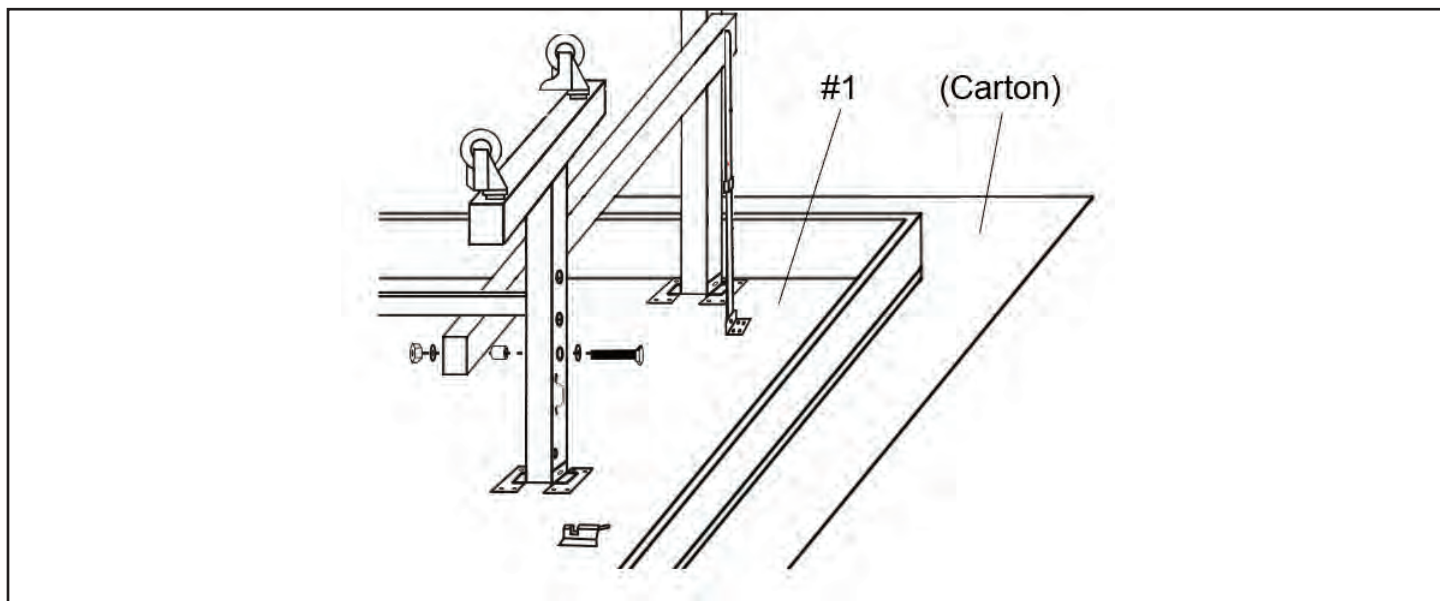


4. Lay each TABLE TOP HALF #1 upside-down on the cardboard shipping carton to protect the playing surface during assembly. Fold the pre-attached legs out of the way. Attach each WHEEL ASSEMBLY to the corresponding TABLE TOP HALF using the pre-installed bolts, spacers, washers and nuts. *Note: Make sure that the LOCKING BRACKET is on the same side as the lock latch installed onto each TABLE TOP HALF.*

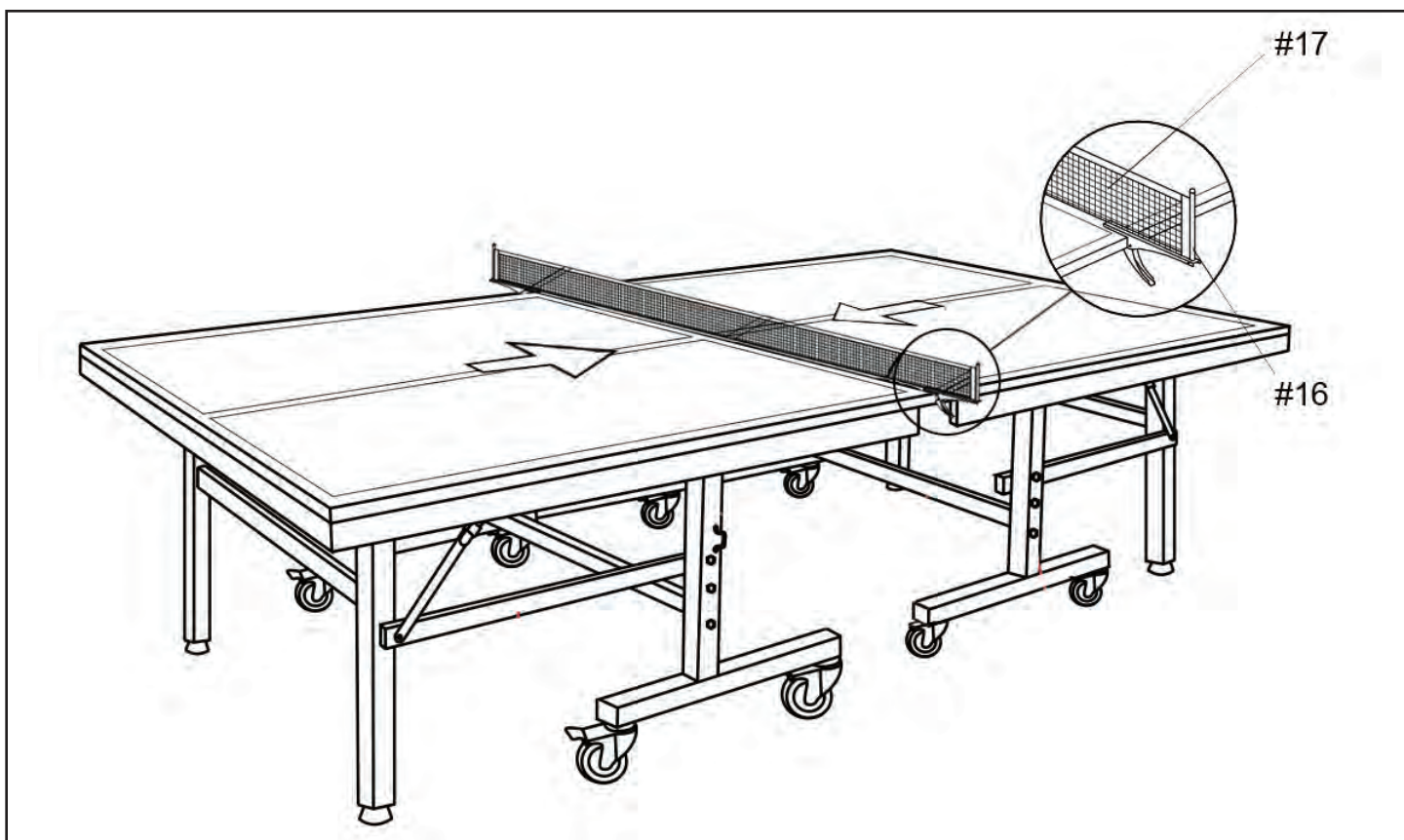


ASSEMBLY INSTRUCTIONS (CONT.)

5. Connect the pre-attached leg supports to each WHEEL ASSEMBLY as shown using the pre-installed bolts, spacers, washers and nuts..



6. Carefully turn each half of the table over. Push halves together. Clip each TABLE TENNIS NET POST #16 at the center line. Attach the TABLE TENNIS NET #17 to each post.

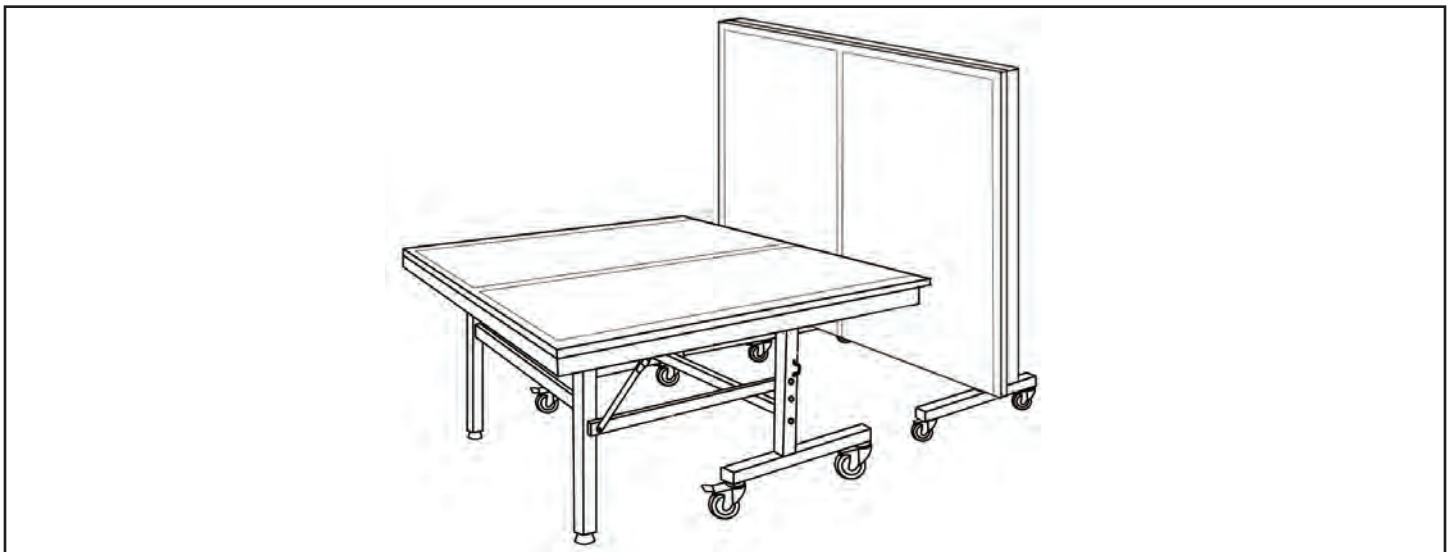


CONGRATULATIONS!

You have now assembled your Game Table. Please note the Care and Use instructions below to ensure years of trouble free use of your game table.

CARE AND USE

1. This product is intended for INDOOR use only.
2. Do NOT sit, climb or lean on the table.
3. ALWAYS lock the wheels for game play and while opening and closing this table. Press the tab down on each wheel to lock. Unlock wheels before moving the table. Moving the table with the wheels in locked position will damage the wheels and legs.
4. Leg levelers on the legs can be turned to level the table when used on uneven surfaces.
5. For single player practice or playback, fold one half of the table up, fold the legs down and latch the locking bracket. *Note: There should be a small gap between table halves when set up for playback.*



6. To store the table, fold both halves of the table up, fold the legs down and latch the locking bracket.
7. To lower the table, the legs must be pulled out slightly before releasing the locking latch.
8. Clean your table with a soft, damp (not wet) cloth only. DO NOT USE ANY CHEMICAL OR ABRASIVE CLEANING PRODUCTS.
9. Oil can be used to lubricate the wheels, latches and other moving parts to extend the life of your table.
10. Store the table in a dry area. Use a table cover to extend the life of your table.

1-YEAR LIMITED WARRANTY

This Challenger Manufacturing product is warranted to the original purchaser to be free from defects in material or workmanship for a period of ninety days from the date of the original retail purchase.

This warranty does not cover defects or damage due to improper installation, alteration, accident or any other event beyond the control of the manufacturer. Defects or damage resulting from misuse, abuse or negligence will void this warranty. This warranty does not cover scratching or damage that may result from normal usage.

This product is not intended for institutional or commercial use; Challenger Manufacturing does not assume any liability for such use. Institutional or commercial use will void this warranty.

This warranty is nontransferable and is expressly limited to the repair or replacement of the defective product. During the warranty period, Challenger Manufacturing shall repair or replace defective parts at no cost to the purchaser. Shipping charges and insurance are not covered and are the responsibility of the purchaser. Labor charges and related expenses for removal, installation or replacement of the product or components are not covered under this warranty.

Challenger Manufacturing reserves the right to make substitutions to warranty claims if parts or unavailable or obsolete.

Challenger Manufacturing shall not be liable for loss of use of the product or other consequential or incidental costs, expenses or damages incurred by the consumer of any other use. The user assumes all risk of injury resulting from the use of this product.

This warranty is expressly in lieu of all other warranties, expressed or implied, including warranties of merchantability or fitness for use to the extent permitted by Federal or state law. Neither Challenger Manufacturing nor any of its representatives assumes any other liability in connection with this product.

All warranty claims must be made through the retailer where the product was originally purchased. A purchase receipt or other proof of date of purchase will be required to process all warranty claims. The model number and part numbers found within the assembly instructions will be required when submitting any parts requests or warranty claims.

For further warranty information or inquiries, please call 800-759-0977