

The

# SPA CADDY

## Installation Sheet

**IMPORTANT!!**

**PLEASE READ CAREFULLY BEFORE INSTALLATION**

**!! CAUTION !!**

**Please read all instructions and precautions in this installation sheet before using this equipment. Save this installation sheet for future reference. Use this Caddy only as described in this installation sheet. Inspect and tighten all parts regularly, replace any worn or missing parts immediately.**

**!! WARNING !!**

**Adult assembly required. This package contains small parts which are a choking hazard. Keep children away from bags and parts until assembled. Dispose of packaging with care.**



BlueWave, St. Charles, IL 60174

**CUSTOMER SERVICE HOTLINE: 1-800-759-0977**

**!!! WARNING !!!**

**PLEASE READ**

**!!! WARNING !!!**

**DO NOT** attach or incorporate electrical appliances or accessories into or onto The Caddy as an electrical hazard could be created, resulting in injury or death.

**DO NOT** lean, sit or play around The Caddy that could cause a loss of balance resulting in injury.

**DO NOT** use either the Tower hanger or the Serving Tray as a support, grab point, seat or step. These items were not designed to support weight about 20 lbs. and by the nature of their sideways movement could easily cause a loss of balance resulting in injury.

**DO NOT** rotate Handrail when someone is in the line of swing. Check to insure that snap buttons are fully engaged into their locking recesses so someone will not inadvertently fall by grabbing a freely rotating Handrail.

You have options to attaching The Caddy to your spa either use Mounting Bracket to the spa cabinet or leaving it free-standing. You should be aware that the MAXIMUM degree of stability is achieved from the Mounting Bracket method. Those electing to allow the handrail to be free-standing should be prepared for an increased movement both sideways and backward away from spa.

Use of The Caddy for any application other than for which it was designed is solely at the purchaser's risk and Blue Wave will not be held liable for such use resulting in injury, property damage or damage to the product.

#### **Assembly Accessories and Parts List**

- A. Base Unit (1)**
- B. Post adaptor (1)**
- C. Handrail Post with Snap Button (1)**
- D. Handrail Assembly (1)**
- E. Serving Tray (1)**
- F. Limiting Collar (1)**
- G. Towel Bar Mounting Bracket (1)**
- H. Towel Bar (3)**
- I. Mounting Bracket (1)**
- J. #6-32 3/4" Stainless screw (6)**
- K. #6-32 Stainless insert lock nut (6)**

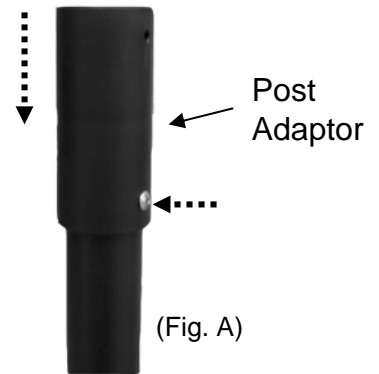
#### **Tools required for assembly:**

1. Phillips Screwdriver
2. 7/16" Open End Wrenches (2)

The Caddy relies on the weight of the filled spa to hold it in position. We recommend to install The Caddy with your normal water change and/or when spa is empty.

## Step 1:

Place the base up right (part A), install post adaptor (part B) to the base post with aligned holes. Install the 3/4" Stainless screw through aligned holes tighten with nut on the other end. (Fig. A)



## Step 2:

Install Handrail Post into Post Adaptor with aligned holes. Install the 3/4" stainless screw through aligned holes tighten with nut on the other end. (Fig B) Make sure this connection and all screws and nuts and are tighten very securely. (Fig. C)



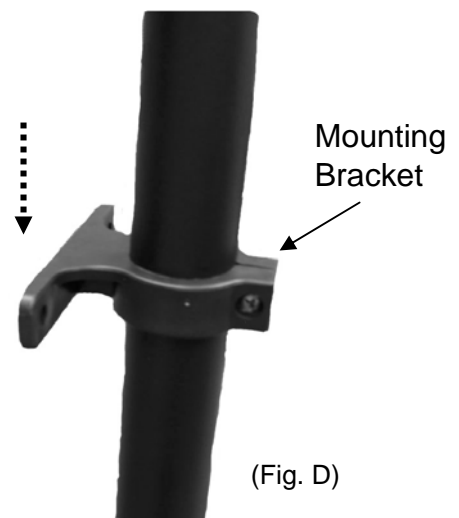
(Fig. C)



## Step 3:

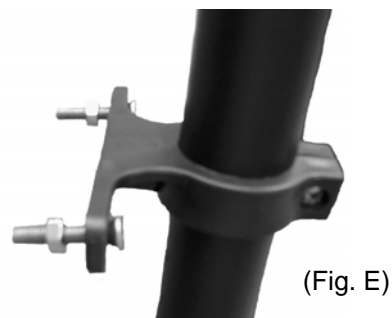
Slide the Mounting Bracket over the Handrail Post. (Fig. D) Insert the 6-32 locknut into one of the molded recesses in the clamp porting of the Mounting Bracket. Place a 6-32 machine screw through the flat washer and insert into the opposite side of the clamp.

**Do not tighten this time.** Slide the extended bottom of the Base Unit under the spa in the desired location with spa that have no more than 1" of overhang from the shell. Maintain 1" of clearance from spa cabinet to the Caddy Post. If with more than 1" overhang, it will be necessary to use the spacers in conjunction with the Mounting Bracket to achieve the proper fit.

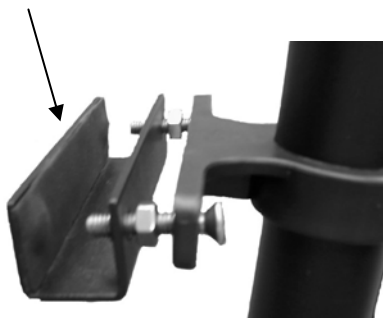


## Step 4:

Insert two the #12 x 1-1/2" stainless screw through the Mounting Bracket and insert with nuts on the other end to the half way of the screw. (Fig. E).



Channel



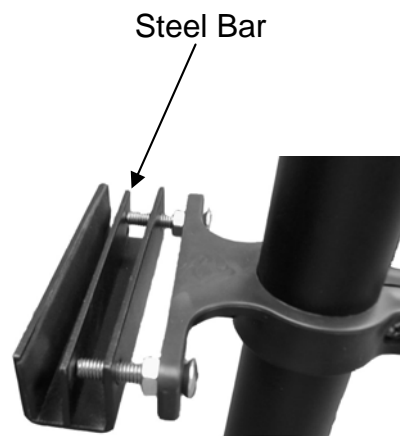
(Fig. F)

## Step 5:

Remove protective cover from back of Foam Pad and place Pad on the inner back side of the Mounting Bracket pressing into place. Secure the Channel with Mounting Bracket screws over the holes and thread screws into holes until the ends protrude about 3/16" to the inside. (Fig. F)

## Step 6:

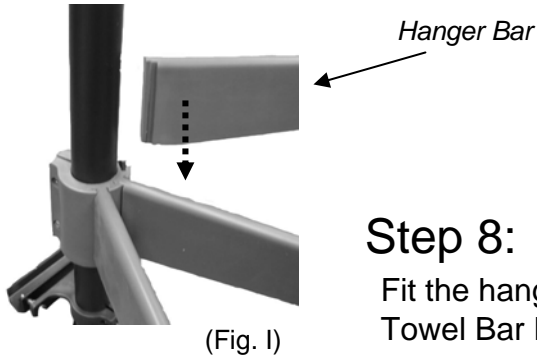
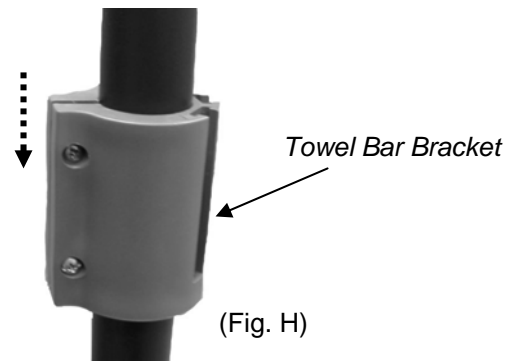
Place back side of Channel under the rear lip of the spa shell and lift upward until the shell stops it. Remove protective cover from back of Foam Pad and place Pad on one side of Steel Bar and place on the front side against with the spa shell. Grasping with your palm upward, hold all parts in alignment between your thumb and middle finger. With a Philips screw driver, bring both 1/4"-20 screws into slight contact with the steel bar. To prevent "walking" of the Steel Bar as you tighten the screws, remain holding the parts in alignment and alternate tightening the screws a little at a time. It is not necessary to heavily torque the screws, just achieve a firm snugness. Over tightening may result in damage to threads in Channel. With a 7/16" wrench, tighten the Hex Nuts back against the plastic Mounting Bracket until the fit is firm and the gap between the bracket is equal. Now, you can tighten the Mounting Bracket. (Fig. G)



(Fig. G)

## Step 7:

Slide the Towel Bar Bracket over the handrail post. (Fig. H) Insert the 3/4" stainless screw with nuts on the other end. Do not tighten this time.

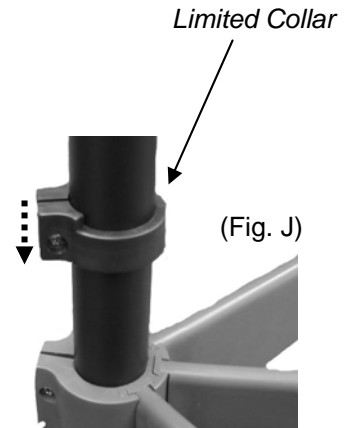


## Step 8:

Fit the hanger bar onto the Towel Bar Bracket. (Fig. I)

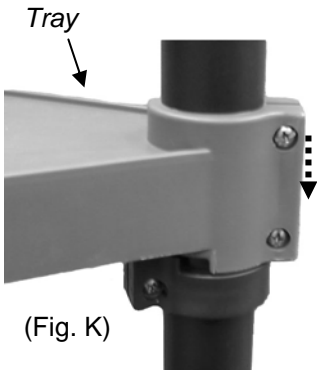
## Step 9:

Slide the Limited Collar over the Handrail Post. (Fig. J) Tighten with #6-32x3/4" Phillips Head Machine Screw and Nuts just enough to still allow rotation for adjustment.



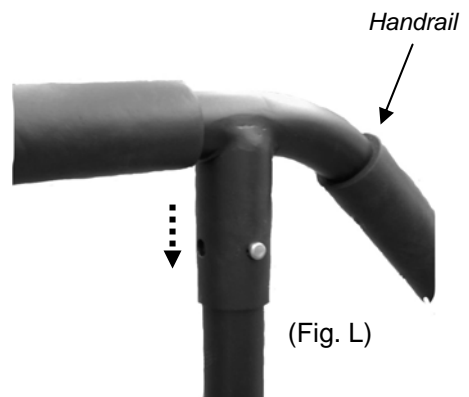
## Step 10:

Slide the Tray over the Handrail Post. (Fig. K) Tighten with #6-32x3/4" Phillips Head Machine Screw and Nuts just enough to provide a medium degree of resistance to rotation. (NOTE: Let the Tray cam into the Limiting Collar recess and rotate away from the step until the Tray has cleared the spa cabinet enough to allow your spa cover to be put down.) Rotate the Tray over spa and it should stop with the Tray just under the Handrail. Tighten the 6-32 x 3/4" Phillips Head screw in the Limiting Collar enough to provide a considerable resistance to rotation.



## Step 11:

Install Handrail over the top of Post and slide down while depressing Snap Buttons. Handrail was designed to lock in position with railing extending into tub and in either direction 90 degrees from tub to allow closure of spa cover. (Fig. L)



Refill water and enjoy.