

Pool Carton Breakdown – Aegean NB1050

PV18291530

**ESTATE OYS T 52 1530 ATLANTIS
CHANNEL LOK I OVAL**

Features: Oval
Size: 15' x 30'
Depth: 52"

Steel textured top rails
Wall with protectoloc finish
Galvanized steel bottom rails
Slotted tube stabilizers
2 Piece resin top connector

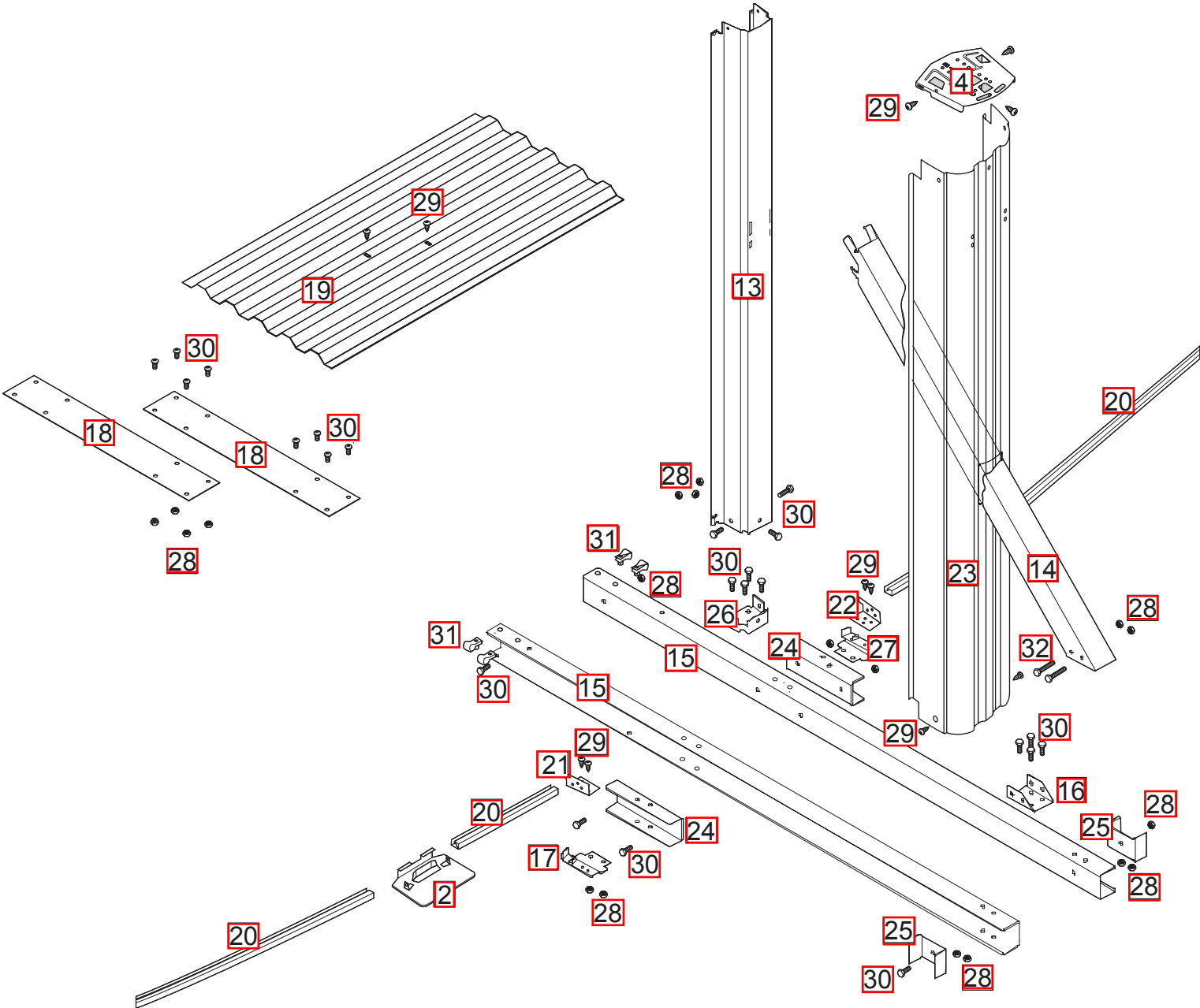
	Carton Part No.	Carton Description	Carton Qty.
<input type="checkbox"/>	311530654	1530' ESTATE OYSTER T FR PK	1
<input type="checkbox"/>	3406740	52" ESTATE OYS T VERT/DIAG 6 PK	1
<input type="checkbox"/>	3410740	52" ESTATE OYS T VERTICAL 10 PK	1
<input type="checkbox"/>	4016672	CONNECTOR PK ESTATE OYS 16 PK	1
<input type="checkbox"/>	43153091	1530' – 6" COMMON BASE RAIL PACK	1
<input type="checkbox"/>	39025203	52" CHANNEL LOK I MID PACK	3

	Wall Part No.	Wall Description	Carton Qty.
<input type="checkbox"/>	381530281	1530' x 52" ATLANTIS 12S 2-1/2R	1

AEGEAN OVAL POOLS - OVERVIEW

(Manuf. Name: ESTATE CHANNEL LOK I)

NB1050 15'x30' Oval



AEGEAN OVAL POOLS

(Manuf. Name: ESTATE CHANNEL LOK I)

NB1050 15'x30' Oval

TOP RAILS - KEY # 7 - FOUND IN TOP PACK (311530654)

Description	Measurements	Oyster "T"
12' Top Rail	45-19/32"	1450660
Common Length Top Rail	56-31/32"	1450661
Straight Top Rail	47-1/4"	1450662
Straight Top Rail	58-3/4"	1450663
Transition Top Rail	47-1/8"	1450664
Transition Top Rail	58-3/8"	1450665

VERTICALS - FOUND IN VERTICAL PACK (3406740)

Description	Measurements	Oyster "T"
Vertical Upright	51-1/2"	1440374
Notched Vertical Upright	51-1/2"	1440375
Diagonal	40-19/32"	1440321

CONNECTORS - FOUND IN CONNECTOR PACK (4016672)

Description	Key #	Oyster
Inner Connector	9	1490497
Outer Connector	10	1490511
Connector Hardware	11	1184232

AEGEAN (ESTATE) FRAME COMPONENTS - FOUND IN BASE RAIL PACK (43153091)

PART #	DESCRIPTION	KEY #	12 x 18'	12 x 24'	15 x 24'	15 x 30'	18 x 33'
1320143	Top Plate	4	12	16	14	16	18
1320100	Base Plate	2	10	10	10	10	12
1470108	Slotted Tube Conn.	-	10	10	10	10	12
1470087	Resin Slotted Tube Conn.	-	2	6	4	6	6
1470096	Slotted Tube x 44"	-	8	8			
1470097	Slotted Tube x 55-1/2"	-			8	8	
1470098	Slotted Tube x 55-1/4" (Yellow)	-	4				
1470098	Slotted Tube x 55-1/4" (Plain)	-					6
1470100	Slotted Tube x 55-1/2" (Green)	-			4	8	12
1470104	Slotted Tube x 44-1/8" (Blue)	-		4			
1470105	Slotted Tube x 44-1/8" (White)	-		4	2		
1460029	Btm Rail 12' Dia. x 44-5/8"	20	8	8			
1460030	Btm Rail 15' Dia. x 56"	20			8	8	
1460031	Btm Rail 18' Dia. x 56" (Yellow)	20	4				
1460031	Btm Rail 18' Dia. x 56" (Plain)	20					6
1460033	Btm Rail 24' Dia. x 56-1/4" (Green)	20		4			
1460105	Btm Rail 24' Dia. x 44-5/8" (White)	20				4	4
1460108	Btm Rail 18' Dia. x 44-5/8" (Blue)	20		4	2		
1510135	Strap 2-7/8X61-1/8 12'-CHLK 1	18	2	6			
1510136	Strap 2-7/8X54-1/8 15'-CHLK 1	18			6	9	
1510137	Strap 2-7/8X50-5/8 18'-CHLK 1	18					9
1920586	Channel Lok I Installation Manual	-	1	1	1	1	1

AEGEAN OVAL POOLS - Continued

(Manuf. Name: ESTATE CHANNEL LOK I)

NB1050 15'x30' Oval


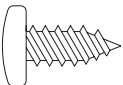
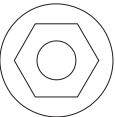

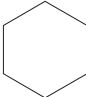
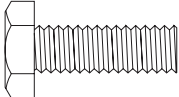
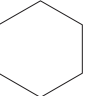
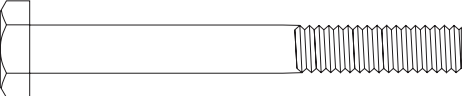
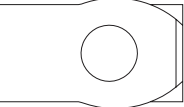
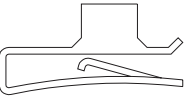
ESTATE FRAME COMPONENTS - FOUND IN MID PACK (39025203)

Description	Key #	Part Number
Base Channel	15	1440336
Buttress Upright	13	1440455
Reinforcing Bracket	24	1320150
Support Bracket	25	1320151
Diagonal Bracket	16	1320152
Left/Right Vertical Support Bracket	17/27	1320177
Oval Base Plate	26	1320154
Left/Right Vertical Clip	21/22	1320169
Hold Down Plate	19	1320165
Hardware Pack	-	1184294

COMPONENTS FOUND IN WALL -(381530281)

PART #	DESCRIPTION	12 x 18'	12 x 24'	15 x 24'	15 x 30'	18 x 33'
1382480	47" Round Coping	13	16	17	20	23
1184285	52" Joiner Hardware	1	1	1	1	1
1920602	Literature Pack	1	1	1	1	1
1182430	Wall Savor Gasket	1	1	1	1	1

HARDWARE FOR CHANNEL LOK I POOLS

DESCRIPTION	PART NUMBER	ACTUAL SIZE	TOOL REQUIRED FOR INSTALLATION
SELF TAPPING SCREW #12 x 1/2 INCH LONG	1183273	 	PHILLIPS NUMBER 3 SCREWDRIVER OR RED HANDLE #2 ROBERTSON SCREWDRIVER
SERRATED FLANGE HEXAGON NUT 1/4-20	1184052	 	7/16 INCH WRENCH OR SOCKET
HEXAGON HEAD BOLT 1/4-20 x 3/4 INCH LONG	1184275	 	7/16 INCH WRENCH OR SOCKET
HEXAGON HEAD BOLT 1/4-20x2-1/4 INCH LONG	1184276	 	7/16 INCH WRENCH OR SOCKET
NUT CLIP 1/4-20	1184278	 	NO TOOL REQUIRED