

Pool Carton Breakdown – Aruba NB1286

PV21321833

**CHATEAU SAND RESIN 54 1833 SERENADE
GIBRALTAR OVAL**

Features: Oval
Size: 18' x 33'
Depth: 54"

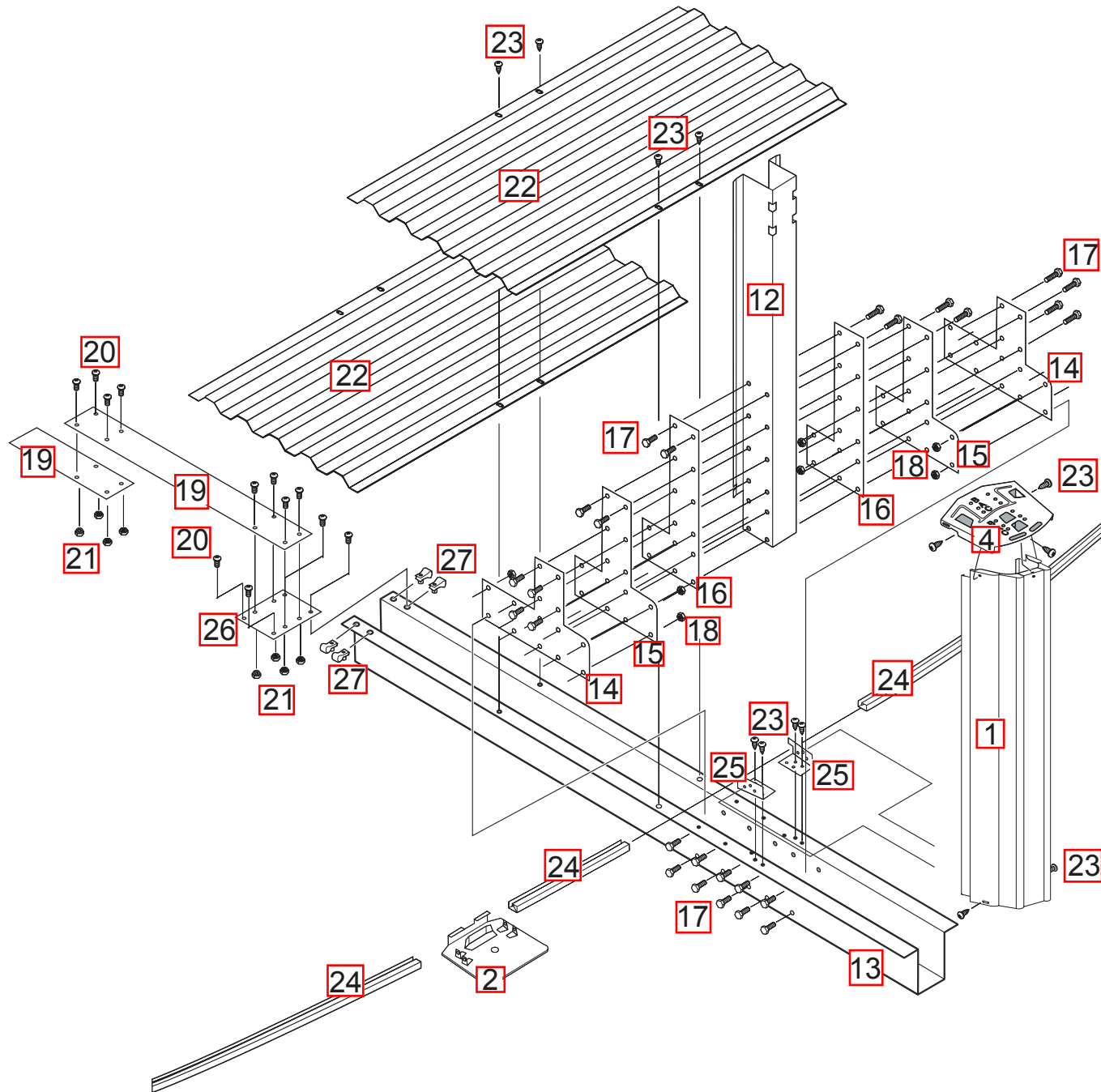
Resin top rails and verticals
Wall with protectoloc finish
Resin bottom rails and plates
Slotted tube stabilizers
2 Piece resin top connector

	Carton Part No.	Carton Description	Carton Qty.
<input type="checkbox"/>	311833694	1833' CHATEAU SAND RESIN T FRAME PACK	1
<input type="checkbox"/>	341833758	1833' x 54" CHATEAU SAND RESIN BASE PK	1
<input type="checkbox"/>	4018733	CONNECTOR CHATEAU SAND 16 PACK	1
<input type="checkbox"/>	39005203	52/54" GIBRALTAR MID PACK	3

	Wall Part No.	Wall Description	Carton Qty.
<input type="checkbox"/>	381833387	1833' x 54" SERENADE 12S 2-1/2R (C)	1

ARUBA 18'x33' OVAL POOL - OVERVIEW

(Manuf. Name: CHATEAU - GIBRALTAR)



ARUBA 18'x33' OVAL

(Manuf. Name: CHATEAU - GIBRALTAR)

TOP RAILS - KEY # 7 - FOUND IN TOP PACK (311833694)

Description	Measurements	Sand Resin
12' Top Rail	45-5/8"	1450670
Common Length Top Rail	56-29/32"	1450671
Transition Top Rail	47-1/16"	1450672
Transition Top Rail	58-5/16"	1450673
Straight Top Rail	47-15/16"	1450674
Straight Top Rail	59-7/16"	1450675

VERTICAL'S - FOUND IN BASE PACK (341833758)

Description	Measurements	Sand Resin
Vertical Upright	53-1/2"	1440490

CONNECTORS - FOUND IN CONNECTOR PACK (4018733)

Description	Key #	Sand
Inner Connector	9	1490451
Outer Connector	10	1490581
Connector Hardware	11	1184232

ARUBA (CHATEAU) FRAME COMPONENTS - FOUND IN BASE PACK (341833758)

PART #	DESCRIPTION	KEY #	12 x 18'	12 x 24'	15 x 24'	15 x 30'	18 x 33'
1320143	Top Plate	4	12	16	14	16	18
1320170	Resin Base Plate	2	10	10	10	10	12
1470108	Slotted Tube Conn.	-	10	10	10	10	12
1470087	Resin Slotted Tube Conn.	-	2	6	4	6	6
1320169	Vertical Bracket	21/22	2	6	4	6	6
1440490	Chateau Vert Upright x 53-1/2"	1	12	16	14	16	18
1470096	Slotted Tube x 44"	-	8	8			
1470097	Slotted Tube x 55-1/2"	-			8	8	
1470098	Slotted Tube x 55-1/4" (Yellow)	-	4				
1470098	Slotted Tube x 55-1/4" (Plain)	-					6
1470100	Slotted Tube x 55-1/2" (Green)	-			4	8	12
1470104	Slotted Tube x 44-1/8" (Blue)	-		4			
1470105	Slotted Tube x 44-1/8" (White)	-		4	2		
1460181	RES BTM RL 12'DIAX42-5/8"(07)	24	8	8			
1460182	RES BTM RL 15' DIA X 54"(07)	24			8	8	
1460183	RES BTM RL 18' DIA X 54"(07)	24					6
1460185	RES BTM RL24'DIAX54-1/4"BLK-07	24					4
1460189	RES BTM RL 18'DIA X 55"YLW-07	24	4				
1460190	RES BTM RL 18'DIAX43-5/8 BL-07	24		4			
1460191	RES BTM RL 24'DIAX55-1/4GRN-07	24			4	4	4
1460192	RES BTM RL 24'DIAX44-5/8WHT-07	24		4	2		
1460193	RES BTM RL 24'DIAX56-1/4RED-07	24				4	4
1510139	12' Strap 2-7/8" X 46-9/16"	19	2	6			
1510140	15' Strap 2-7/8" X 44-7/16"	19			4	6	
1510141	18' Strap 2-7/8" X 56-7/16"	19					6
1920585	Gibraltar installation manual	-	1	1	1	1	1

OVAL COMPONENTS - FOUND IN MID PACK (39005203)



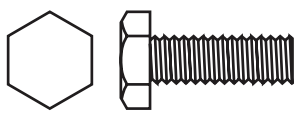
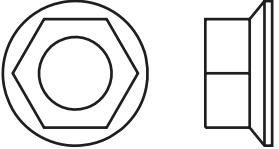
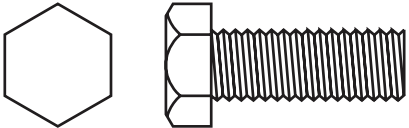

Description	Key #	Part Number
Upright Channel	12	1440383
Bottom Channel	13	1440335
Outside "T" Bracket	14	1320139
Middle "T" Bracket	15	1320138
Inside "L" Bracket	16	1320147
Hold Down Plate	22	1320166
Strap Bracket	26	1320164
Hardware Pack	-	1184293

ARUBA 18'x33' OVAL - Continued

(Manuf. Name: CHATEAU - GIBRALTAR)

ARUBA (CHATEAU - GIBRALTAR) COMPONENTS FOUND IN WALL - 381833387

PART #	DESCRIPTION	12 x 18'	12 x 24'	15 x 24'	15 x 30'	18 x 33'
1382480	47" Round Coping	13	16	17	20	23
1184341	54" Joiner Hardware	1	1	1	1	1
1920602	Literature Pack	1	1	1	1	1
1182434	Wall Savor Gasket	1	1	1	1	1

HARDWARE FOR GIBRALTAR			
DESCRIPTION	PART NUMBER	ACTUAL SIZE	KEY NUMBER
SELF TAPPING SCREW #12 x 5/8 INCH LONG	1184105		23
SERRATED FLANGE HEXAGON NUT 1/4-20	1184052		21
HEXAGON HEAD BOLT 1/4-20 x 3/4 INCH LONG	1184275		20
SERRATED FLANGE HEXAGON NUT 3/8-16	1184238		18
HEXAGON HEAD BOLT 3/8-16 x 1 INCH LONG	1184237		17
NUT CLIP 1/4-20	1184278		27