

Pool Carton Breakdown – Atlantis 52” NB1020

PR18271500

ESPRIT II PW T 52 1500 HARMONY

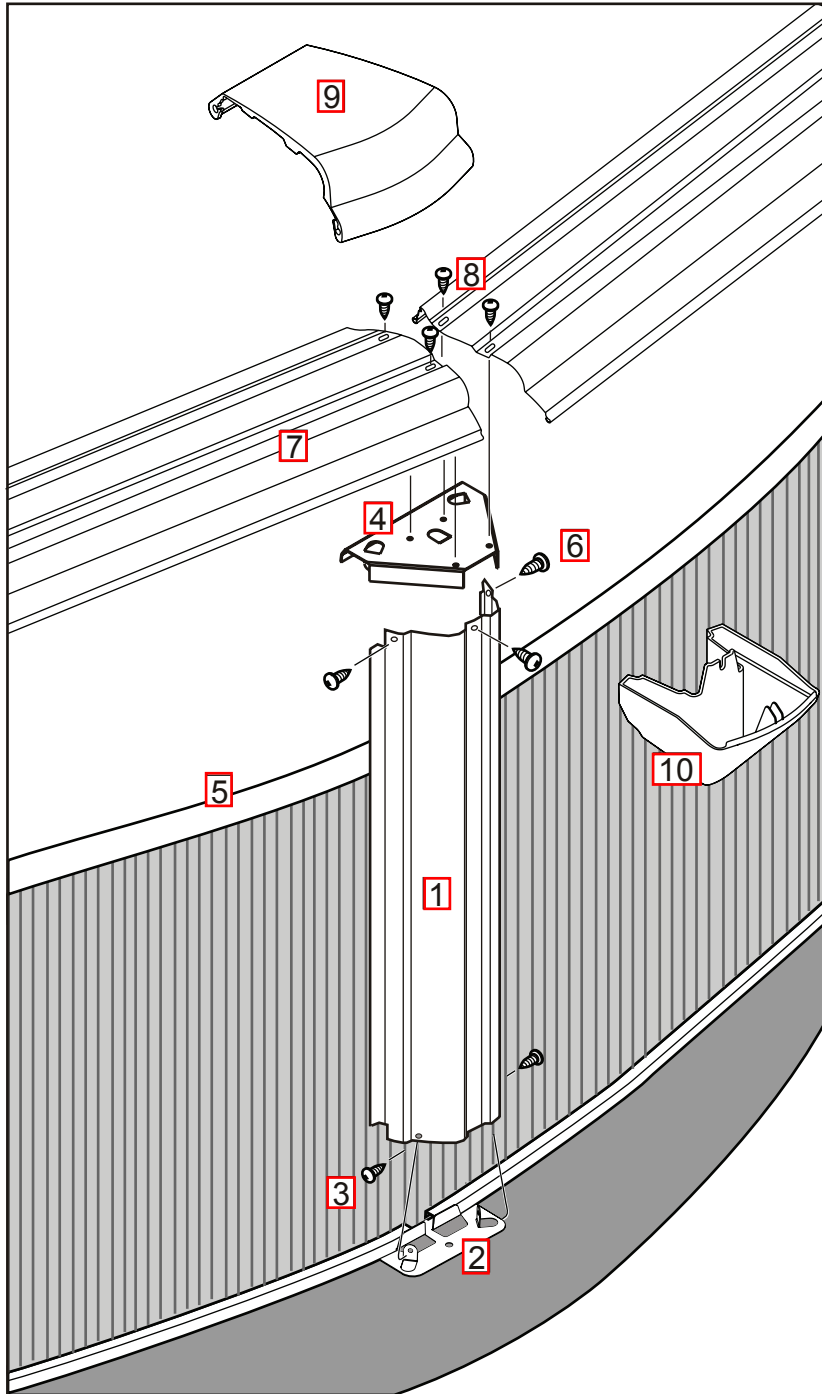
Features: Round
Size: 15'
Depth: 52"

Steel textured top rails
Wall with protectoloc finish
Galvanized steel bottom rails
Slotted tube stabilizers

	Carton Part No.	Carton Description	Carton Qty.
<input type="checkbox"/>	301500675	15' x 52" ESPRIT II P/W T FR PK	1

	Wall Part No.	Wall Description	Carton Qty.
<input type="checkbox"/>	381500242	15' x 52" HARMONY 12S 2-1/2R	1

NB1020 15' Round



ATLANTIS 52'' - ROUND

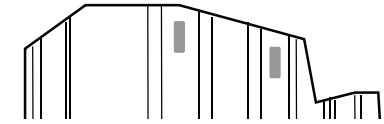
(Manuf. Name: ESPRIT)

TOP RAILS - KEY # 7 - FOUND IN FRAME PACK (301500675)

Description	Measurements	Pearl White "T"
12' Esprit P/W Top Rails	45-15/32"	1450299
Common Esprit P/W Top Rails	56-27/32"	1450301



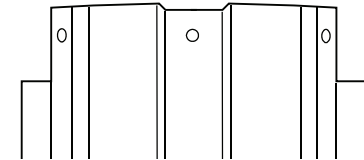
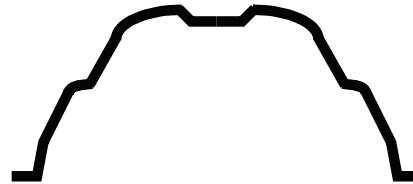
SECTIONAL VIEW



END HOLE PATTERN

VERTICAL'S - KEY # 1 - FOUND IN FRAME PACK (301500675)

Description	Measurements	Pearl White "T"
Esprit P/W Vertical Upright	51-1/2"	1440296



CONNECTORS - KEY # 9 & 10 - FOUND IN FRAME PACK (301500675)

Description	Pearl White "T"
Connector	1490148
Lower Connector	1490545

INSTRUCTIONS - FOUND IN FRAME PACK (301500675)

Description	Part Number
Round Ground Prep	1920283
Esprit Frame Assembly	1920285
Bulletin - 2pc Round	1920717

QUANTITY OF TOP RAILS, VERTICAL'S & CONNECTORS

12'	15'	18'	21'	24'	27'	30'
10	10	12	14	16	18	20

