

Pool Breakdown

Atlantis 18'x33' Oval 48"

NB0912

(Mfr. Name: Esprit)

<p><u>FEATURES:</u> Oval Size: 18'x33' Depth: 48" 25 Year Warranty</p>	<p><u>STRUCTURE COMPOSITION:</u> Steel Textured Top Seat Steel Frame Protectoloc Protective Finish</p>
---	--

	Qty	Carton #	Carton Content Description
<input type="checkbox"/>	1	361833819	Top Seats, Vertical Uprights, Base & Top Plates, Slotted Tubes, Bottom Rails, Rail Supports, Hardware Packs, Connectors, Frame and Assembly Instructions
<input type="checkbox"/>	1	3901480642	Uprights, Diagonals, Hold Down Plates, Base Plates, Diagonal Brackets, Hardware Pack
<input type="checkbox"/>	1	36183310	Straps
<input type="checkbox"/>	1	381833431	48" Wall, Coping, Wall Joining Hardware, and Literature

Carton Breakdown

Atlantis 18'x33' Oval 48''

NB0912

(Mfr. Name: Esprit)

FRAME CARTON # 36183310

	Key #	Qty	Part #	Order #	Part Description
<input type="checkbox"/>	7	10	1450873	NBP2165	Esprit Top Rails
<input type="checkbox"/>	1	12	UR10006	NBP2161	48" Vertical Upright
<input type="checkbox"/>	2	12	1320101	NBP2114	Base Plate
<input type="checkbox"/>	4	12	1320102	NBP2115	Top Plate
<input type="checkbox"/>	17	6	1320160	NBP2116	Side Top Plate
<input type="checkbox"/>	18	6	1460050	NBP2130	Bottom Rail 15' x 56"
<input type="checkbox"/>	18	8	1460152	NBP2132	Bottom Rail 24' x 56 1/4" (orange)
<input type="checkbox"/>	18	4	1460033	NBP2038	Bottom Rail 24' x 56 1/4" (green)
<input type="checkbox"/>	7	4	1450875	NBP2172	Transition Top Rail
<input type="checkbox"/>	7	4	1450877	NBP2173	Straight Rail
<input type="checkbox"/>	19	4	1490494	NBP2137	Rail Support
<input type="checkbox"/>	5	6	1470098	NBP2005	Slotted Tube 18' x 55 1/4" (yellow)
<input type="checkbox"/>	5	12	1470100	NBP2007	Slotted Tube 24' x 55 1/2" (green)
<input type="checkbox"/>	---	6	1470087	NBP2002	Resin 6" Slotted Tube
<input type="checkbox"/>	---	12	1470108	NBP2012	6" Slotted Tube
<input type="checkbox"/>	9	18	1490837	NBP2162	Top Connectors
<input type="checkbox"/>	10	12	1490849	NBP2163	Lower Connectors
<input type="checkbox"/>	10	6	1490850	NBP2169	Side Lower Connectors
<input type="checkbox"/>	3,6,8	1	1184016	NBP2107	Hardware Pack (Qty. 59)
<input type="checkbox"/>	3,6,8	1	1184017	NBP2108	Hardware Pack (Qty. 77)
<input type="checkbox"/>	3,6,8	1	1184031	NBP2110	Hardware Pack (Qty. 29)
<input type="checkbox"/>	---	1	1920285	NBP2143	Frame Instructions
<input type="checkbox"/>	---	1	1920582	NBP2144	Channel Lok II Assembly
<input type="checkbox"/>	---	1	1920629	NBP2145	Bulletin – Concrete Installation
<input type="checkbox"/>	---	1	1920717	NBP2147	Bulletin – 2 Piece Connector

Atlantis 18'x33' Oval 48''

NB0912

(Mfr. Name: Esprit)

BUTTRESS CARTON # 3901480642

	Key #	Qty	Part #	Order #	Part Description
<input type="checkbox"/>	11	6	CL10002	NBP2170	47 ½" Vertical Upright
<input type="checkbox"/>	12	6	1440349	NBP2171	Diagonal
<input type="checkbox"/>	16	6	1320162	NBP2117	Hold Down Plate
<input type="checkbox"/>	14	6	1320152	NBP2062	Diagonal Bracket
<input type="checkbox"/>	15	6	1320154	NBP2020	Base Plate
<input type="checkbox"/>	---	3	1184292	NBP2113	Hardware Pack

STRAP CARTON # 36183310

	Key #	Qty	Part #	Order #	Part Description
<input type="checkbox"/>	13	3	1510134	NBP2142	18' Straps

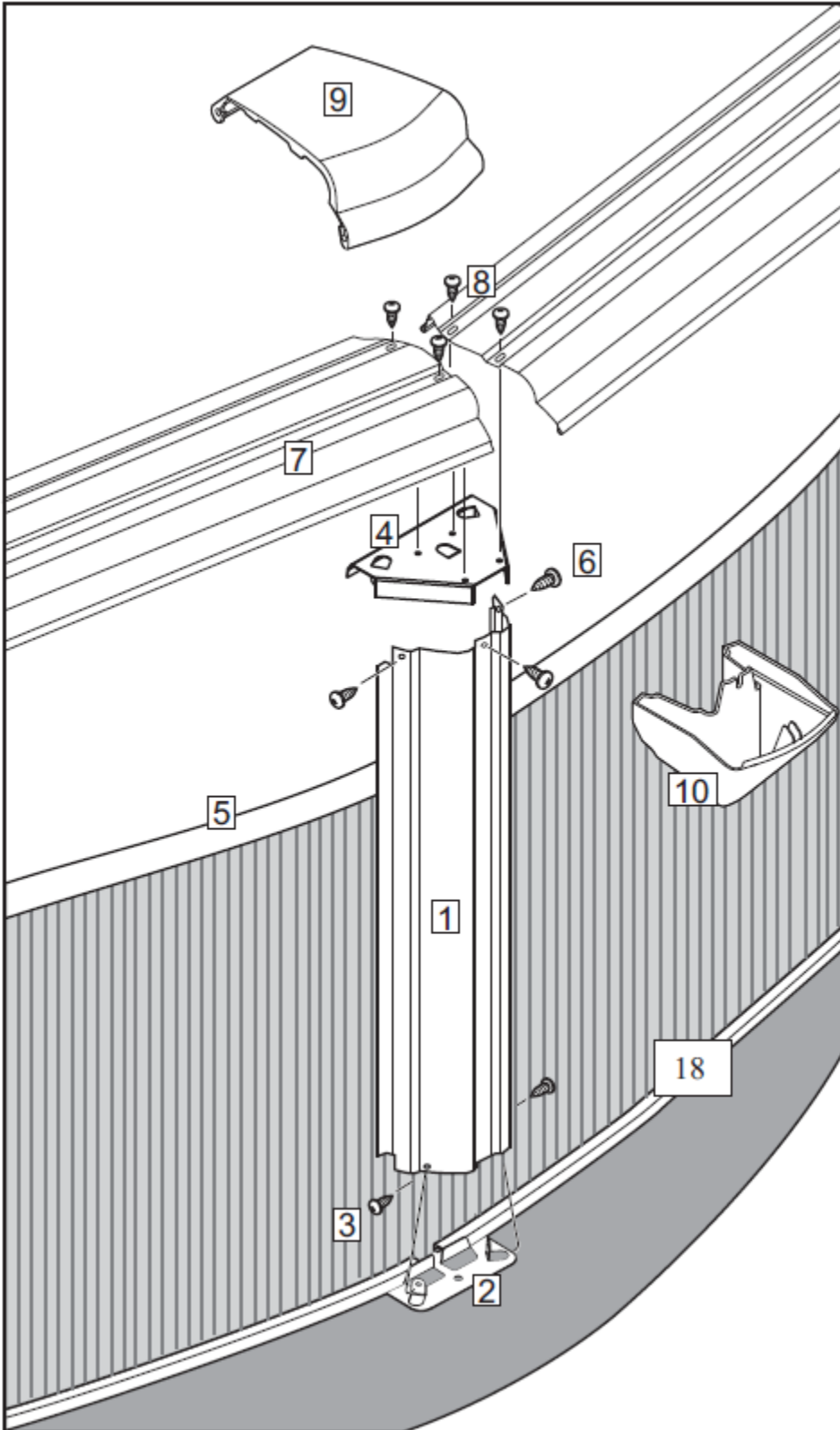
WALL CARTON # 381833431

	Key #	Qty	Part #	Order #	Part Description
<input type="checkbox"/>	---	23	1382480	NBP2001	Coping
<input type="checkbox"/>	---	1	1184201	NBP2112	48" Joiner Hardware
<input type="checkbox"/>	---	1	1920602	NBP2013	Literature Pack
<input type="checkbox"/>	---	1	1920797		Bulletin – Wall Saver Gasket
<input type="checkbox"/>	---	1	48" WALL	-----	48" Steel Melody Wall

Atlantis 18'x33' Oval 48''

NB0912

(Mfr. Name: Esprit)

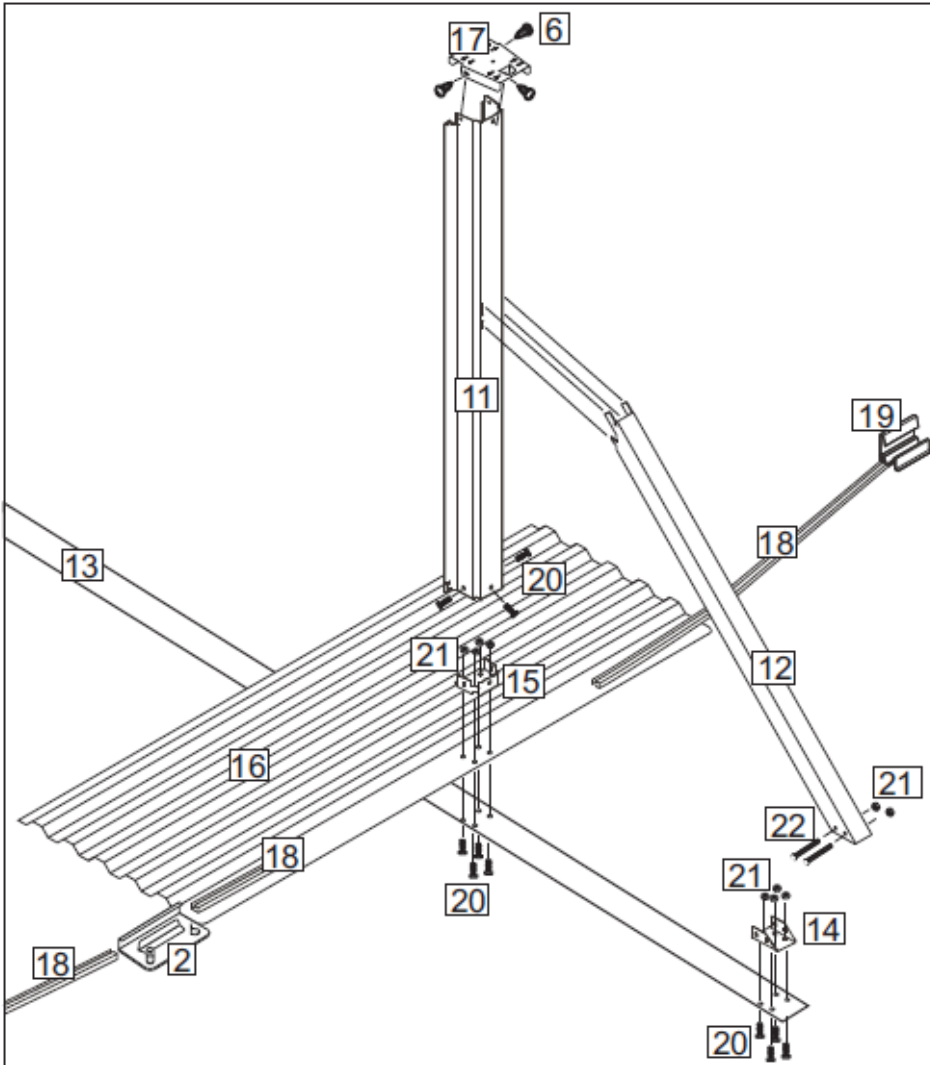


Key #	Part Description
1	48" Vertical Upright
2	Base Plate
3,6,8	Hardware Pack
4	Top Plate
5	Slotted Tube
7	Esprit Top Rails
9	Top Connectors
10	Lower Connectors
18	Bottom Rail

Atlantis 18'x33' Oval 48''

NB0912

(Mfr. Name: Esprit)



Key #	Part Description
2	Base Plate
3,6,8	Hardware Pack
11	Upright 47 1/2"
12	Diagonal
13	Strap
14	Diagonal Bracket
15	Base Plate
16	Hold Down Plate
17	Side Top Plate
18	Bottom Rail
19	Rail Support
20, 21, 22	Hardware Pack

Important – Read Me First

For Esprit Pools

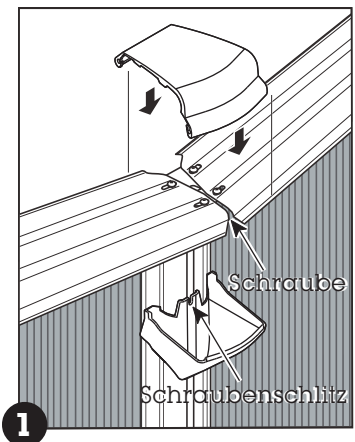
SECTION 4 Installing the Top Rails & Verticals

When you come to Section 4, page 4-3 in the Pool Frame Installation Manual, **INSERT** this additional step after completing Step 3:

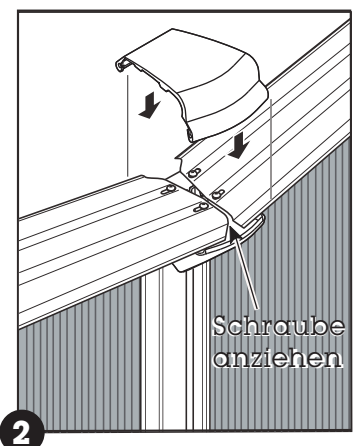
4. Install the Top Connectors

IMPORTANT: For round pools follow the directions below and then return to the frame manual. For oval pools, two variations of the connector have been supplied with the pool. Both install in the same manner, look at the back face of the connector if it resembles the vertical install it on the round ends of the pool. If it does not resemble the vertical install it on the buttress.

- a. Loosen the front screw used to secure the top plate to the vertical.
- b. Place a bottom connector against a vertical as shown in diagram 1.



- c. Slide the bottom connector upwards until the slot on the connector rests under the screw.
- d. Tighten the screw and repeat for the other verticals.



Important: When installing the top connector, ensure the front lip of the connector is over the top lip of the bottom connector.

Additional Installation Information

Pools

○ Part No. 1920797

rev. 0

Important – Read Me First

For Round and Oval Pools

SECTION 3 Assemble Your Pool Wall

When you come to Section 3, page 3-4 in the Installation Manual, replace step 7(α) with the information below.

- α. The "Wall Saver" gasket has not been supplied with the pool. It is no longer required for above-ground pools. Proceed to the next step in the installation manual. The warranty will not be affected by not using the gasket.



No Diving or Jumping.



Observe all Safety Rules.

Important – à lire en premier

Pour les piscines ovales et rondes

SECTION 3 Assemblez la mur de votre piscine

Lorsque vous arriverez à la section 3, page 3-4 du manuel d'installation de la structure de la piscine, REMPLACEZ l'étape 7(α) avec ce qui suit:

- α. Le joint "Protège Mur" n'a pas été fourni avec la piscine. Il n'est plus requis pour les piscines hors terre. Procédez à la prochaine étape dans le manuel d'installation. La garantie ne sera pas affectée par l'omission de ce joint.



Ne pas plonger ou sauter.



Observer toutes les règles de sécurité.

ADDITIONAL INSTALLATION INFORMATION

(Channel-Lok II Oval pools)
Part No. 1920629 Rev. 0

IMPORTANT – READ ME FIRST FOR CHANNEL-LOK II OVAL POOLS

The Channel-Lok II oval system has been specially engineered to allow for installation on a flat concrete pad. The pad must be a minimum of 3" thick poured onto solid undisturbed ground.

INFORMATION D'INSTALLATION ADDITIONNELLE

IMPORTANT – LIRE EN PREMIER POUR PISCINES OVALES CHANNEL-LOK II

Le système ovale Channel-Lok II a été conçu spécialement pour installation sur une surface plate de béton. La surface doit être d'une épaisseur d'au moins 3" et versée sur un sol solide où aucun remplissage n'a été fait.