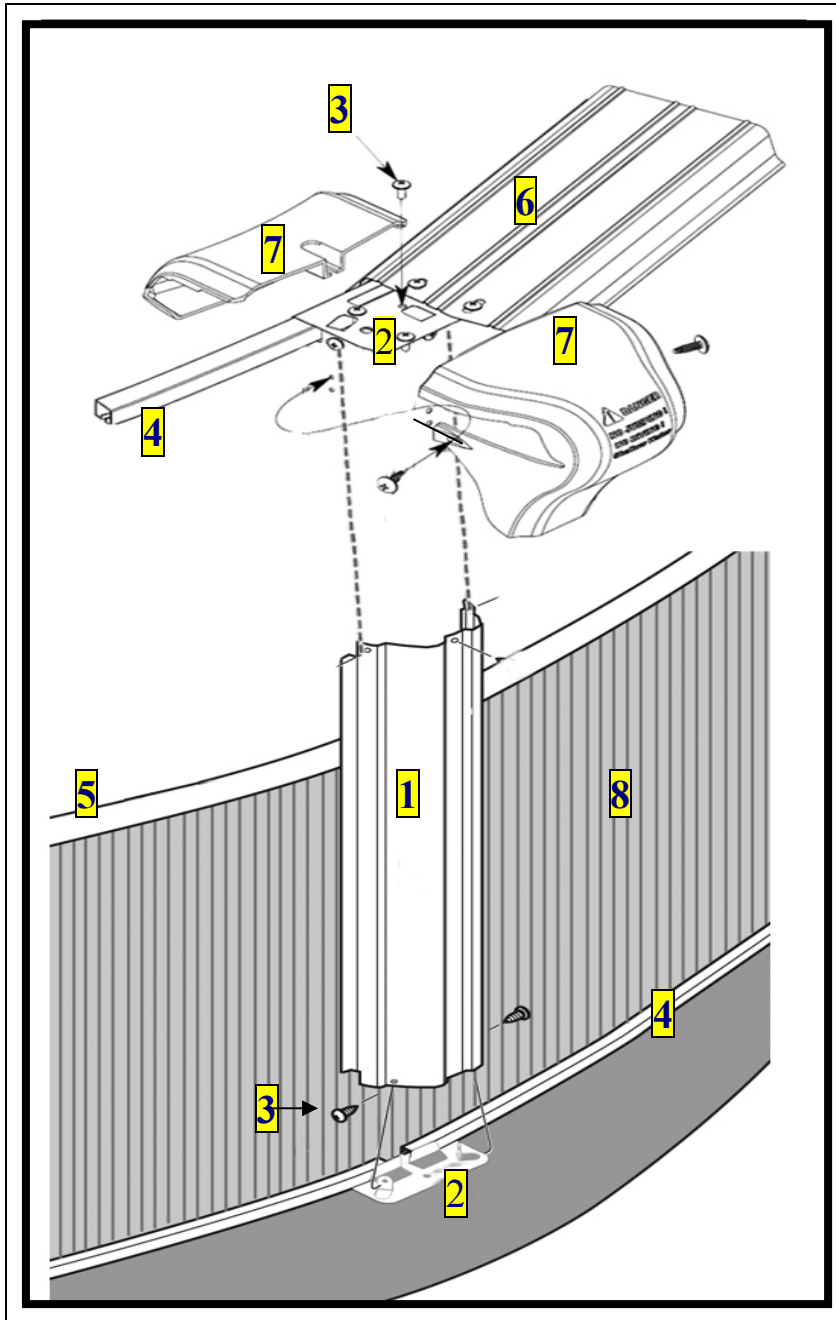


# 7" Fijian 33' ROUND 52"

NB1619



## FRAME CARTON # 3352-7HN-CX-2

Key	Item #	Mfg Part #	Description
1	NBP1037	2377	7in Vertical (52" High)
4	NBP1041	1815	1in Rail L=1431mm (56-3/8")
6	NBP1036	1174	7in Top Seat L=1132 (44-5/8")

## FRAME CARTON # 33-7N-CX-3

2	NBP1042	2173	7in Joint Plate
3	NBP1032	3318	Seat Cover Hardware Package
7	NBP1038	2475	7in Seat Cover

## SIDE WALL CARTON # 3352-SPT-W

5	NL108	8100	Plastic Edging
8	X	52" Wall	Pattern - Soft Tail Grey
X	NB1021	0113	Wall Joint Package

Quantity of Verticals & Top Rails = 22

Quantity of Top / Base Plates = 44