



# UNIVERSAL INSTRUCTIONS

## ROUND POOLS

PLEASE READ THESE INSTRUCTIONS CAREFULLY AND THOROUGHLY BEFORE STARTING GROUND PREPARATION AND POOL ASSEMBLY. DOING SO WILL PREVENT PROBLEMS.

	Page
Round Pool: General information -----	1
1) Selection pool site -----	1
2) Ground preparation -----	2
3) Assembling bottom rail -----	2
4) Installing wall -----	3
5) Build an earth mound (cove) -----	3
6) Through the wall skimmer -----	4
7) Liner installation. -----	4
Please refer to "Assemble TopSeat , Vertical and Cover" of an attached sheet.	
8) Install the Top Rail and Upper Joint -----	4
9) Filling the pool -----	4
10) Helpfull information -----	5
11) SAFTY RULES -----	5

**GENERAL INFORMATION**

Before attempting to set up the pool, read the entire instructions. There are certain areas in the instructions that are extremely important to follow exactly as written and/or pictured. Any deviation from these instructions voids warranty of the pool and could cause bodily harm or damage to your property.

Open the cartons and remove all parts except steel wall and liner. Before pool assembly, you must identify, count and check all parts for assembly by parts list. Familiarize yourself with all of the parts. Refer to the parts list.

**CAUTION:** Do not start the installation of your pool unless you have an entire day to finish the work.  
Do not try to set up your pool on a windy day.  
The wall will be difficult or even impossible to handle.

An average pool needs 2 or 3 people for installation. The following tools and materials are needed.

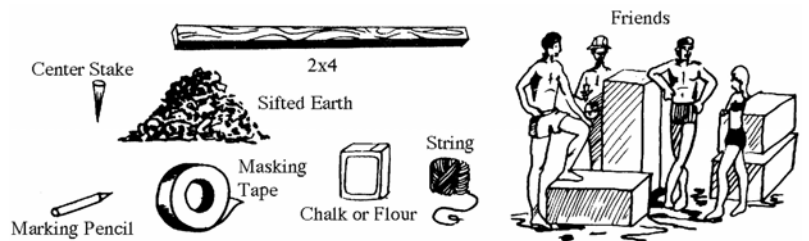
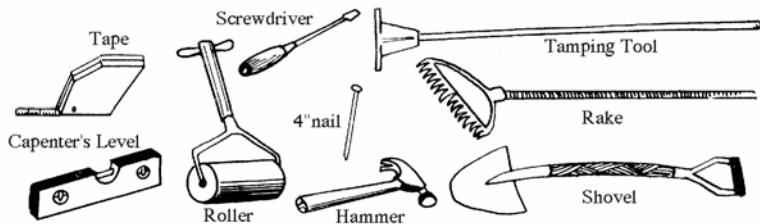
- |                   |                |                |
|-------------------|----------------|----------------|
| Screwdriver       | Earth Roller   | Shovel         |
| Tamping Tool      | String         | Marking Pencil |
| Pegs and Stakes   | Hammer & Nails | Masking Tape   |
| Carpenter's Level | Sand           | Rake           |
| Measuring Tape    | 2"x4" Board    | Chalk or Flour |
| Patio Block       |                | Plastic Tape   |

**FAILURE TO OBSERVE ANY OF THE ABOVE INSTRUCTIONS WILL VOID WARRANTY.**

**SIFTED EARTH OR SAND NEEDED PER EACH SIZE POOL AS FOLLOWS:**

12' Diameter Pool	18 cubic feet
15' Diameter Pool	29 cubic feet
18' Diameter Pool	42 cubic feet
21' Diameter Pool	57 cubic feet
24' Diameter Pool	74 cubic feet
27' Diameter Pool	94 cubic feet
30' Diameter Pool	116 cubic feet
33' Diameter Pool	140 cubic feet

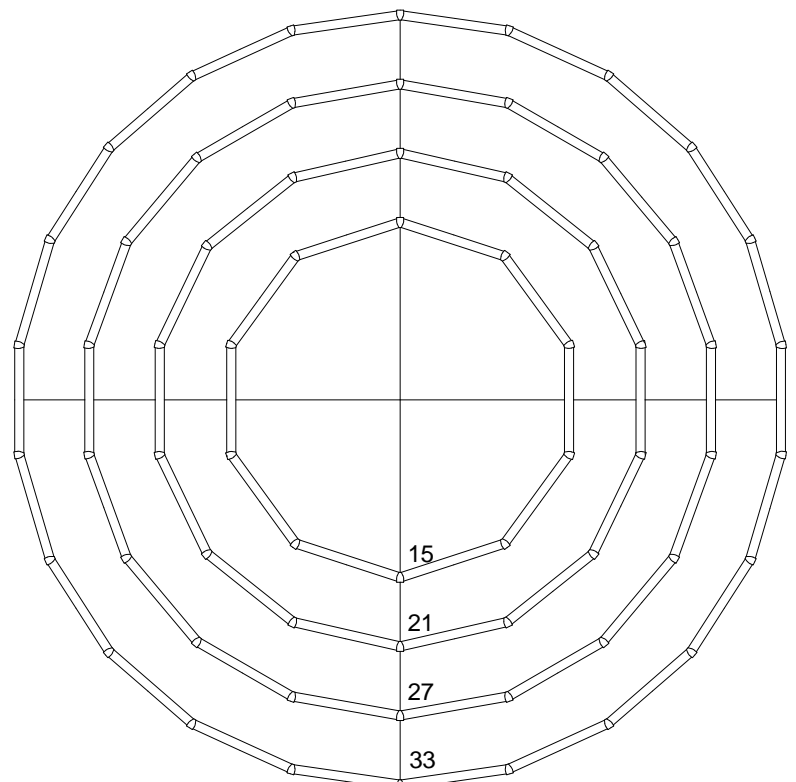
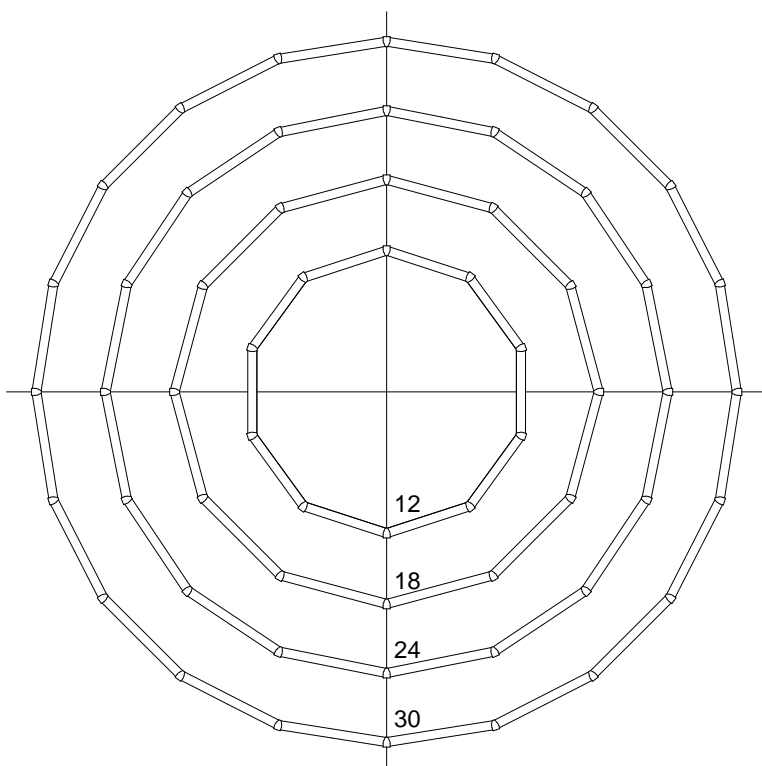
**TOOLS & MATERIALS**



**1) SELECTION OF POOL SITE**

Before starting the installation, the following points are important;

- The site must be large enough to accommodate the pool with plenty of area around it for pool accessories, chairs, tables etc.
- Determine where your filtration and skimmer will be located. It must be connected to a grounded 110 volt electrical outlet, with a G.F.I. (Ground Fault Interrupter)
- The pool must be in reach of your water supply. Although the water should not be drained, but kept clean through filtration and chemicals, there should be drainage facilities near in case of need.
- Perimeter area of ground must be absolutely level and firm. All grass and sod under entire pool area must be dug out to avoid unpleasant odors from decomposition under the pool due to lack of air. Remove sharp objects, stones, twigs, pebbles, roots, etc. They may damage the liner. If the ground has been treated with chemicals or weed killer allow two weeks before setting up the pool. Do not set up the pool on concrete, asphalt, tar paper, peatmoss, sand, gravel, or where nut grass has been planted. Poorly prepared ground could allow certain weeds or grass to grow through the liner. Liner is not warranted against this. If ground is uneven in perimeter area, dig out the high spots. Do not build up the low side by padding it with earth. The weight and movement of the water will pack down the fill causing the pool to sink. Inside perimeter of pool (the area inside of the frame and wall) can be leveled with 1" or 2" of sand raked and rolled smooth.



## 2) GROUND PREPARATION

The preparation of the ground is the most important step in the installation of the pool.

a) Mark off your pool area by driving stakes. Have a helper hold a tape measure or a string and mark off the pool perimeter using flour or chalk. Remove sod inside the pool area to a distance of 1 feet beyond dimensions shown in the plot layout around entire perimeter of pool.

b) Remove all grass from within the entire pool area. It is not enough to just cut the grass. The sod must be removed.

c) Two or three inches of sand is the best for your liner. Using sand eliminates the necessity to level inside of frame area except where exceptionally high or low areas exist. These areas should either be dug or filled in. This does not mean the perimeter or frame area. That area must be firm and level by digging only.

d) Do not fill low spots in the area where pool wall will rest. as setting may cause your pool to become out of level. Making sure pool bottom is flat. This is a must.

e) If your site is not on firm soil, use 2" patio blocks for the base of the wall Care should be taken to center a patio block under each bottom plate. The top of the patio blocks should be flush with the prepared ground surface.

Pool Dimension & Wall Length

POOL SIZE	Diameter			Wall Length			Top Sheet Q'ty
	mm.	ft	in.	mm.	ft	in.	
12	3,611	11	10 2/8	11,346	37	2 5/8	10
15	4,572	15	0	14,363	47	1 4/8	10
18	5,486	18	0	17,236	56	6 5/8	12
21	6,401	21	0	20,109	65	11 5/8	14
24	7,315	24	0	22,981	75	4 6/8	16
27	8,230	27	0	25,854	84	9 7/8	18
30	9,144	30	0	28,727	94	3	20
33	10,058	33	0	31,599	103	8 1/8	22

## 3) ASSEMBLING BOTTOM RAIL

### STEP 1:

Before proceeding, remove the steel wall from carton and stand on a 3'x3' board inside pool area as shown at right. Put the liner, (leaving it in the carton) inside pool area.

Before proceeding to the next step, place a large amount to sifted earth in the middle of the circle. (see chart for the amount on the first page.)

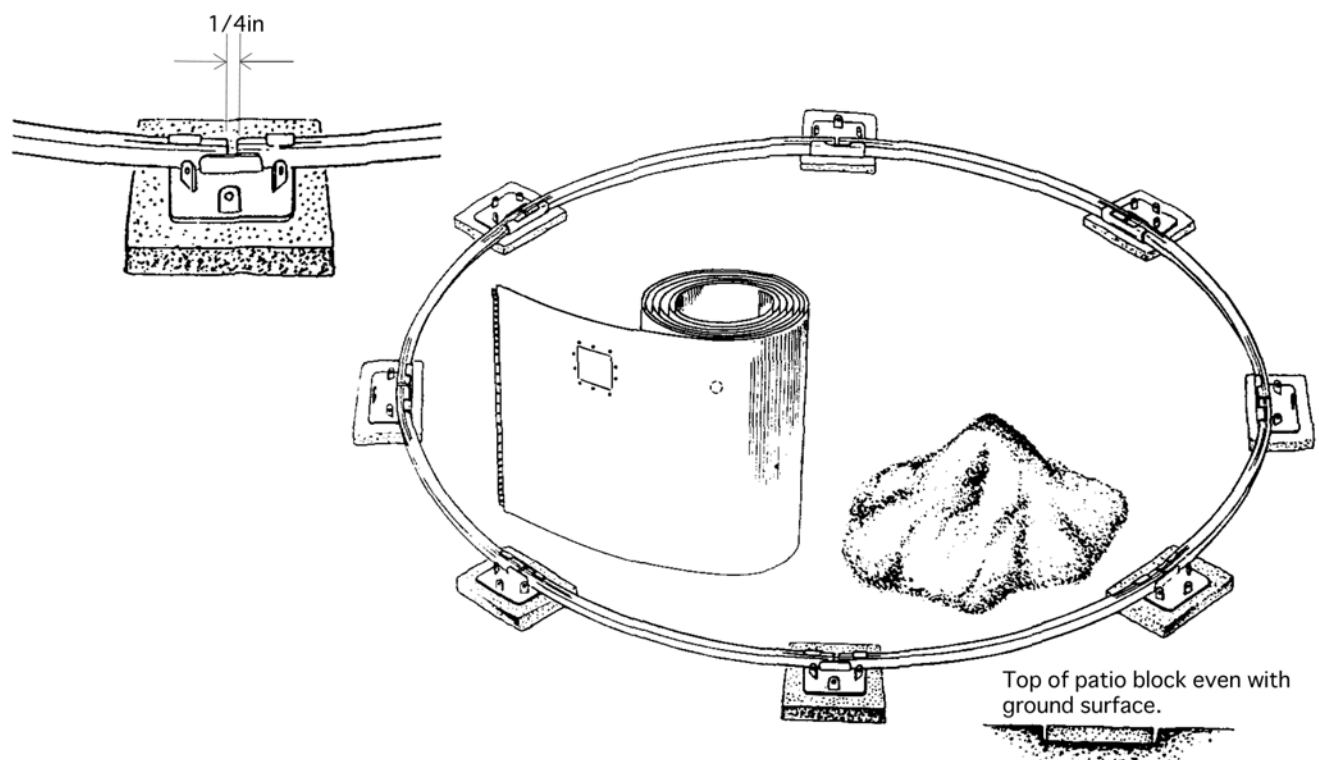
### STEP 2:

Insert the bottom rails around the entire perimeter using lower joints on the circular portion of the pool.

Sifted earth should not contain any pebbles.

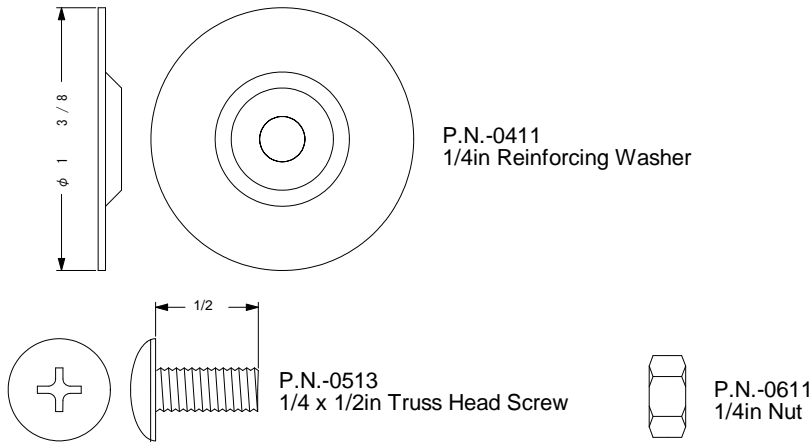
Place a patio block under each lower joint around curved area.

Leave one section open that will be nearest to where you will locate your filter.

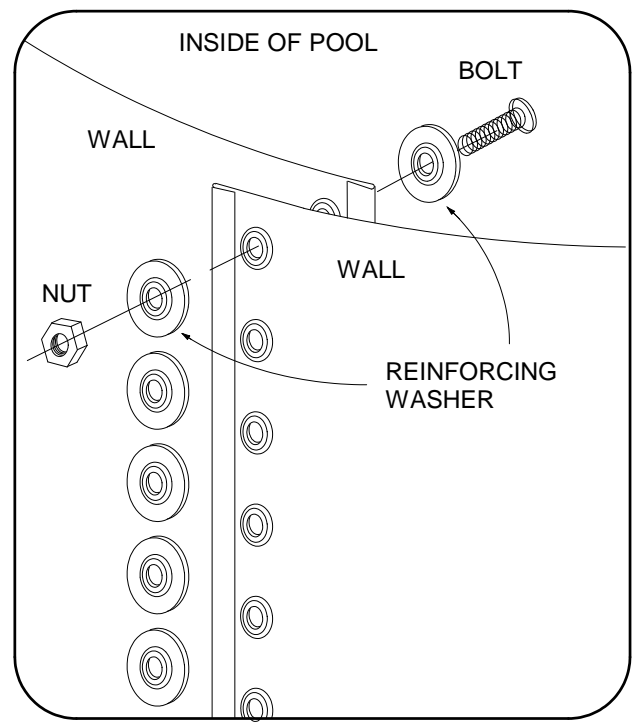


#### 4) INSTALLING WALL

Use Wall Joint Bolt Package packed in a Wall Carton.



Due to the weight of wall, some bending will occur in the top and bottom corrugation. because the wall is built to flex. Simply bend those sections back before inserting wall in top or bottom rail.



**DO NOT FASTEN THE WALL WITHOUT USING THE REINFORCING WASHERS ! FAILURE TO USE REINFORCING WASHERS AS INSTRUCTED WILL CAUSE WALL TO SPLIT WHEN POOL IS FILLED. THIS CAN CAUSE SERIOUS PROPERTY DAMAGE AND/OR BODILY INJURY.**

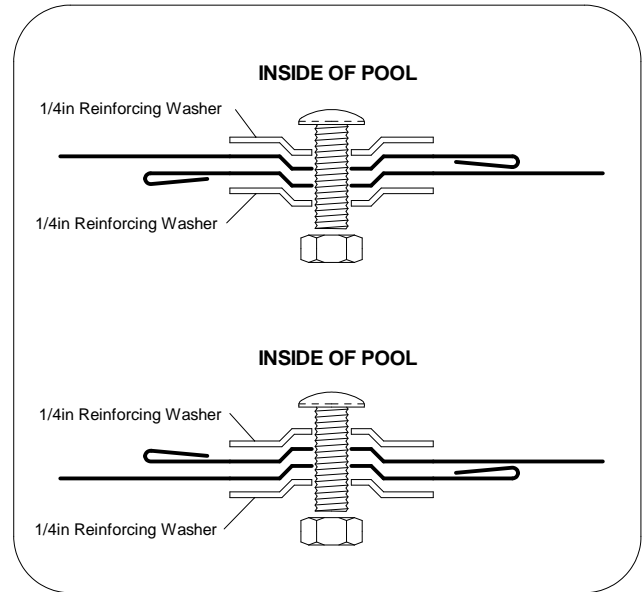
**STEP 1:** It is practical if two people work together; one inside and one outside of the pool.

**STEP 2:** Place coiled wall near bottom rail one section open.

**Note:** There is an up and down side on steel wall. Locate the skimmer cutouts which are near the outside end of the wall. These cutouts must be at the TOP even if you will not be using these cutouts .

**STEP 3:** Bring the wall close to the bottom rail. Make sure there is nothing in the bottom rail before inserting the wall. If there is earth or something is in the bottom rail, take out it accordingly. Begin to insert end of wall into bottom rail. One person unwinding wall (wall should be on a plywood base for ease of rotating) while the other person is feeding wall into slot of bottom rail around entire pool. As you unwind the wall and insert it into the assembled bottom rails, temporarily place top rail sections on top of the wall. This will help to prevent the wall from bending or falling over. Should the wall be either too short or too long, Adjust bottom rails, The circumference of bottom rails can be adjusted slightly by equally tapping outward or inward at the each lower joint until the wall ends meet.

**Step 4:** Bring the two open ends of the wall together as shown above. This is one of the most important steps in assembling the pool. Pay close attention to the following points.



**INSERT THE SCREWS FROM INSIDE OF WALL. NUT MUST BE FASTENED FROM OUTSIDE OF WALL.**

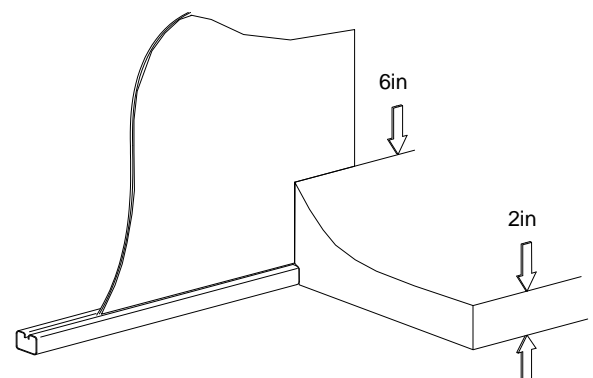
- \* Reinforcing Washers must be on INSIDE and OUTSIDE of wall.
- \* Insert the screws from INSIDE of the wall.
- \* Insert and fasten screws from hole to hole down to the bottom of the wall. Do not fasten tightly before insert all screws.
- \* Fasten all screws tightly.
- \* Do not leave any open holes.
- \* Cover all the screw heads with strip of fabric tape.
- \* Check the level of the top of the wall, if more than 2" off level , Rework the ground to achieve levelness.

#### 5) BUILD AN EARTH MOUND(cove)

Build a mound 6" high and extending 8 to 10" on the ground around the inside of the pool wall. Pack the earth gently but firmly.

**IMPORTANT:**

The earth mound must be built right. you must rebuild the earth mound each time you set up the pool. Water pressure can force the liner out under the bottom rail. If this is not done. This could cause damage to the liner and void warranty. The earth mound will prevent this from happening.



## 6) THROUGH THE WALL SKIMMER

Step 1: For untrusting, All edges of cut out have to be covered by vinyl tape or rusting paint.  
Begin the installation of the through the wall skimmer.  
Follow separate skimmer installations.

At one point during the installation of the skimmer, you have to install the liner. The skimmer installation will tell you when. Complete the installation of the liner as described next. Then finish the skimmer installation.

## 7) LINER INSTALLATION

**CAUTION:** Remove your shoes. The liner should never be forcefully pulled or dragged, especially when it holds water, even only 1/2". When you enter the pool during installation, use a ladder other than a pool ladder.  
Make sure the legs rest on a strong flat board

Step 1: Open the liner carton carefully by removing the tape. (Do not cut open carton.)

Step 2: Unfold the liner inside the metal wall. Carefully spread it out on the ground. The seam around the bottom of the liner should be well up the earth mound. Do this evenly all around pool.

Step 3: Remove top rail temporarily placed.  
Lift the side of the liner over the top of the wall. Form a collar approximately 3" down the outside of the wall and temporarily tape it, to the outside of the wall using masking tape at intervals of 3'.

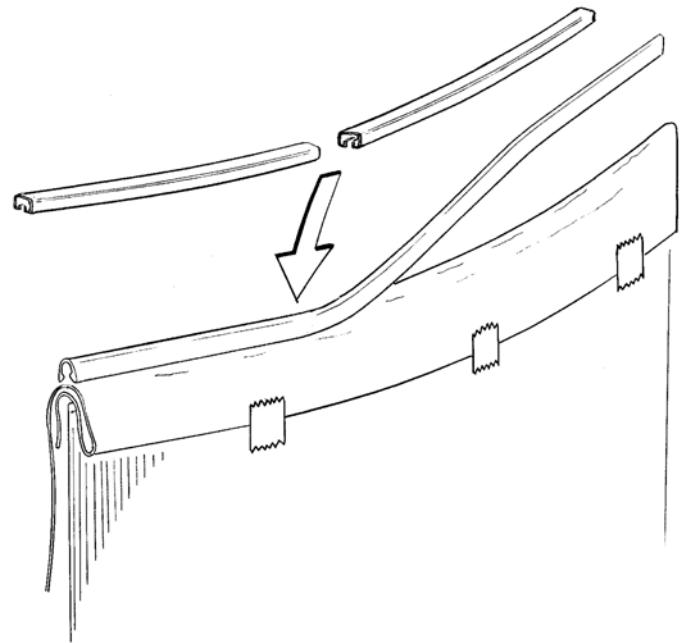
Step 4: Take the plastic edging and clip it over the liner and the top of the wall. The ends of each section of edging should touch each other. The edging forms a full circle all around. Cut off excess plastic edging

If the liner does not fit evenly around the pool.  
Remove the masking tape gently from the collar of the liner and wall. Smooth out all wrinkles on the bottom of the liner. There may be extra material around the side. Spread it evenly all around the side of the pool. There may be extra material in height.

## 8) INSTALL THE TOP RAIL, UPPER JOINT

Lay out these parts on the ground alternating upper joints and rails at the same position with the lower joints and bottom rails assembled before. Insert the top rail into upper joint, Clip a rail over the plastic edging and top of the wall as shown at right.  
Clip all rails and upper joints over the wall in this way until the entire top rail is formed.

**NOTE:** Be sure upper joint is directly above lower joint.  
Check the seam at the bottom and side wall of the liner.  
It must rest well up the earth mound evenly.



*Please refer to "Assemble TopSeat , Vertical and Cover" of an attached sheet*

## 9) FILLING THE POOL

**The hard work is all behind.  
Now the fun begins.**

When pool is completely assembled and ready for water, run water into the pool. Wrinkles in pool liner should be smoothed out as water is added for easier maintenance.

**IMPORTANT: STOP FILLING POOL AT 1 FOOT DEPTH**

1)  
**INSPECT BOTTOM RAILS**-make sure they are not scalloped, see detail at right. If rails scallop, pull outward at the bottom of the verticals to allow wall and rails to assume natural shape.

By using a string and small weight, check each vertical. To see that they stand straight.

Be sure each vertical stands perfectly straight.

2)  
Measure all around the pool, from the TOP RAIL down to WATER LEVEL. This level SHOULD NOT VARY MORE THAN ONE INCH. An unlevelled condition will cause overstress of the pool wall and frame. Remove excess soil as required to establish a level frame and bottom rail condition.

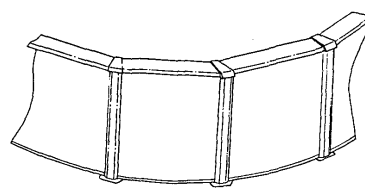
See " ASSEMBLY OF BOTTOM RAILS "

3)  
Set as many hoses as you want to help speed up filling time. The pool holds a considerable amount of water (ie; 18' round pool holds 7650 gallons.).

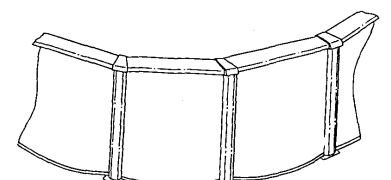
4)  
To keep the water clean and protect your liner from being damaged it is best to cover hose end(s) with several layers of rags.

5)  
When desired water level is reached, turn on your filter.  
(Follow separate instructions provided with your filter.)

**CAUTION:**  
Do not attempt to straighten liner after you begin to fill with water. Severe damage could be caused and You will void



**CORRECT**



**WRONG**

## 10) HELPFUL INFORMATION

- Proper filtering and chemical treatments should not make it necessary to change the pool water.  
Your pool dealer will advise you of the proper procedure.  
To estimate the amount of chemicals needed here is the approximate water content of the pool based on full capacity:

Pool Size	Capacity gallons	Pool Size	Capacity gallons
12x48	3,248	12x52	3,518
15x48	5,205	15x52	5,638
18x48	7,495	18x52	8,119
21x48	10,201	21x52	11,051
24x48	13,324	24x52	14,435
27x48	16,863	27x52	18,269
30x48	20,819	30x52	22,554
33x48	25,191	33x52	27,290

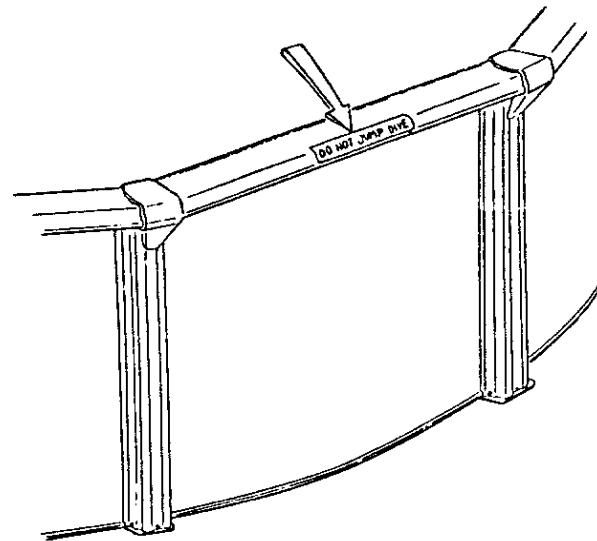
- To help keep the pool clean and child proof, a pool cover should be on the pool whenever it is not in use. This also reduces loss of water and chemicals.  
To keep the pool in working condition check the following operation.
  - Leaks in skimmer and filter connections must be stopped.  
A constant drip of chlorinated water on metal will corrode the metal.
  - If there is sign of corrosion on pool wall drain pool immediately, and replace it.  
If there is sign of corrosion on other pool parts, sand off the rust. paint with rust resistant paint.
  - The pool should be left up and filled year round properly winterized and covered with a good cover. The water level must be lowered to about 6" below the lowest skimmer opening if your area is subjected to be below freezing temperature. All pool leaks must be repaired before winter.
  - Do not empty your pool in spring. Filtration and chlorination will remove all impurities. Leaves and other matter should be skimmed or vacuumed out of the pool.



## 11) SAFETY RULES

- Read your instructions and safety rules carefully. If you do not follow the safety rules someone could be injured or damage could occur.
- Plan carefully where you are going to put your pool. It must be close to a water source for filling. Also think about draining your pool.
- Never let anyone swim alone. Children must be carefully watched. For added safety, install a convex type mirror above pool to give full view of interior.  
Available at most mirror dealers.
- Do not let anyone rough-house in or around your pool. The pool area and decks can be slippery. Someone could be badly injured. You can prevent this type problem by enforcing the safety rules.
- Always keep the water clean and sanitary. Dirty water can be dangerous. Use your filter system. Follow instructions included with your filter. Also use water purifying chemicals as needed.
- DO NOT DIVE OR JUMP INTO YOUR POOL. THE POOL IS NOT DESIGNED FOR DIVING OR JUMPING !**
- Remove ladders when there is no adult to watch the pool. Remove anything else that can be used get into the pool. Use a cover if the pool is not in use for a long period of time.

**SAFETY DECALS CAN BE AFFIXED TO A CLEAN, DRY, SMOOTH SURFACE SUCH AS THE VINYL LINER, TOP SEAT THAT HAS SMOOTH FINISH. THEY MUST BE PLACED THAT THEY ARE EASILY SEEN.**



**Jumping and diving into a ASAHI CHEMICAL's Pool is STRICTLY FORBIDDEN. It is your responsibility as the owner of the pool to do the following:**

- Do not locate pool near objects that would entice diving i.e. garages, tree, porches, etc.
- Do not let anyone use your pool unless they are fully aware of the DO NOT DIVE OR JUMP notice.
- Do not promote horse play or other activities that would cause injuries.
- Do not allow people to sit or walk on the top seat of the pool.

**IT IS YOUR RESPONSIBILITY AS A POOL OWNER TO INSURE THE SAFETY OF WHOMEVER USES THE POOL NOT THE MANUFACTURER.**

### **READ ALL INSTRUCTIONS CAREFULLY BEFORE ASSEMBLING YOUR POOL.**

Read through all instructions completely and familiarize yourself with all pool parts and accessories before pool assembly. Damage may be done if all instructions are not carefully followed, and in such cases, will void manufacturer's warranty. When assembling pool, read through what you must do for each step, then proceed.

### **WARNING**

**THIS POOL IS DESIGNED FOR SWIMMING ONLY. IT IS NOT INTENDED FOR DIVING OR JUMPING. FOR A MAXIMUM OF SWIMMING FUN, BE SURE TO FOLLOW ALL SAFETY RULES WHEN USING ANY SWIMMING POOL.**