

Pool Breakdown

Martinique 21'x41' Oval 52"

NB2626

<p><u>FEATURES:</u> Oval Size: 21'x41' Depth: 52" 25 Year Warranty</p>	<p><u>STRUCTURE COMPOSITION:</u> Rugged Steel Frame Polymer Seat Caps Protective Wall Coatings</p>
---	--

	Qty	Carton #	Carton Content Description
<input type="checkbox"/>	1	412152-7HN-EX-2	MARTINIQUE – 7 INCH TOP SEAT, 7 INCH VERTICAL, INSTRUCTIONS, PAPERWORK
<input type="checkbox"/>	1	4121-5/8 RAIL-2	MARTINIQUE – 5/8 INCH RAIL
<input type="checkbox"/>	1	4121-7P-EX-3	MARTINIQUE – 7 INCH JOINT, 7 INCH SEAT COVER, 7 INCH SEAT COVER BRACKET, 7 INCH SIDE SEAT COVER, RESIN SIDE UPPER JOINT, SIDE LOWER RAIL JOINT, SEAT COVER ASSEMBLY BOLT PACKAGE
<input type="checkbox"/>	1	412152-RG08-EX-A	MARTINIQUE – SIDE VERTICAL, BRACE, HORIZONTAL SUPPORT, STRAPS, OVAL FRAME BOLT PACKAGE, PRESSURE PLATE
<input type="checkbox"/>	1	412152-TRG-W	MARTINIQUE – WALL (TOURING GRAY), PLASTIC EDGING, 52" WALL JOINT PACKAGE

Carton Breakdown

Martinique 21'x41' Oval 52"

NB2626

	Key #	Qty	Part #	Order #	Part Description
FRAME CARTON # 412152-7HN-EX-2					
<input type="checkbox"/>	1	22	1174EX	NBP1050	7in Top Seat L=1444 (56-7/8") 15ft
<input type="checkbox"/>	2	14	2374	NBP1100	7in Vertical (52" High)
<input type="checkbox"/>	---	1	0022	-----	Warranty
<input type="checkbox"/>	---	1	0023	-----	Safety Decals
<input type="checkbox"/>	---	1	0024	-----	Parts List + Frame Instruction
<input type="checkbox"/>	---	1	0025	-----	Safety Booklet
FRAME CARTON # 4121-5/8 RAIL-2					
<input type="checkbox"/>	3	44	1621	NBP1056	5/8in Rail L=1431mm (56-3/8")
FRAME CARTON # 4121-7P-EX-3					
<input type="checkbox"/>	4	14	2176	NBP1102	7in Resin Joint - Upper
<input type="checkbox"/>	5	14	2276	NBP1101	7in Resin Joint - Lower
<input type="checkbox"/>	6	14	2475EX	NBP1064	7in Seat Cover - Inside
<input type="checkbox"/>	7	14	2476EX	NBP1065	7in Seat Cover - Outside
<input type="checkbox"/>	13	8	3472EX	NBP1066	7 in Side Seat Cover
<input type="checkbox"/>	19	8	3177	NBP1004	Resin Side Upper Joint
<input type="checkbox"/>	16	8	3233	NBP1031	5/8 in Side Lower Rail Joint
<input type="checkbox"/>	8	1	0341	NBP1111	SEAT COVER ASSEMBLY BOLT PACKAGE #12 Sheet Metal Screw (232)

Carton Breakdown

Martinique 21'x41' Oval 52"

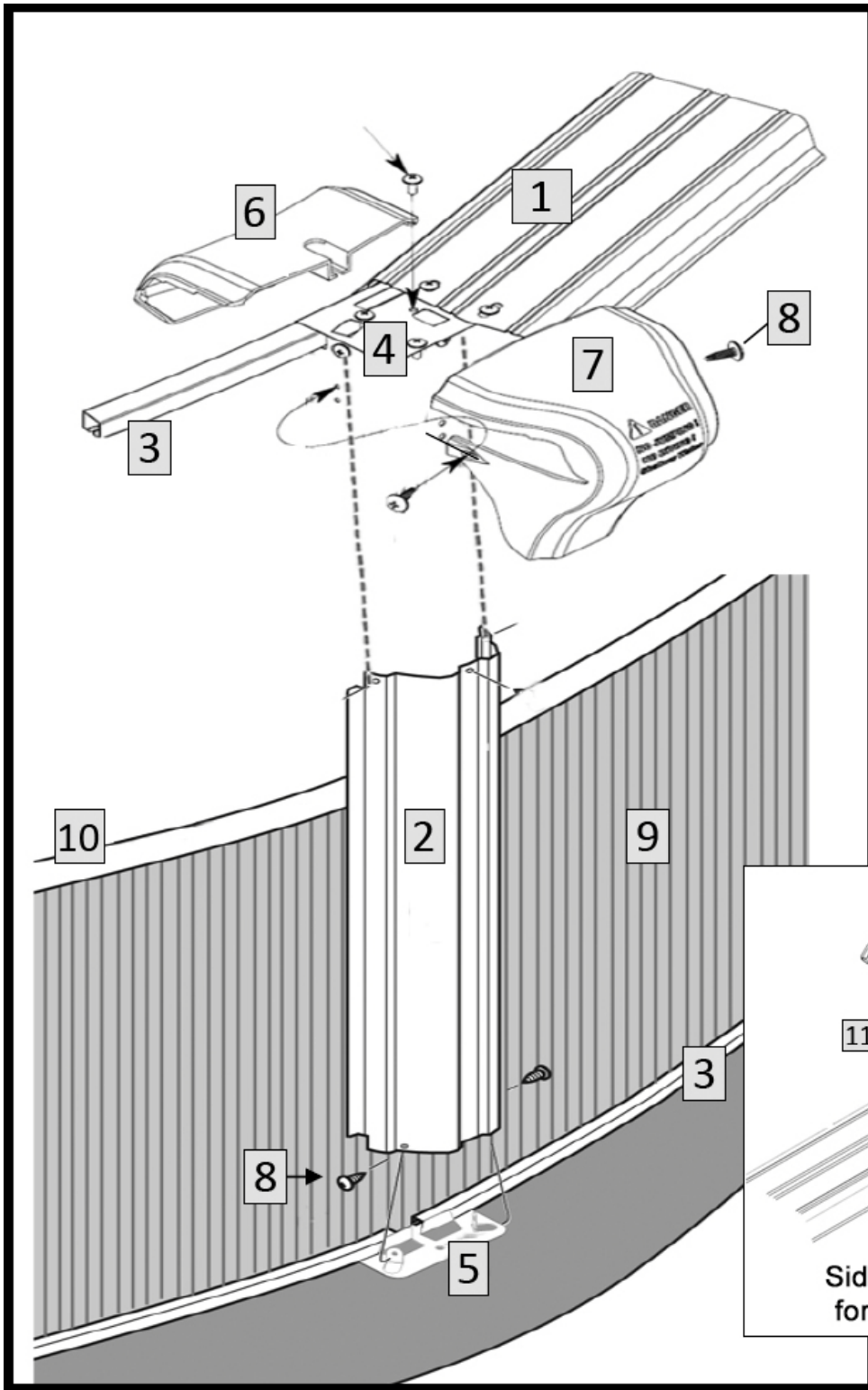
NB2626

	Key #	Qty	Part #	Order #	Part Description
FRAME CARTON # 412152-RG08-EX-A					
<input type="checkbox"/>	12	8	3314	NBP1006	Side Vertical 52" wall
<input type="checkbox"/>	14	8	4104	NBP1008	Brace for 52" wall
<input type="checkbox"/>	15	8	5237	NBP1010	Horizontal Support for 52" wall
<input type="checkbox"/>	18	8	6254	NBP1011	Pressure Plate L=680mm (26-3/4")
<input type="checkbox"/>	---	8	7224	NBP1012	End Strap L=1400mm (55-1/8")
<input type="checkbox"/>	17	12	7285	NBP1016	Middle Strap L=1287mm (50-5/8")
<input type="checkbox"/>	11	4	0104	NBP1000	BRACED OVAL FRAME BOLT PACKAGE
			*0923	-----	M8x20 Hex Head Bolt (13)
			*0423	-----	10.5mm x 21mm x 2.0mm Plain Washer (13)
			*0623	-----	M8 Nut (13)
			*0341	-----	#12 x 3/4 Sheet Metal Screw (8)
			*0513	-----	1/4" x 1/2" Truss Head Screw (5)
			*0611	-----	1'4" Nut (5)
<input type="checkbox"/>	11	2	0105	NBP1001	STRAP BOLT PACKAGE
			*0623	-----	M8 Nut (22)
			*0923	-----	M8x20 Hex Head Bolt (22)
<input type="checkbox"/>	11	3	0106	NBP1002	STRAP BOLT PACKAGE
			*0623	-----	M8 Nut (27)
			*0923	-----	M8x20 Hex Head Bolt (27)
WALL CARTON # 41215252-TRG-W					
<input type="checkbox"/>	9	1	52" Wall	-----	Touring Gray Wall
<input type="checkbox"/>	10	25	8100	-----	Plastic Edging
<input type="checkbox"/>	---	1	0113	NBP1021	52" WALL JOINT BOLT PACKAGE
			*0513	-----	1/4" x 1/2" Truss Head Screw (26)
			*0411	-----	1/4" Reinforcing Washer (51)
			*0611	-----	1/4" Nut (26)

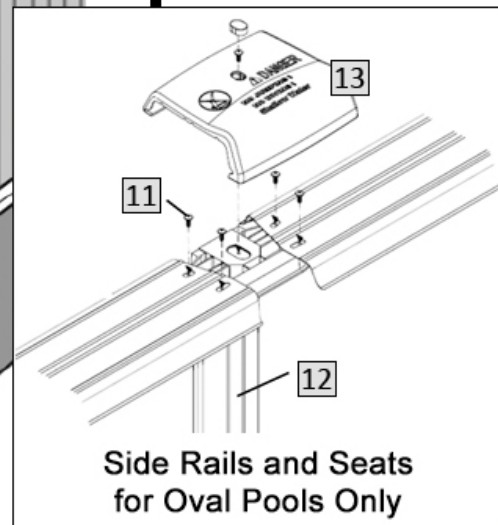
*These part #'s are not available to purchase separately. They must be purchased as part of the corresponding package.

Martinique 21'x41' Oval 52"

NB2626

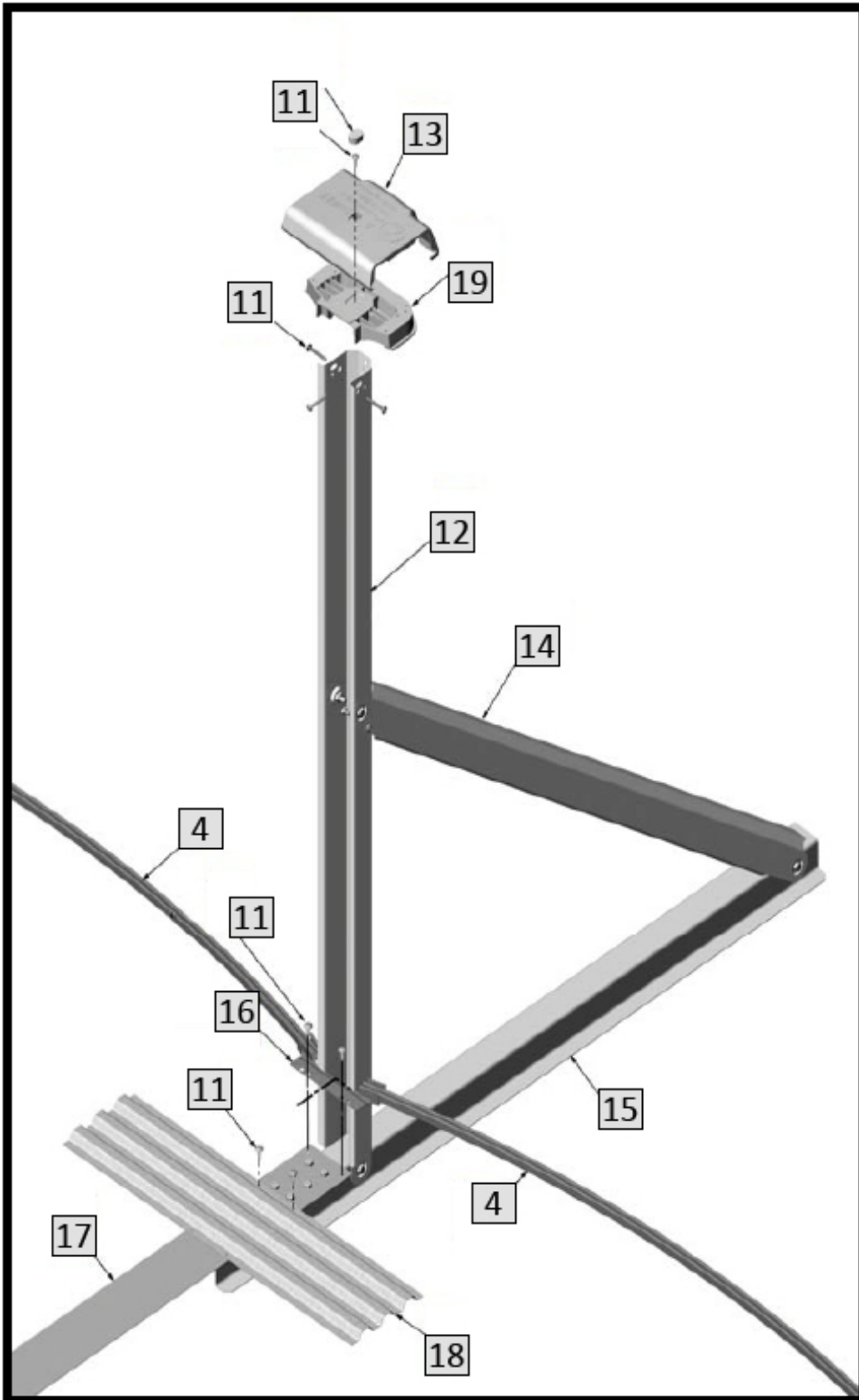


Key #	Part Description
1	Top Seat
2	7 in Vertical
3	5/8 in Rail
4	7 in Resin Joint – upper
5	7 in Resin Joint – lower
6	7 in Seat Cover - inside
7	7 in Seat Cover- outside
8	Assembly Hardware
9	Wall
10	Plastic Edging
11	Braced Oval Frame Bolt Hardware
12	7 in Side Vertical
13	7 in Side Seat Cover



Martinique 21'x41' Oval 52"

NB2626



Key #	Part Description
11	Braced Oval Frame Bolt Hardware
12	7 in Side Vertical
13	7 in Side Seat Cover
14	Brace
15	Horizontal Support
16	Side Lower Rail Joint
17	Middle Strap
18	Pressure Plate
19	Resin Side Upper Joint