

# Pool Watch AC50032



## **Introduction**

Thank you for purchasing the Pool Watch AC50032 swimming pool alarm. This product is the result of years of research and development and is loaded with patented features, which will make your swimming environment a safer area for yourself, family, guests, and pets.

This product has been designed using innovative and intelligent software, coupled with high-tech sensors to provide you with an efficient yet trouble free solution to pool security. It has been engineered to detect the intrusion into the pool by a young child, while not having annoying false alarms caused by wind, rain, filter, floating objects, or automatic cleaners. It has been tested against to the toughest standards all over the world and is now ready for your pool.

## **Vital Information**

The AC50032 is easily installed on most pools with the following exception of negative edge or infinity pools. Please read the entire installation manual before beginning the installation of this alarm. Once read through, follow the manual step by step to insure a quick and easy installation process. The AC50032 is a pool alarm designed to detect an intrusion into an unsupervised pool. It is not a lifesaving device and should not replace the supervision of children around a pool by responsible adults. It is recommended that a pool be protected by layers of protection such as a gate,

a gate alarm, pool cover, etc..

### Basic Pool Safety

This is a device not intended to replace any other safety consideration including, adult supervision, life guards, fences, gates, pool covers, locks and so forth. Some devices may not detect gradual entry.

It is imperative that if the alarm sounds that you react quickly as drowning can occur in as little as three minutes.

Never leave children unattended near a pool.

Once installed the system should be tested weekly to insure it is in good working order.

Layers of protection add to the security of the pool. A barrier fence should always be used around a pool in conjunction with a gate, or door alarm, to alert the responsible party that an unwanted intrusion to the pool area has occurred.

Make sure that the alarm is situated in an area where the audible alarm can easily be heard.

Be sure to maintain a proper water level as too high or too low water levels can trigger false alarms or not detect an intrusion.

Be prepared to deal with an emergency should one occur. Have an action plan in place and a working phone close to the pool to handle an emergency. To best avoid an emergency please follow these precautionary procedures for pool safety.

Always keep the pool water clean and clear. A green pool (caused by improper maintenance) can conceal a child or individual that has fallen into the pool and is on the bottom. If an individual sinks to the bottom of a green pool and cannot be seen, it will delay the rescue procedure, wasting precious seconds. This is a highly dangerous condition.

Children shall be closely monitored when in proximity of the pool.

Added supervision is required if more people or children are in the pool.

Teach your children to swim as soon as possible.

Do not allow children who cannot swim enter the pool area without a life vest on.

Always keep the water clean and clear so all objects on the bottom of the pool are visible.

Learn life saving techniques, especially for small children.

Do not leave toys or objects floating in an unattended pool. This is an invitation for a child to enter an unattended pool.

Prohibit running near the pool.

Store pool chemicals out of reach of children

If water temperature drops below 32 degrees Fahrenheit or 0 Celsius the alarm must be removed to prevent damage to the unit.

## Installing the AC50032

Begin the installation by carefully unpacking the box and checking to insure all parts are present. If any parts are missing contact customer service at [products@asiacnectllc.com](mailto:products@asiacnectllc.com) for replacement parts. See the parts list below.

- A. Main Alarm Body.
- B. Remote Siren.
- C. AC Adapter for Remote Siren.
- D.** Mounting screws for Main alarm Body.



## Required Tools

Pencil  
Phillips head screwdriver  
1/4" drill bit  
Electric Drill  
Adjustable wrench  
Masking tape

## Choosing the location

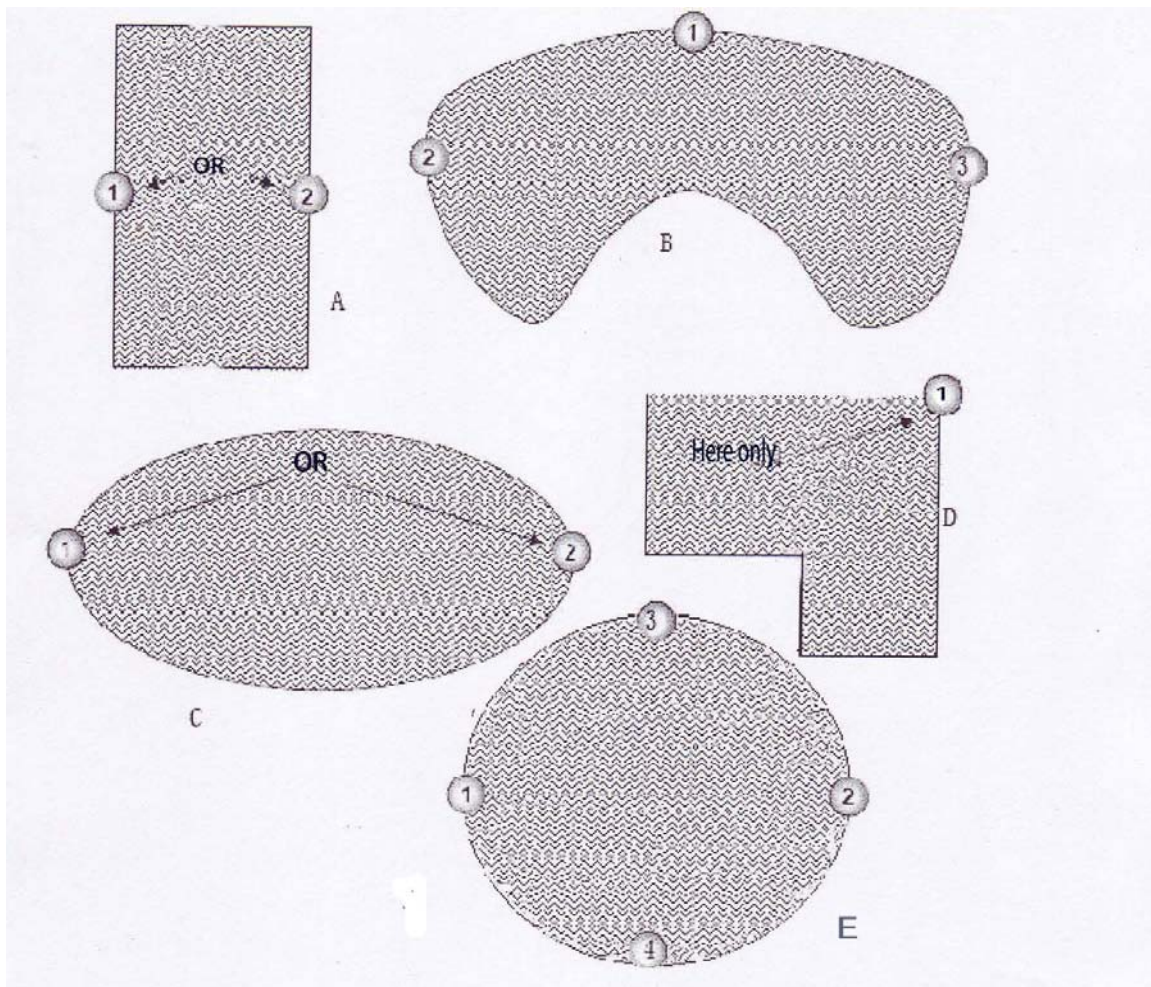
The location of your alarm is critical to insure that it performs at its optimum abilities. Below is a diagram showing the most popular pool styles and their optimum mounting points on the pool. Decide which configuration is closest to your pool and continue with the installation.

**In configuration A** the AC50032 is effective on pools up to 32'X16' (9.6meters x 4.8 meters) and should be placed at **location 1**. For larger pools a second alarm should be added to **location 2**.

**In configuration B** the AC50032 should be installed at **location 1** if the pool size is 26 feet (8M) or less. If the pool exceeds 26 feet (8M) then a second alarm is required. In this case, install the alarms at **location 2 AND 3**.

**In configuration C** the AC50032 should be installed in pools 24 feet (8m) or less, at **location 1**. For pools larger than 24 feet, a second alarm should be added at **location 2**.

**In configuration D** the AC50032 should be installed in pools if 17 feet or less in **location 1**. For pools larger than 17 feet a second alarm will be needed.



## Installing the Alarm

### STEP #1

Test fit the alarm in the location as predetermined by the configuration above. The alarm sensor pipe throat should be in the water as shown, and the mounting area shall be level and flat. The alarm base should snap into the bottom of the main alarm body easily, while allowing the sensor throat to extend directly into the pool at a 90 degree angle as shown in FIG 1.

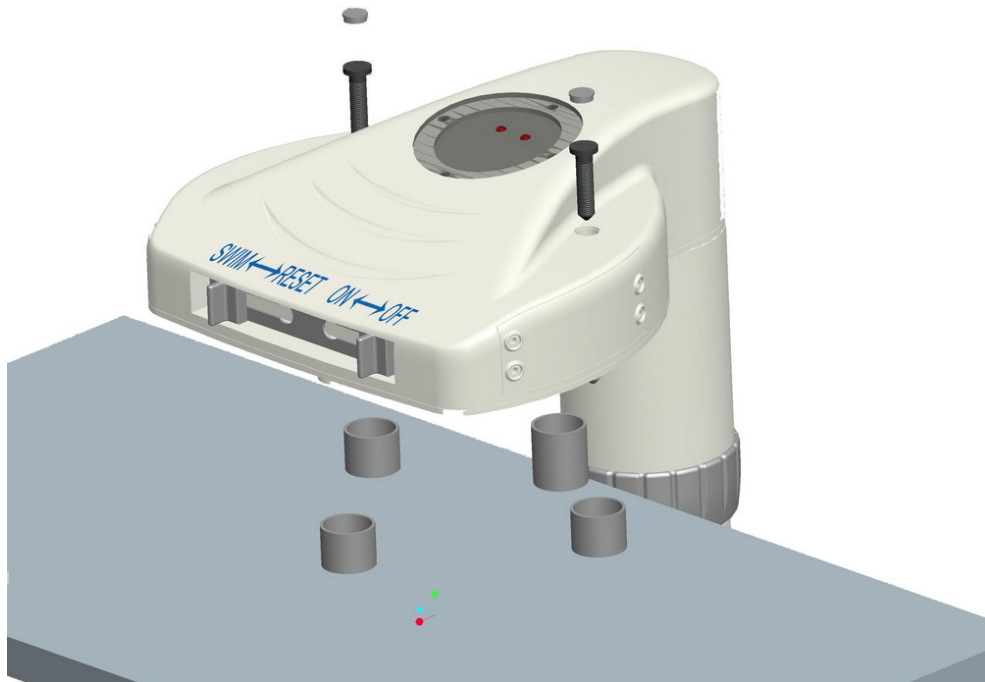


FIG 1

**STEP #2**

Once the location has been determined, use a pencil to mark two holes to be drilled into the deck to secure the alarm. Choose one hole on the left side and one on the right, refer to Fig 2

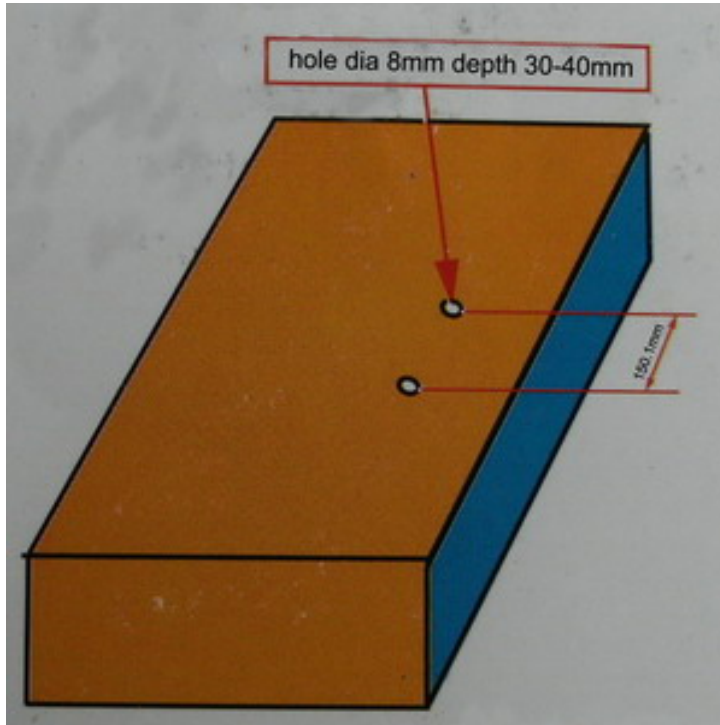


FIG 2

### STEP #3

After the holes are marked, drill the two holes out using a **1/4 inch** masonry drill. **\*\*NOTE\*\* TAKE GREAT CARE USING POWER TOOLS AROUND THE POOL. BE SURE THAT NO PEOPLE ARE IN THE POOL DURING ANY PHASE OF THE INSTALATION. REMOVE ALL POWERTOOLS FROM THE POOL AREA AS SOON AS THAT PHASE IS COMPLETE.\*\*** The holes need to be drilled 1 ¾ inches deep (Fig 2). The easiest way to determine how deep to drill, measure 1 ¾ inches from the end of the drill bit. Mark that location with a piece of tape. When drilling, stop when the deck is level with the tape. The hole should now be 1 ¾ inches deep. Remove all dust and debris from the holes. Remove the nuts and washers from the mounting anchors, and insert the mounting anchors into the previously drilled holes. To mount on a wood deck, use ½ inch x 1 inch lag screws with ½ inch washers (not included) screwed directly to the decking. To mount on a metal rail, use ½ inch x 1 inch machine screws with ½ inch washers and nuts (not included).



FIG 3

#### STEP #4

To Install/Replace batteries. Remove ALL 4 screws which secure the battery cover. Be careful not to lose any of the screws. **When the 6 Long Life Alkaline D Cell 1.5V batteries are installed (not included), the alarm will have two beeps and it is very loud!** To ease installation, place the switch to SWIM mode, the alarm will sound in one long burst to signify that it is in swim mode. The WHITE LED will flash at each interval of 20 seconds. The alarm is on but will not sound and can be handled for 3 minutes without the siren sounding. FIG 3



### STEP #5

The alarm is now ready to be attached to the pool edge. Simply screw the main alarm body into the edge.

### Step #6

The water level of the pool must be adjusted and maintained in order for the alarm to perform properly. The sensor throat tube should stick into the water between 3 ¼ inches to 2 inches. If the water should go far above or below this level, the alarms effectiveness is greatly diminished. Maintain proper water levels at all times. Never block or fill the air hole located on the back of the alarms sensor throat. See Fig 4 and Fig 5.

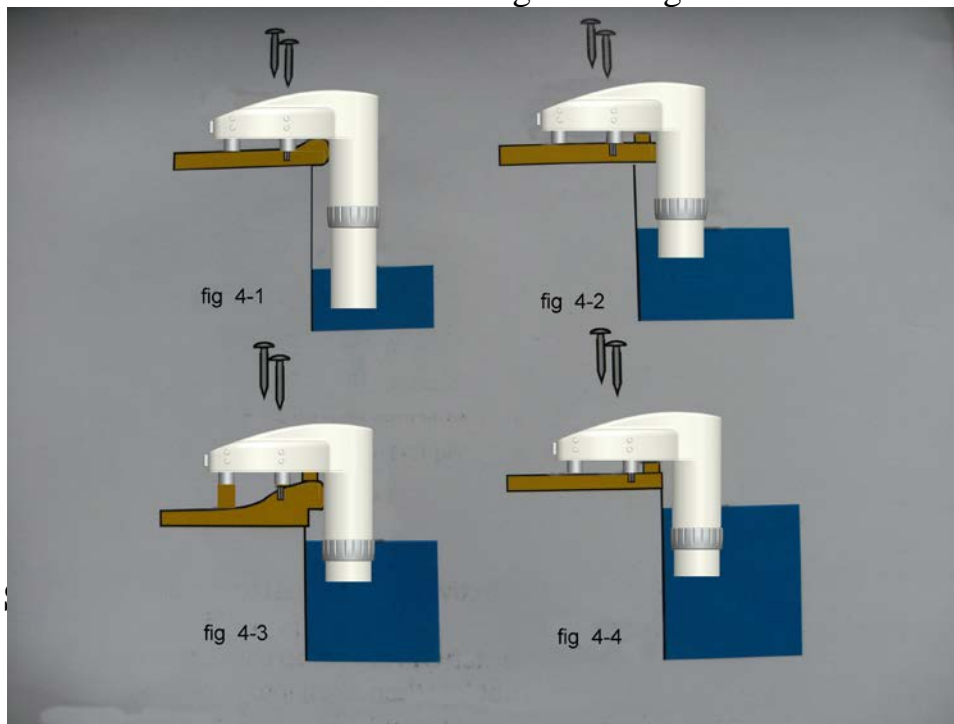


Fig 4

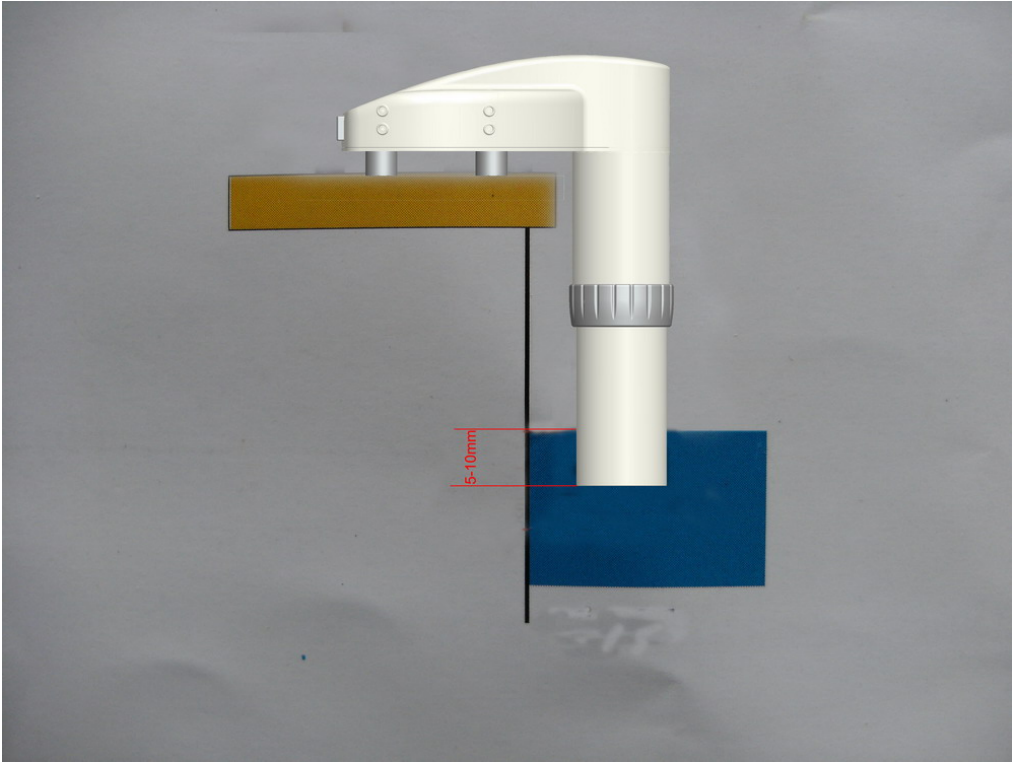


FIG 5

**STEP #7**

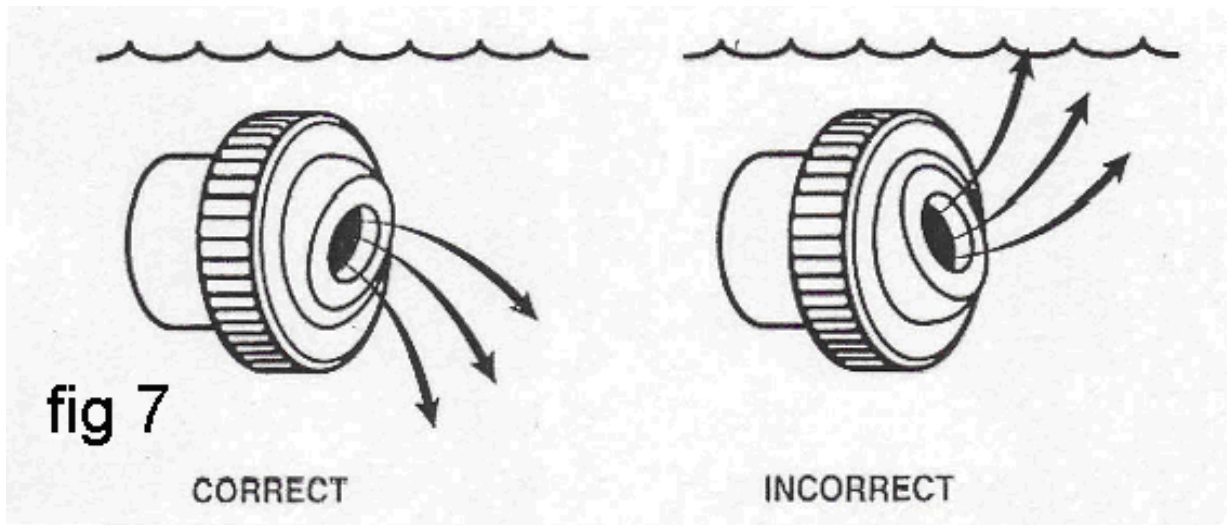
Mount the Remote siren no more than 100 linear feet from the base unit in an area inside your home where it can be heard throughout the house should the alarm sound.

To Mount:

Turn the remote siren over and remove the Phillips head screw. Install **one 9V long life alkaline battery (not included)**. Replace cover. Plug the AC adapter into the remote siren. Then place it on a flat surface or use a screw to mount it to a wall near an electrical socket. Plug the AC adapter into the wall socket. It will give two short sirens to show that it is functioning, and a red led will light on the unit. If the main AC power should fail (power outage or accidental unplugging) the siren will use battery backup, one alkaline battery can last around 100 hours. The siren will still receive a signal from the main alarm unit, and will alarm if triggered. Strongly recommend to use AC power in daily use. If battery in main alarm is low, the siren will beep one time each 8 seconds, the remote siren will receive and beep each 8 seconds too. This indicates you need to change battery for main alarm. See Fig 6



Fig 6



### **STEP #8**

Turn the return jets from the pools filtration system down towards the bottom of the pool. This will not affect the pool circulation; in fact it will help conserve chemical consumption. This is required in order to maintain the tightest security level possible using this alarm. See Fig 7. Water features such as waterfalls, automatic cleaners or pump cycling may affect alarm reliability causing false alarms. If your alarm alerts due to water features, simply turn the water feature off when the pool is not in use. If you have any questions refer to the manufacturers contact information  
Installation is now complete.

To help reduce false alarms, your AC 50032 Pool Watch alarm is equipped with “False Alarm Resistant” technology. Your alarm will constantly monitor the water and detect outside interference from conditions such as wind and automatic cleaners and compensate for them without compromising alarm safety.

When entering into this FAR mode, after the GREEN LED light has been on for a constant 6 seconds, the alarm will beep for 1 second. After that the LED will flash each 2 seconds.

After any 5 minute period without detecting wind or automatic cleaner movement the alarm will automatically revert to normal armed mode.

The alarm can also be taken out of the FAR mode by moving the switch as below.

From:

Reset to Swim to Reset

## TESTING THE UNIT

The unit **MUST** be tested.

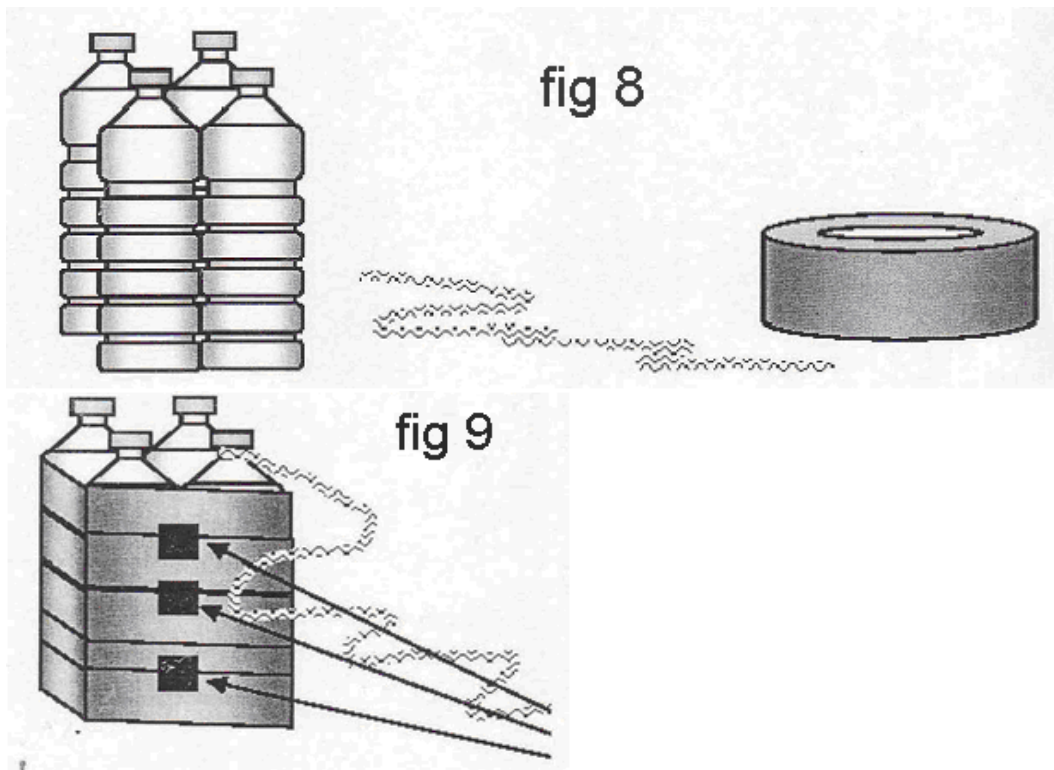
To test the alarm, you can make a simple device that will simulate the size and weight of a young child. See Fig 8 and Fig 9. The materials needed are:

- 4 X 1.5 liter water bottles.
- Duct tape
- 6 ft of strong string

Fill the four bottles with water.

Use the duct tape to strap all 4 of the bottles together.

Tie the string tightly to one of the bottles.



Drop the bottles into the pool from a height of 4.5 inches. The alarm should sound. Use the string to retrieve the bottles. Test the alarm weekly to insure maximum protection.

### Using the Alarm

This pool alarm is designed to protect the pool at all times. To swim in the pool, the alarm must be set to SWIM mode. An adult must move the switches to the SWIM/ON position.

The alarm will emit a long beep signifying that it is now in SWIM mode. The LED in the transparent cover will now flash white, and will continue to flash white while it is in swim mode. The pool can now be used without the alarm sounding. When all swimmers exit the pool and the water becomes still, to protect the pool, the alarm will automatically rearm itself again after 3 minutes of quiet surface. The alarm will emit two beeps announcing that it is again in active protection mode and the green LED in the transparent cover will flash at each 21 seconds. If immediate protection is desired, do not wait until the water is calm; just move switches to Reset/On position. This will instantly rearm the alarm.

If the alarm is sounding, immediately check the pool **FIRST** for any unsafe condition. If the pool is clear of danger, push the switch button to work mode at RESET position.

#### ON/OFF:

Move the switch to OFF, the pool alarm system will be cut off and stop working. To turn on, move to ON, the system will be work again and emit one beep.



#### Low Battery Indicator

The alarm comes equipped with a low battery indicator. If the batteries need to be replaced, the alarm will emit a chirp every 8 seconds. Refer to steps 4 for battery replacement.

#### Winterization

When the pool is closed and covered for the winter, remove the main alarm body from the pool and remove the batteries. Store the main alarm body indoors for the

winter months. The alarm should be removed from the pool if the air temperature drops below 32 degrees Fahrenheit. Remove the batteries from both the main alarm unit and the remote siren for storage. Freezing of the pool water will damage the alarm. Freeze damage is not covered under the warranty.

**Changes or modifications not expressly approved by the party responsible for compliance could void the user's authority to operate the equipment.**

#### **TROUBLE SHOOTING GUIDE**

<b>PROBLE M</b>	<b>CAUSE</b>	<b>SOLUTION</b>
Alarm beeps every minutes or so	Low battery	Replace all batteries with fresh New batteries
Alarm is not sounding at all	Battery is dead	Replace all batteries with fresh New batteries
Alarm is being set off by high wind	High winds	Put the alarm into swim mode and carefully monitor the pool and do not allow anyone to enter the pool area until the wind subsides and the alarm resets.
Alarm is sounding when no one is in the pool	Loose alarm base and or return fittings are pointed toward alarm	Tighten alarm base and/or point return lines toward the bottom of the pool and away from the alarm.
Remote siren is beeping	Low battery	Replace battery with a fresh new one .
Remote siren is not sounding when alarm is triggered	Remote siren is out of range.	Move the remote siren to a location closer to the main alarm.

#### **INDICATORS:**

- 1/. Batteries ON: There will be two beeps and the GREEN LED will flash each 21 seconds
- 2/. From ON to OFF: The RED LED will flash each 20 seconds.
- 3/.From OFF to ON: There will have one beep and the GREEN LED will flash each 21 seconds.
- 4/. From RESET to SWIM: There will be one beep and the WHITE LED will flash each 20 seconds.
- 5/. From SWIM to RESET: There will be two beeps and the GREEN LED will flash each 21 seconds.
- 6/. ALARM SOUNDING: The RED LED will on all the time it will last 5 minutes if not stopped by hand.
- 7/. Self-REARMED: Wait for water surface to be calm for 3 minutes. Alarm will reset and there will be 2 beeps and the GREEN LED will blink.

8/. FALSE ALARM RESISTANT MODE (FAR): In order to avoid false alarms, when the alarm detects excessive wind, or a robot cleaner working, the alarm may automatically enter the "false alarm resistant mode". When entering into this FAR mode, after the GREEN LED light has been on for a constant 6 seconds, the alarm will beep for 1 second. After that the LED will flash each 2 seconds.

Manufactured for:

Asia Connection LLC  
1636 Third Avenue  
Box 326  
New York, NY 10128  
[Products@asiacconnectllc.com](mailto:Products@asiacconnectllc.com)  
516-520-3041