

# HURRICANE 54-IN FOOSBALL TABLE ASSEMBLY INSTRUCTIONS



Please Do Not Hesitate to  
Contact Our Consumer Hotline  
at 800-759-0977  
with Any Questions That May  
Arise During Assembly or  
Use of This Product!

NG1033F

**THANK YOU!**

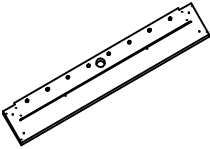
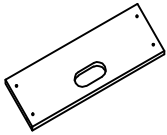
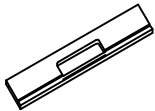
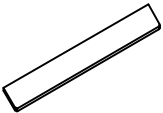
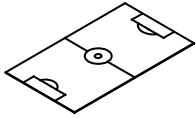
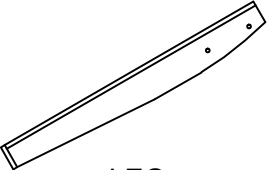
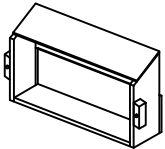
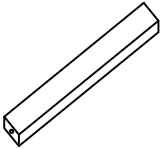
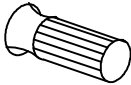
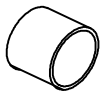
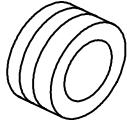



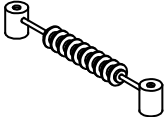

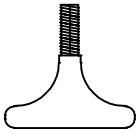
Thank you for purchasing this product.

We work around the clock and around the globe to ensure that our products maintain the highest possible quality. However, in the rare case of issues during assembly or use of this product, please contact our Consumer Hotline at **800-759-0977** for immediate assistance before contacting your retailer.

Please read the warranty information at the back of these assembly instructions for further details.

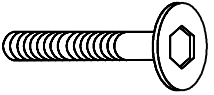
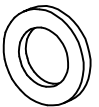
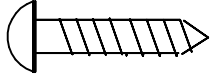
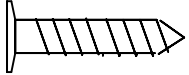
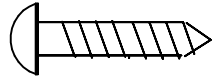
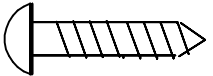
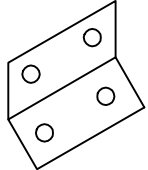
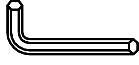

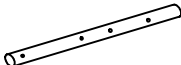
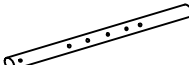
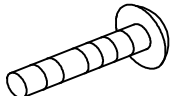
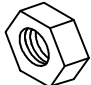
**IMPORTANT! PLEASE READ THESE ASSEMBLY INSTRUCTIONS  
IN ENTIRETY BEFORE ASSEMBLING YOUR PRODUCT.**

# PARTS IDENTIFIER (NOT TO SCALE)

<p>P1</p>  <p>SIDE PANEL 2 pieces</p>	<p>P2</p>  <p>END PANEL 2 pieces</p>	<p>P3</p>  <p>END GOAL PANEL 2 pieces</p>	<p>P4</p>  <p>TOP PLATE 2 pieces</p>
<p>P5</p>  <p>PLAYFIELD 1 piece</p>	<p>P6</p>  <p>LEG 4 pieces</p>	<p>P7</p>  <p>BALL CATCHER 2 pieces</p>	<p>P8</p>  <p>SUPPORT BRACE 2 pieces</p>
<p>P9</p>  <p>ROD HANDLE 8 pieces</p>	<p>P10</p>  <p>ROD END CAP 8 pieces</p>	<p>P11</p>  <p>ROD BUMPER 16 pieces</p>	<p>P12</p>  <p>ROD WASHER 16 pieces</p>
<p>P13</p>  <p>PLAYER 13 + 13 pieces</p>	<p>P14</p>  <p>BALL ENTRY CUP 2 pieces</p>	<p>P15</p>  <p>SLIDE SCORER 2 pieces</p>	<p>P16</p>  <p>SOCCER BALL 2 pieces</p>
<p>P17</p>  <p>LEG LEVELER 4 pieces</p>			

Please see Parts List at end of manual for part number when ordering parts. For replacement parts please call 800-759-0977.

# PARTS IDENTIFIER (NOT TO SCALE)

<p><b>#1</b></p>  <p>5/16x1-1/4" LEG BOLT 16 pieces</p>	<p><b>#2</b></p>  <p>5/16x19mm WASHER 16 pieces</p>	<p><b>#3</b></p>  <p>3.5x1-3/4" SCREW 20 pieces</p>	<p><b>#4</b></p>  <p>3.5x1-1/2" SCREW 4 pieces</p>
<p><b>#5</b></p>  <p>3.5x1" SCREW 4 pieces</p>	<p><b>#6</b></p>  <p>3.5x1/2" SCREW 38 pieces</p>	<p><b>#7</b></p>  <p>HINGE 8 pieces</p>	<p><b>#8</b></p>  <p>ALLEN WRENCH 1 piece</p>
<p><b>#9</b></p>  <p>2-PLAYER ROD 2 pieces</p>	<p><b>#10</b></p>  <p>3-PLAYER ROD 4 pieces</p>	<p><b>#11</b></p>  <p>5-PLAYER ROD 2 pieces</p>	<p><b>#12</b></p>  <p>1-1/8" BOLT 26 pieces</p>
<p><b>#13</b></p>  <p>NUT 26 pieces</p>			

Please see Parts List at end of manual for part number when ordering parts. For replacement parts please call 800-759-0977.

# ASSEMBLY TIPS

1. Find a clean, level surface to begin the assembly of your game table. We recommend that two adults work together to assemble this game. You may want to carefully cut or tear the four corners of the box so that the bottom of the box can be used as your work surface.
2. Remove all of the contents from box and verify that you have all of the parts shown on the Parts Identifier before you begin assembly. **Note: Some parts may be pre-installed or pre-assembled.**
3. Some figures or drawings may not look exactly like your product. Please read and understand the text before beginning each assembly step.
4. **When installing parts that have more than one screw or bolt, hand tighten all screws or bolts in place before final tightening with screwdriver or wrench.**
5. Electric screwdrivers may be helpful during assembly; however, please set a **low torque** and use extreme caution because screws may be stripped or overtightened, resulting in damaged parts, if the electric screwdriver's torque is set too high.

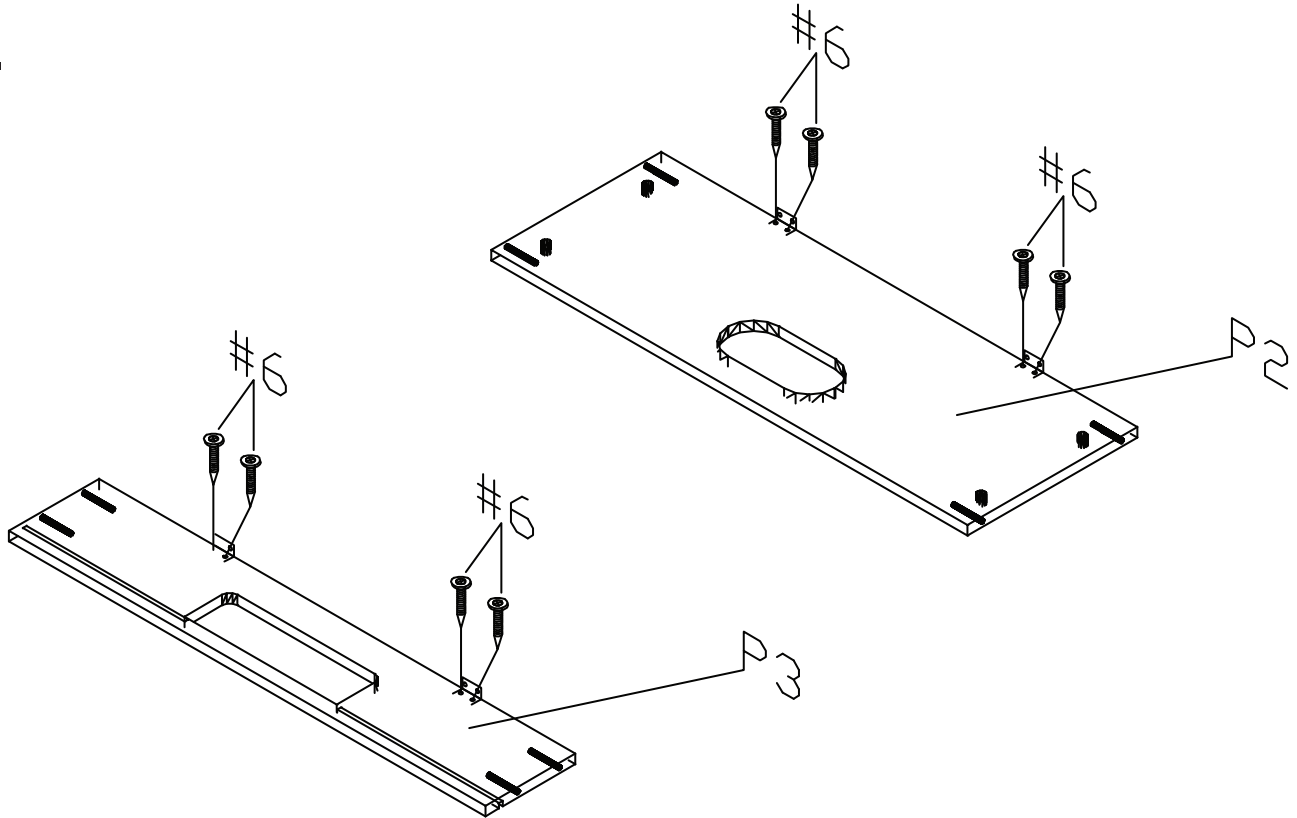
## **WARNINGS!**

READ AND FOLLOW ALL ASSEMBLY, OPERATION AND SAFETY INSTRUCTIONS CAREFULLY.

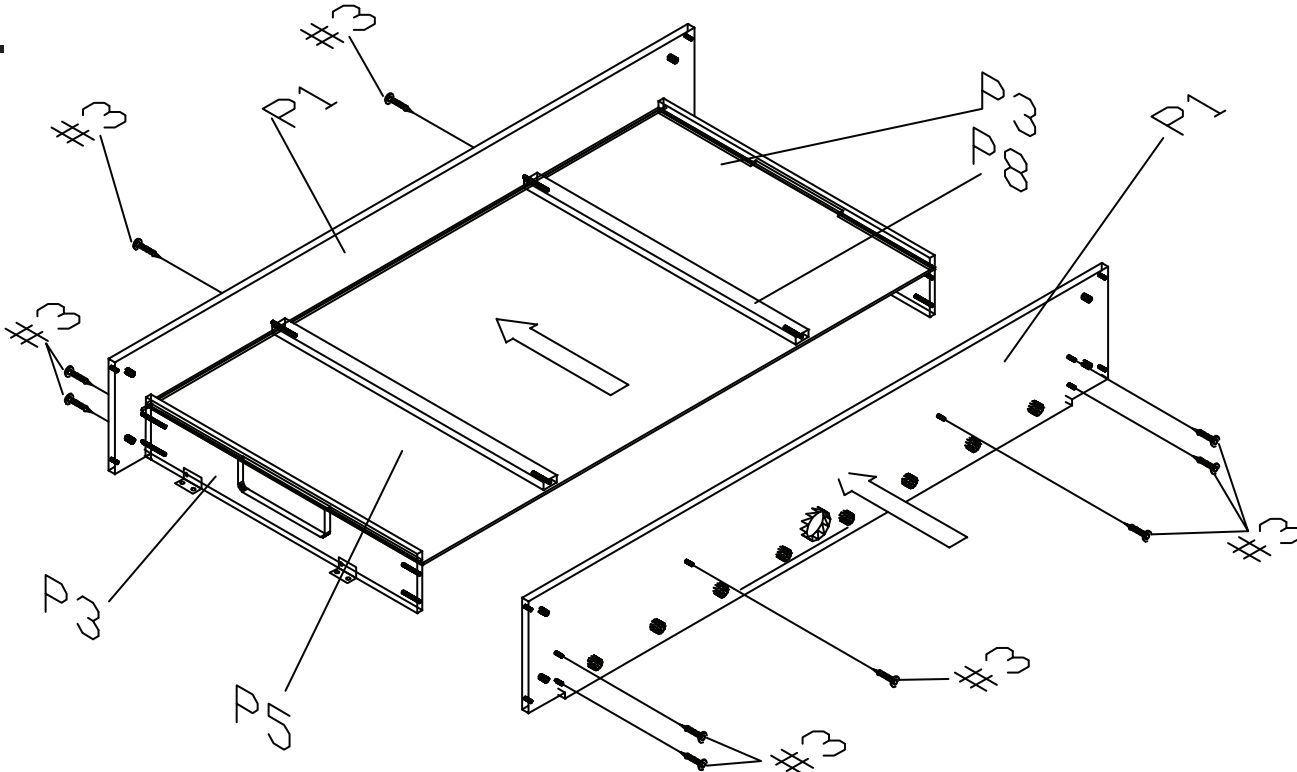
**CHOKER HAZARD - THIS TABLE CONTAINS SMALL BALLS AND PARTS  
NOT SUITABLE FOR CHILDREN UNDER 3 YEARS OF AGE.**

# ASSEMBLY INSTRUCTIONS

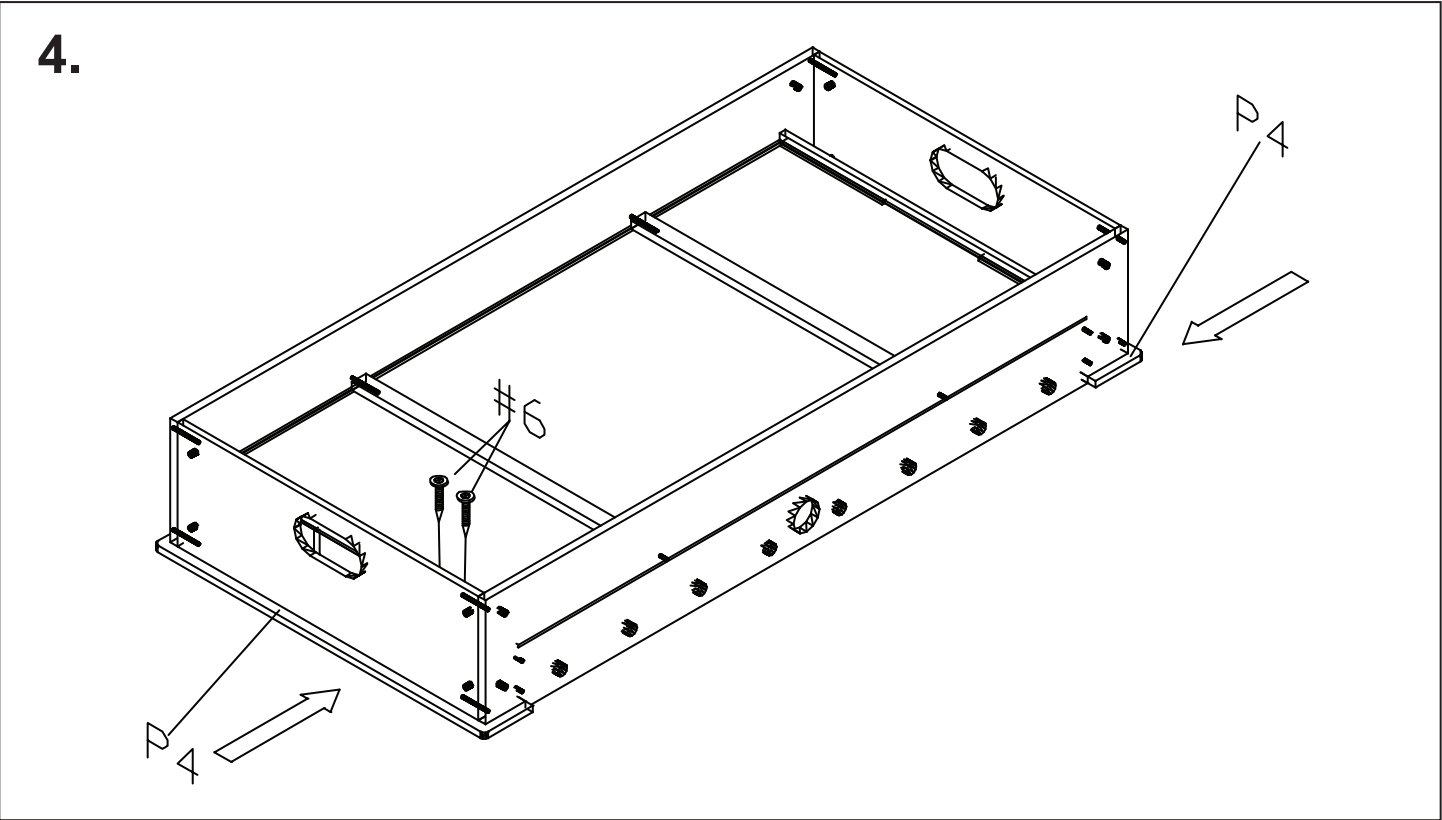
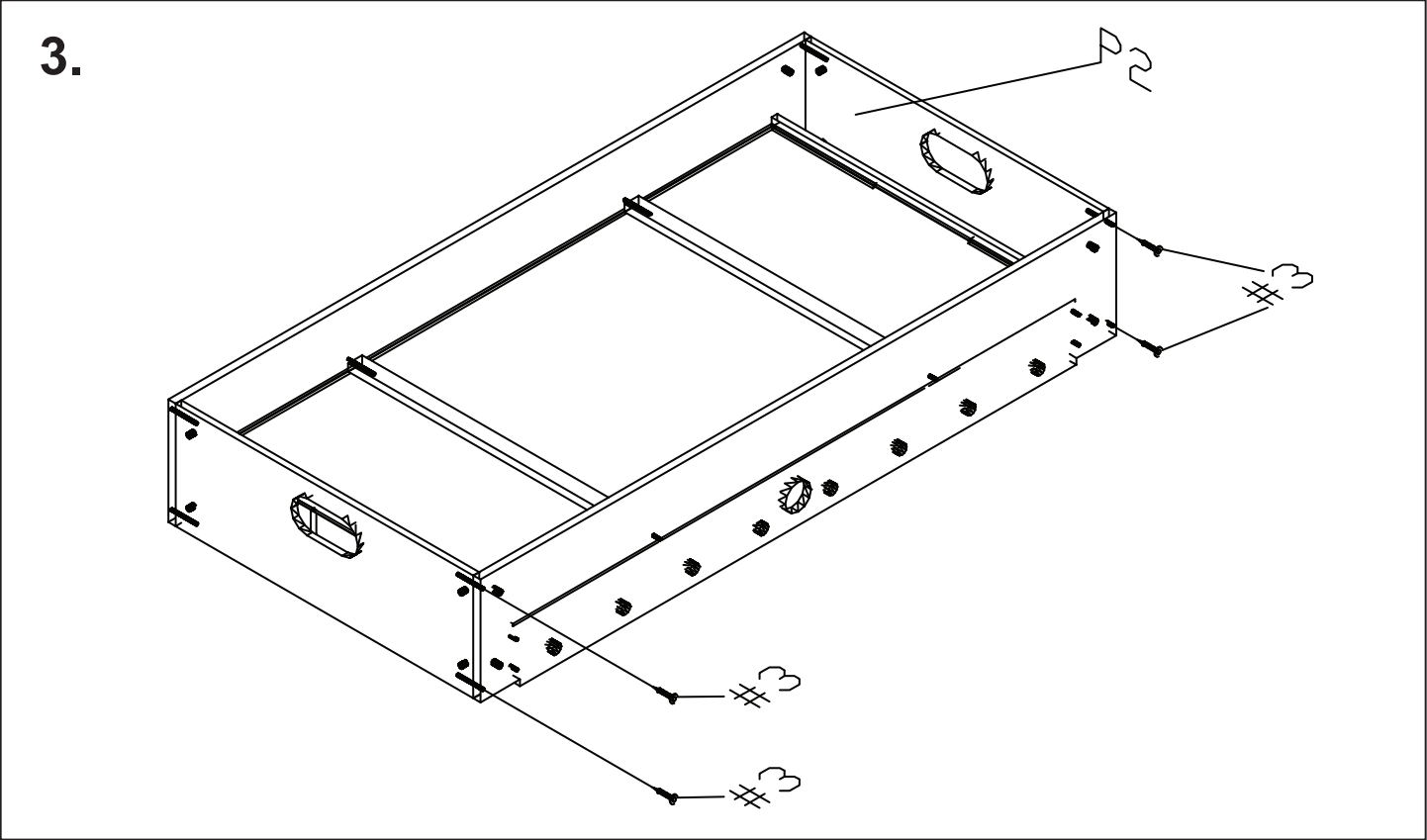
1.



2.

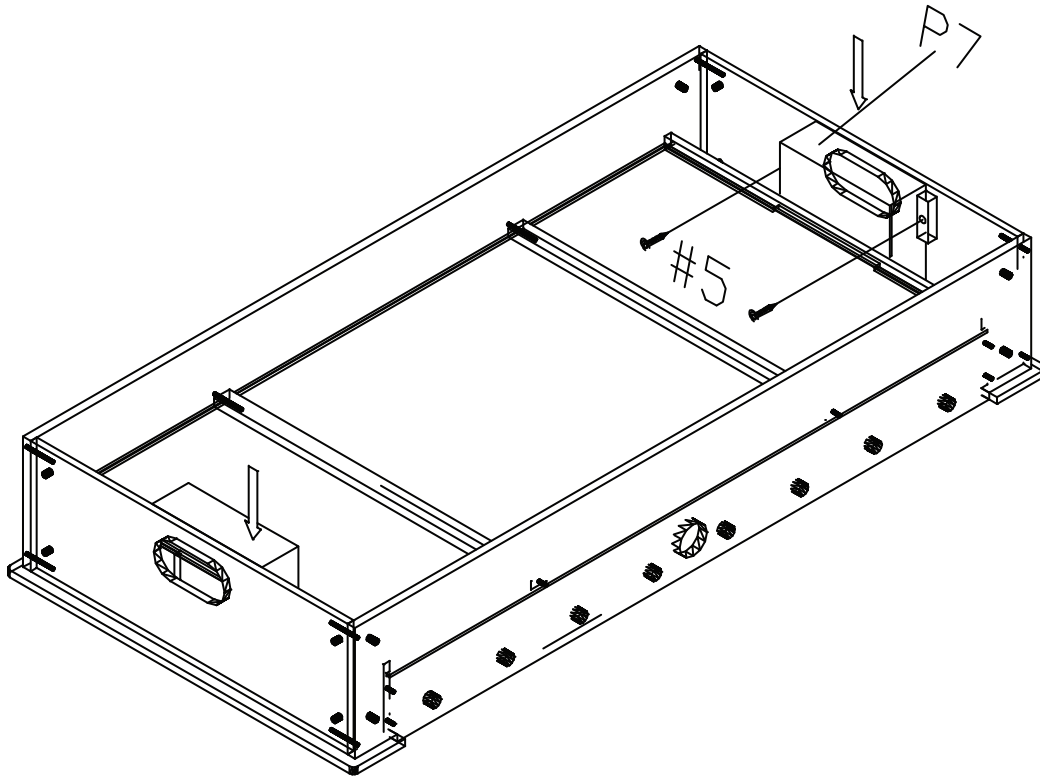


# ASSEMBLY INSTRUCTIONS

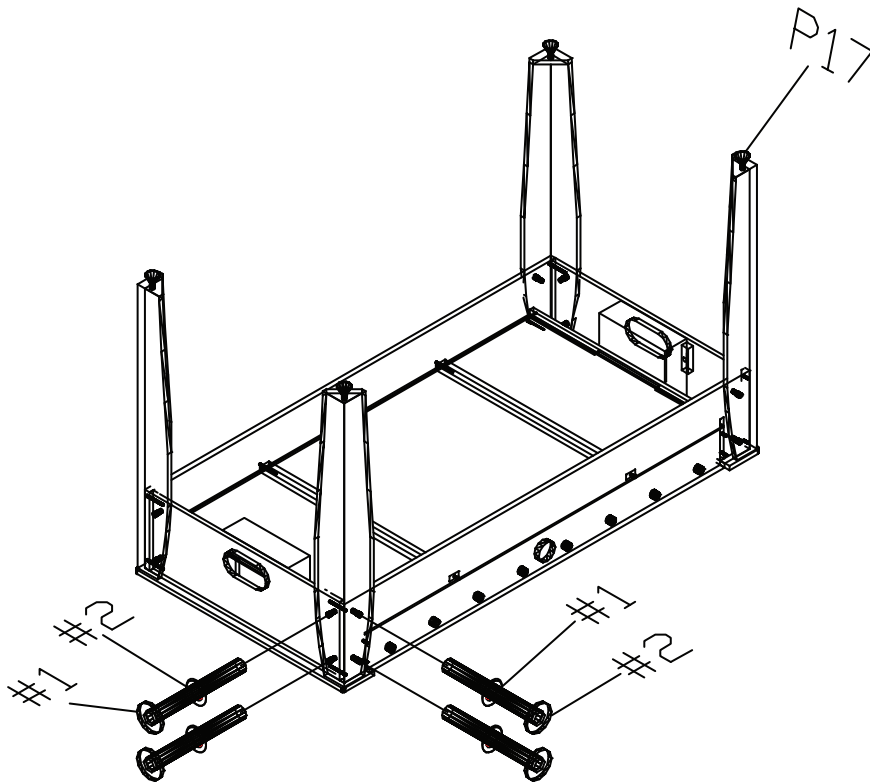


# ASSEMBLY INSTRUCTIONS

5.



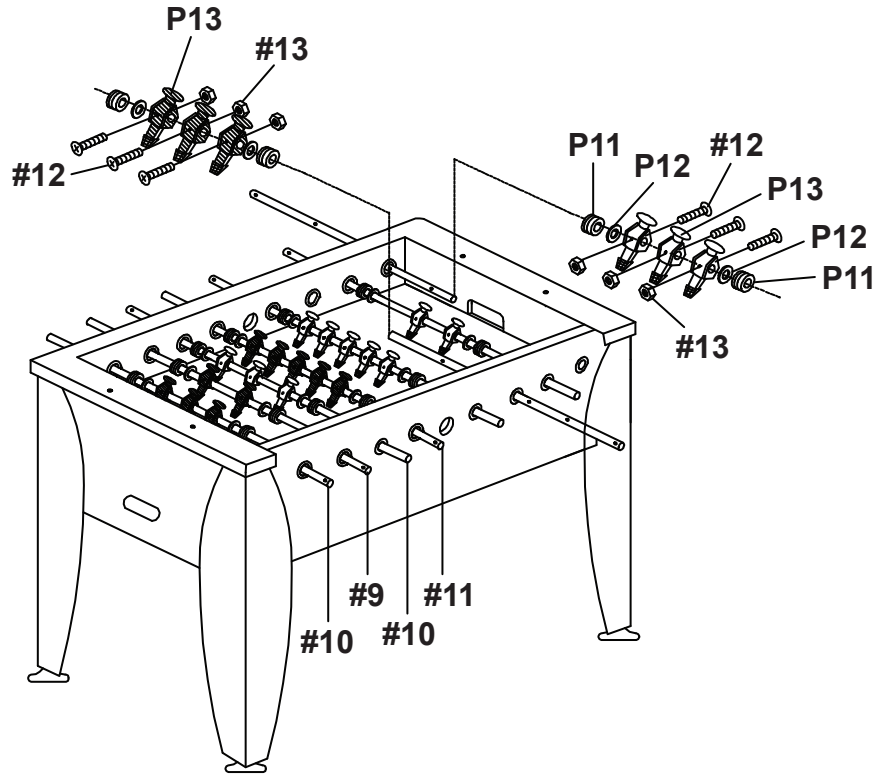
6.



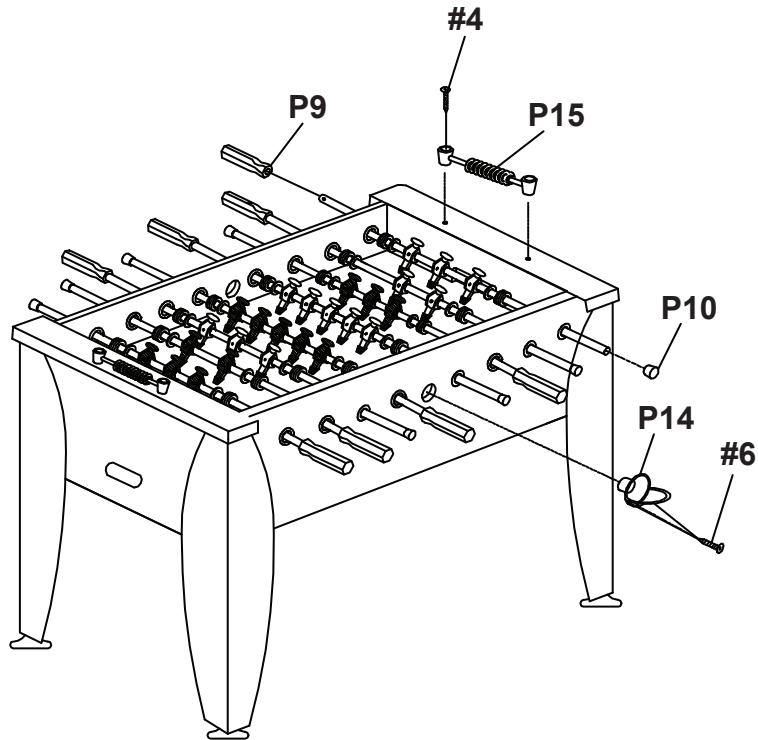


# ASSEMBLY INSTRUCTIONS

7.



8.



# CONGRATULATIONS!

You have now assembled your Game Table.  
Please note the Care and Use instructions below to  
ensure years of trouble free use of your game table.

## CARE AND USE

1. This product is intended for **INDOOR** use only.
2. Do **NOT** sit, climb or lean on the table.
3. Do **NOT** drag the table when moving it as this will damage the legs.

# 180-DAY LIMITED WARRANTY

This product is warranted to the original purchaser to be free from defects in material or workmanship for a period of 180 days from the date of the original retail purchase.

This warranty does not cover defects or damage due to improper installation, alteration, accident or any other event beyond the control of the manufacturer. Defects or damage resulting from misuse, abuse or negligence will void this warranty. This warranty does not cover scratching or damage that may result from normal usage.

This product is not intended for institutional or commercial use; the manufacturer does not assume any liability for such use. Institutional or commercial use will void this warranty.

This warranty is nontransferable and is expressly limited to the repair or replacement of the defective product. During the warranty period, the manufacturer shall repair or replace defective parts at no cost to the purchaser. Shipping charges and insurance are not covered and are the responsibility of the purchaser. Labor charges and related expenses for removal, installation or replacement of the product or components are not covered under this warranty.

The manufacturer reserves the right to make substitutions to warranty claims if parts are unavailable or obsolete.

The manufacturer shall not be liable for loss of use of the product or other consequential or incidental costs, expenses or damages incurred by the consumer of any other use. The user assumes all risk of injury resulting from the use of this product.

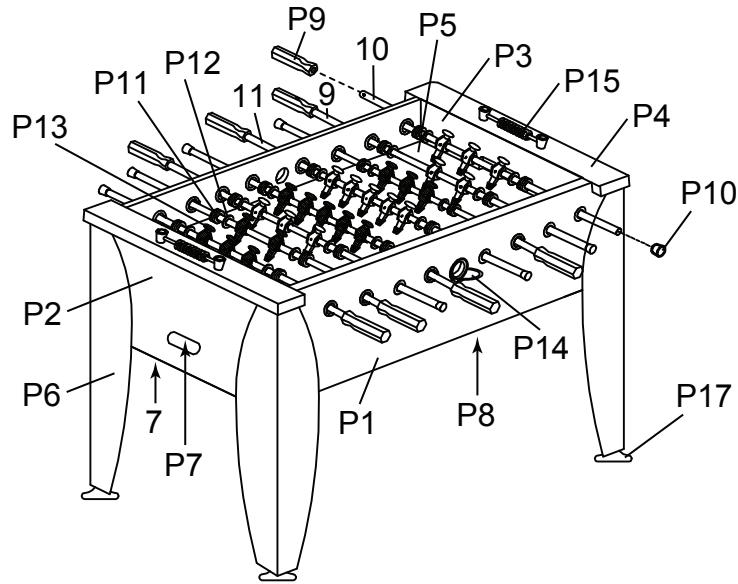
This warranty is expressly in lieu of all other warranties, expressed or implied, including warranties of merchantability or fitness for use to the extent permitted by Federal or state law. Neither the manufacturer nor any of its representatives assumes any other liability in connection with this product.

**All warranty claims must be made through the retailer where the product was originally purchased. A purchase receipt or other proof of date of purchase will be required to process all warranty claims. The model number and part numbers found within the assembly instructions will be required when submitting any parts requests or warranty claims.**

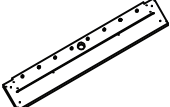
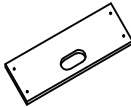
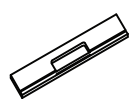
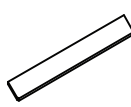
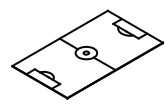
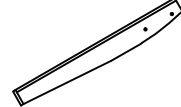
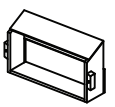
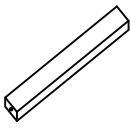
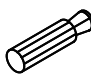

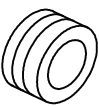



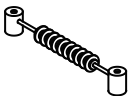

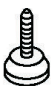
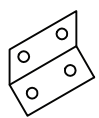

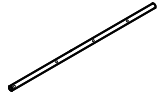
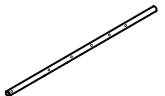
**For further warranty information or inquiries, please call 800-759-0977**

# HURRICANE 54-IN FOOSBALL TABLE - NG1033F

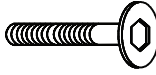

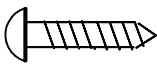
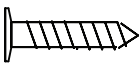
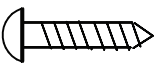
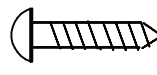

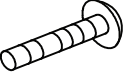

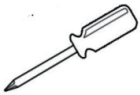
## Parts List



### PARTS

#P1 NGP6235  SIDE PANEL	#P2 NGP6236  END PANEL	#P3 NGP6237  END GOAL PANEL	#P4 NGP6238  TOP PLATE	#P5 NGP6239  PLAYFIELD	#P6 NGP6240  LEG	#P7 NGP6241  BALL CATCHER
#P8 NGP6242  SUPPORT BRACE	#P9 NGP6243  ROD HANDLE	#P10 NGP6244  ROD END CAP	#P11 NGP6245  ROD BUMPER	#P12 NGP6246  ROD WASHER	#P13 NGP6247  PLAYER	#P14 NGP6248  BALL ENTRY CUP
#P15 NGP6249  SLIDE SCORER	#P16 NGP5797  SOCCER BALL	#P17 NGP6250  LEG LEVELER	#7 NGP6250  HINGE	#9 NGP6251  2-PLAYER ROD	#10 NGP6252  3-PLAYER ROD	#11 NGP6253  5-PLAYER ROD

### HARDWARE PACK - NGP6254

#1  5/16"X1-1/4" LEG BOLT	#2  5/16"X19mm WASHER	#3  3.5X1-3/4" SCREW	#4  3.5X1-1/2" SCREW	#5  3.5X1" SCREW	#6  3.5X1/2" SCREW	#8  ALLEN WRENCH	
#12  1-1/8" BOLT	#13  NUT	ADDITIONAL EQUIPMENT REQUIRED:  PHILLIPS HEAD SCREWDRIVER					