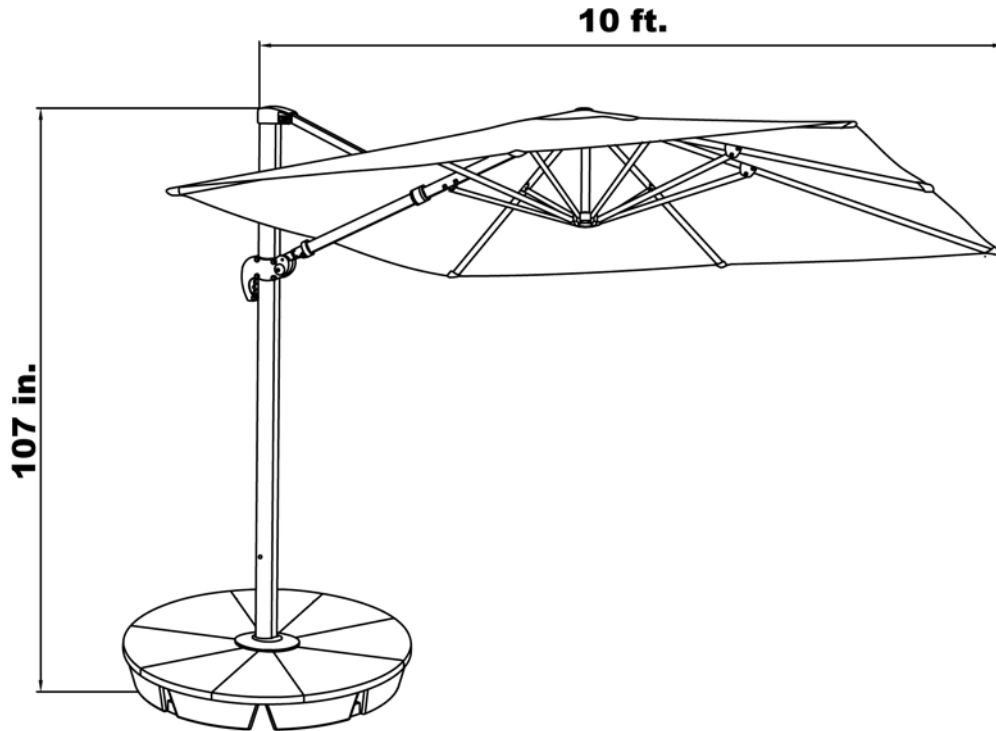


SANTORINI II SPECS



NU6015-NU6190

Size: 10 ft. x 10 ft.

Shape: Square

Height: 107 in.

Pole Diameter: 3.03 in. x 2.1 in.

Rib: 8-14 x 24 mm

Open: Crank

Tilt: Tilt & Lock Feature

Weight: 57.32 lbs.

Base: WT: 20.5 lbs.