

BRUTE

FORCE™

Powerful & Intelligent Submersible Pumps



NW2256 (mfr. AC 22365)

- 1/3 HP Motor
- Capacity is **1250 gallons per hour**
- Adjustable Automatic or Manual Operating Switch
- Assorted adapter fittings including garden hose adapter
- 33' power cord
- Optional Base Available



NW2258 (mfr AC 58720)

- 2/3 HP Motor
- Capacity is **2450 gallons per hour**
- Adjustable Automatic or Manual Operating Switch
- Assorted adapter fittings including garden hose adapter
- 33' power cord
- Optional Base Available



NW2254 (mfr AC 20818)

- 1/3 HP Motor
- Capacity is **1250 gallons per hour**
- Manual operation
- Assorted adapter fittings including garden hose adapter
- 33' power cord



AC 45373

- 2/3 HP Motor
- Capacity is **2450 gallons per hour**
- Manual operation
- Assorted adapter fittings including garden hose adapter
- 33' power cord

WARRANTY

Your **BRUTE FORCE** submersible pump is guaranteed to be in perfect condition when it leaves our factory. It is warranted against defective materials and workmanship for a period of **12 months** from the date of purchase by the user.

Any pump that should fail for either of above two reasons and is still within the warranty period will be repaired or replaced at the option of **BRUTE FORCE PUMPS** as the sole remedy of the buyer.

All defective product returned under warranty will be fully inspected to determine the cause of failure before warranty is approved. Defective product can be returned to an authorized **BRUTE FORCE DEALER** with a brief explanation of the problem. If there is no apparent signs of customer abuse the unit may be repaired, replaced or returned to the factory for warranty inspection. Any and all freight charges incurred in returning the unit to the factory is the sole responsibility of the purchaser.

DISCLAIMER: THE FOREGOING WARRANTY IS AN EXCLUSIVE WARRANTY IN LIEU OF ANY OTHER EXPRESS WARRANTIES. ANY IMPLIED WARRANTIES (INCLUDING BUT NOT LIMITED TO ANY IMPLIED WARRANTY OF MERCHANTABILITY OR FITNESS FOR A PARTICULAR PURPOSE) TO THE EXTENT EITHER IMPLIES TO A PUMP SHALL BE LIMITED IN DURATION TO THE PERIODS OF THE EXPRESS WARRANTIES GIVEN ABOVE.

SUBMERSIBLE PUMP UNIVERSAL INSTRUCTION MANUAL

Congratulations on your purchase of a **BRUTE FORCE** submersible pump. Your **BRUTE FORCE** pump has been manufactured to the highest standards of workmanship and materials. It has been engineered to give you many years of exceptional performance. This instruction manual is designed to cover all models of **BRUTE FORCE** pumps and not all features are applicable to all pumps.

This manual is applicable to other models in the **BRUTE FORCE** series not listed by model number in the replacement parts section of this manual. Caution should be exercised when ordering replacement parts. Always give the model number of your pump when ordering replacement parts.

Your **BRUTE FORCE** pump has been carefully packaged inspected and factory tested to insure safe operation and that the pump performs as well for you as it did in the factory. Your **BRUTE FORCE** pump housing is constructed of durable polymer material. The housing provides protective shield for the motor. **UNDER NO CIRCUMSTANCES SHOULD YOU OPEN THE CASE AND EXPOSE THE MOTOR. IF THE CASE IS OPENED, THEN THE WARRANTY EXPRESSED IN THIS MANUAL WILL BE VOID.**

Read all instructions carefully before attempting to install operate or service the **BRUTE FORCE** pump. Know the pump application, limitations and potential hazards, protect yourself and others by observing all safety information. Failure to comply with instructions could result in personal injury and / or property damage! Retain this manual for future reference.

SAFETY GUIDELINES WARNING

1. Make sure that the **BRUTE FORCE** pump is disconnected from the power source before attempting to service or remove any component.
2. Do not use to pump flammable liquids or explosive fluids such as gasoline, fuel oil, kerosene, etc. Do not use in explosive atmospheres. Pump should **ONLY** be used with liquids compatible with pump component materials.
3. Do not handle pump with wet hands or when standing on a wet or damp surface or in water.
4. Your **BRUTE FORCE** pumps is supplied with a grounding conductor and/or grounding-type attachment plug. To reduce the risk of electric shock, be certain that it is connected to a properly grounded grounding-type receptacle.
5. In any installation where property damage and/or personal injury might result from an inoperative or leaking pump due to power outages, discharge line blockage, or any other reason, a backup system(s) and /or alarm should be used.
6. Support your **BRUTE FORCE** pump and piping when assembling and when installed. Failure to do so may cause pipe to break, pump to fail, motor bearing failures, etc.

ELECTRICAL CONNECTION WARNING

1. Check your **BRUTE FORCE** pump label for proper voltage required. Do not connect to voltage other than that shown. The pump can be connected to any shock proof plug (ground fault interrupter circuit) which has been installed according to electrical code. The plug must have a supply voltage of 110V-60 Hz and a circuit of a minimum of 6 amps.
2. When the **BRUTE FORCE** pump is to be used near swimming pools or garden ponds and in their area the power supply must be equipped with a ground –fault interrupter circuit with a nominal trip current of a maximum of .30mA. The pump must not be operated while people are in the swimming pool or in the garden pond. Consult your electrician.
3. Your **BRUTE FORCE** pump is supplied with a 3-prong electrical plug, the third prong is to ground the pump to prevent possible shock hazard. **DO NOT REMOVE** the third prong. A separate branch circuit is recommended. **DO NOT** use an extension cord. Do not cut the plug from the cord. If the plug is cut or the cord shortened, then this action will void the warranty.
4. The electrical connection must be protected from moisture.

PUMP OPERATION WARNING

1. Your **BRUTE FORCE** pump cannot be operated in water with a temperature in excess of 122 degrees Fahrenheit.
2. Place pump in water at least 3/4 inch deep to begin pumping. Pump should be totally submerged for proper cooling of the motor when the pump is operated for extended periods.
3. If you purchased a **BRUTE FORCE** pump that is equipped with an adjustable “go flow” high water sensor, the pump will automatically turn on once the internal sensor detect water at the level you have selected. The pump will automatically turn off once the water level has gone below the selected height of the “no flow” setting you have selected. Always select a higher level for “go flow” setting than the “no flow” setting. This will help prevent the pump from running dry and voiding the warranty. Never set the “go Flow” and “no flow” at the same level, this will cause the pump to run dry and void the warranty.
4. If your **BRUTE FORCE** pump is not equipped with the smart flow sensor it must be turned on and off manually. Care must be taken to not let the pump run dry. (without fluid) The pump is designed to be cooled by pumping fluid. Seal damage, bearing damage and motor failure can result if the pump is allowed to run dry.
5. When first starting your **BRUTE FORCE** pump you should run water into the pump until the pump starts. Allow the pump to operate through several on/off cycles.

6. If the pump is going to be idle for period of time, follow the cleaning instructions outlined in this manual. Do not let the pump freeze in winter time. This may cause cracking or distortion that may destroy the pump and void the warranty.
7. When using a 3/4 inch garden hose as piping you can expect a 20% reduction in the pumps performance. It is highly recommended that a discharge / backwash hose of 1-1/4 inch diameter or **LARGER** is used as piping from the pump to allow for maximum GPH flow. (available from your **BRUTE FORCE** retailer)

SERVICE INSTRUCTIONS WARNING

**MAKE SURE THE PUMP IS DISCONNECTED
FROM THE POWER SOURCE BEFORE ATTEMPTING
TO SERVICE OR CLEAN THE PUMP!**

1. The motor housing of your **BRUTE FORCE** pump is completely sealed and requires no service. Disassembly of the motor housing or alteration of the power cord voids all warranty.
2. Your **BRUTE FORCE** pumps should be cleaned out with fresh, clean water after every use.

AUTOMATIC ON/OFF SENSORS

SMART GO-FLOW NO-FLOW SYSTEM™

The BRUTE FORCE Go Flow / No Flow

The BRUTE FORCE Go Flow / No Flow pump is the most versatile submersible pump available. This pump is completely submersible and can be used to maintain a specific water level or it can be used to eliminate excess water.

The pump is equipped with an adjustable **GO FLOW** high water sensor that will automatically activate the pump when the sensor detects water. There is an adjustable **NO FLOW** low water sensor that will shut the pump off when the desired water level is achieved.

- All sensors are easily adjusted by hand
- Easily adapts to standard garden hose
- There is an assortment of fittings included for a wide variety of applications
- The power supply cord is 32' in length

Perfect For:

- ▶ Pools
- ▶ Garden Ponds
- ▶ Basements
- ▶ Pool Covers
- ▶ Home Floods
- ▶ Garages
- ▶ Spas
- ▶ RV's



PATENT PENDING

GO-FLOW

Set the "Green-**GO FLOW**" Marker to the desired High Water level and the Automatic Switch System will power up the BRUTE FORCE Pump and will start the water flowing.

NO-FLOW

Set the "Red-**NO FLOW**" Marker to the desired Low Water level and the Automatic Switch System will power down the BRUTE FORCE Pump and will stop the water from flowing.



Model AC 22365

GETTING STARTED

AC 22365 — AC 58270

Follow this simple instruction to begin the operation of your **BRUTE FORCE** submersible pump. Be sure to read all the instructions and warnings before you begin the operation of the pump to help prevent personal injury or property damage.

1. Thread the universal elbow connector into the pump. Both ends are the same so either end can be connected to the pump. Make sure the rubber O-ring is in place on the elbow prior to assembly.
2. Thread the hose adapter fitting onto the connector elbow.
3. Attach the desired discharge hose (sold separately) to the hose adapter fitting.
4. Set the release end of the discharge hose to the area you want to move the unwanted water. Be sure to check the area for possible damage/flooding before you begin pump operation.
5. Set the green “**GO FLOW**” level indicator to the desired level of water you want for automatic activation of your pump. This is the height you want the water to reach before the pump switches on. Once the water reaches the set level the pump will start and continue until the water level decreases to the level set on the red “**NO FLOW**” indicator.
6. Set the red “**NO FLOW**” indicator to the water height you want to pump to automatically turn off (stop pumping) Once the water level reaches the height set on the “**NO FLOW**” setting and turns off, it will not turn on again until the water reaches the level set on the “**GO FLOW**” indicator.
7. **Note:** Do not set the red (No Flow) and green (Go Flow) indicators too closely. This will result in the pump not functioning properly as well as running dry. If this happens the motor will overheat and void your warranty.
8. Place your **BRUTE FORCE** pump in its desired location. Always use the carry handle to transport your pump. **NEVER** carry your pump by the cord or hose connection.
9. Plug the cord into an approved electrical outlet (as outlined in this manual) and begin operation.
10. It is recommended that you use the **UNIVERSAL PUMP BASE** for your **BRUTE FORCE** pump when you use the pump for removing excess water from a swimming pool cover. It snaps on and increases the pumps stability and performance.

BRUTE FORCE™

Submersible Pumps



BRUTE FORCE Submersible Pumps are specifically engineered to handle the tough demanding tasks of removing excess water from swimming pools, swimming pool covers spas, fountains, basements or any other area with excess accumulated water. Built to operate with high efficiency and offer long term dependability.

BRUTE FORCE PUMPS are the solution when you need to move water quickly and easily.

Perfect For:

- ▶ Pools
- ▶ Garden Ponds
- ▶ Basements
- ▶ Pool Covers
- ▶ Home Floods
- ▶ Garages
- ▶ Spas
- ▶ RV's



Model AC 20818

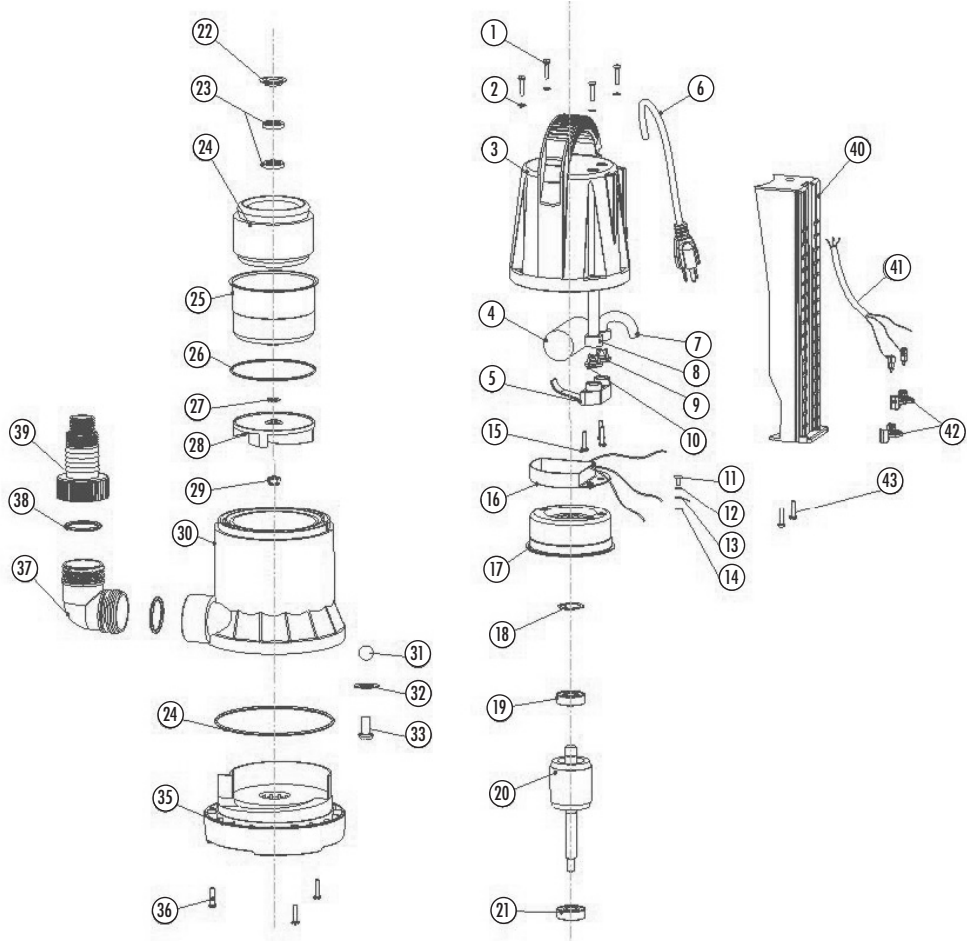
GETTING STARTED

AC 20818 — AC 45373

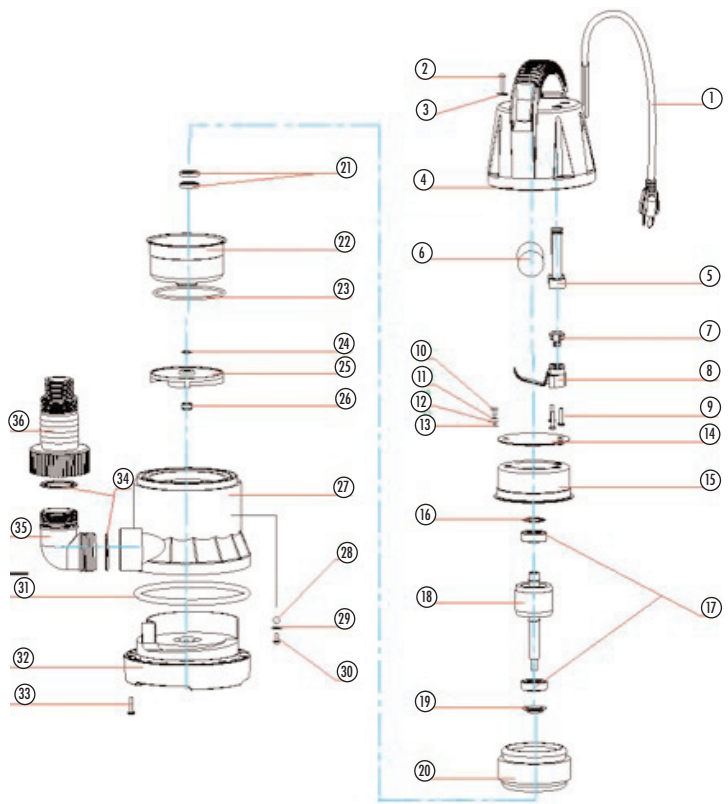
Follow this simple instruction to begin the operation of your **BRUTE FORCE** submersible pump. Be sure to read all the instructions and warnings before you begin the operation of the pump to help prevent personal injury or property damage.

1. Thread the universal elbow connector into the pump. Both ends are the same so either end can be connected to the pump. Make sure the rubber O-ring is in place on the elbow prior to assembly.
2. Thread the hose adapter fitting onto the connector elbow.
3. Attach the desired discharge hose (sold separately) to the hose adapter fitting.
4. Set the release end of the discharge hose to the area you want to move the unwanted water. Be sure to check the area for possible damage/flooding before you begin pump operation.
5. Place your **BRUTE FORCE** pump in its desired location. Always use the carry handle to transport your pump. **NEVER** carry your pump by the cord or hose connection.
6. Plug the cord into an approved electrical outlet (as outlined in this manual) and begin operation.
7. Your pump is not equipped with a smart flow sensor and will not turn off or on automatically. You **MUST** check on your pump periodically to insure there is at least 3/4 of an inch of water under to pump at all times. When water level reaches less than 3/4 of an inch the pump must be unplugged and removed from service. Failure to do so can result in the pump running dry, overheating and pump failure. Running the pump dry will void the warranty.
8. It is recommended that you use the universal pump base for your **BRUTE FORCE** pump when you use the pump for removing excess water from a swimming pool cover. It snaps on and increases the pumps stability and performance.

AC 22365 AC 58270 EXPLODED VIEW



AC 20818 AC 45373 EXPLODED VIEW



WARNING:

Diagram is for Authorized Service Technician only. Customer is not to open pump, doing so will void warranty

AC 22365 AC 58270 EXPLODED VIEW

ITEM No. IN EXPLODED VIEW	DESCRIPTION
1	SCREW
2	WASHER
3	CAPACITOR COVER
4	CAPACITOR
5	CABLE IMPACTING
6	CABLE
7	CABLE CASING
8	CABLE CASING
9	CABLE IMPACTING
10	CABLE IMPACTING
11	SCREW
12	WASHER
13	WASHER
14	WASHER
15	SCREW
16	CIRCUIT CARD
17	MOTOR COVER
18	WASHER
19	BEARING
20	ROTOR
21	BEARING
22	WASHER
23	OIL SEAL
24	STATOR
25	MOTOR COVER
26	"O" RING
27	WASHER
28	IMPELLER
29	NUT
30	MOTOR CASING
31	STEEL BALL
32	WASHER
33	NUT
34	"O" RING
35	BASE
36	NUT
37	SCREW
38	"O" RING
39	OUTLET
40	SIDE COVER
41	SIGNAL CABLE
42	TOUCH POINT
43	NUT

AC 20818 AC 45373 EXPLODED VIEW

ITEM No. IN EXPLODED VIEW	DESCRIPTION
1	CABLE
2	SCREW
3	WASHER
4	CAPACITOR COVER
5	CABLE CASING
6	CAPACITOR
7	CABLE IMPACTING
8	CABLE IMPACTING
9	SCREW
10	SCREW
11	WASHER
12	WASHER
13	WASHER
14	INSULATED BOARD
15	MOTOR COVER
16	WASHER
17	BEARING
18	ROTOR
19	WASHER
20	STATOR
21	OIL SEAL
22	MOTOR COVER
23	"O" RING
24	WASHER
25	IMPELLER
26	NUT
27	MOTOR CASING
28	STEEL BALL
29	WASHER
30	NUT
31	"O" RING
32	BASE
33	NUT
34	"O" RING
35	SCREW
36	OUTLET

SUBMERSIBLE PUMP STABILIZING UNIVERSAL BASE

NW2255 (mfr AC 77403)

UNIVERSAL PUMP BASE FOR USE WITH SOLID POOL COVERS



- **FITS ALL BRUTE FORCE PUMPS**

FEATURES



- Easy Snap on design
- Removable
- Increases stability
- Curved Bottom for Uneven Surfaces
- Multiple Inlet Openings