

Pool Breakdown

Zanzibar 15'x25' Oval 54" NB2725

<p><u>FEATURES:</u> Oval Size: 15'x25' Depth: 54" 30 Year Warranty</p>	<p><u>STRUCTURE COMPOSITION:</u> Resin Top Rail Resin Seat Covers Steel Uprights Steel sidewall</p>
---	--

	Qty	Carton #	Carton Content Description
<input type="checkbox"/>	1	251554-SNS-W	ZANZIBAR - PLASTIC EDGING; TRUSS HEAD SCREW; REINFORCING WASHER; NUT; WALL
<input type="checkbox"/>	1	2515-5/8RAIL-2	ZANZIBAR - 5/8" RAIL
<input type="checkbox"/>	1	251554-8RV-EX-2	ZANZIBAR - TOP SEAT; VERTICAL; WARRANTY; SAFETY DECALS; PARTS LIST+FRAME INSTRUCTION; SAFETY BOOKLET
<input type="checkbox"/>	1	2515-8PR-EX-3	ZANZIBAR – UPPER JOINT; LOWER JOINT; SEAT COVER; SEAT COVER BRACKET; SIDE SEAT COVER; SIDE UPPER JOINT; 5/8 IN SIDE LOWER JOINT; SEAT COVER ASSEMBLY BOLT PKG
<input type="checkbox"/>	1	2515-BL08-EX-A	HORIZONTAL SUPPORT; PRESSURE PLATE; BRACELESS OVAL FRAME BOLT PACKAGE; STRAP BOLT PACKAGE; BRACESS OVAL POOL INSTRUCTIONS
<input type="checkbox"/>	1	251554-BL08-EX-B	SIDE VERTICAL; SIDE VERTICAL SKIN; END STRAP; MIDDLE STRAP

Carton Breakdown

Zanzibar 15'x25' Oval 54"

NB2725

Key #	Qty	Part #	Order #	Part Description	
WALL CARTON # 251554-SNS-W					
<input type="checkbox"/>	9	1	54" Wall	-----	54" Steel Sunset Gray Wall
<input type="checkbox"/>	5	16	8100	-----	Plastic Edging
<input type="checkbox"/>	---	1	0114	NBP1067	54" WALL JOINT BOLT PACKAGE
			*0513	-----	¼" X ½" Truss Head Screw (27)
			*0411	-----	¼ Reinforcing Washer (53)
			*0611	-----	¼" Nut (27)
RAIL FRAME CARTON # 2515-5/8RAIL-2					
<input type="checkbox"/>	4	28	1615	NBP1025	5/8" Rail L=1431mm (56 3/8")
FRAME CARTON # 251554-8RV-EX-2					
<input type="checkbox"/>	6	14	1100	NBP1201	8in Top Seat L=1444mm(56 7/8")
<input type="checkbox"/>	1	10	2385	NBP1202	8in Vertical (54" High)
<input type="checkbox"/>	---	1	0022	-----	Warranty
<input type="checkbox"/>	---	1	0023	-----	Safety Decals
<input type="checkbox"/>	---	1	0024	-----	Parts List + Frame Instruction
<input type="checkbox"/>	---	1	0025	-----	Safety Booklet
FRAME CARTON # 2515-8P-EX-3					
<input type="checkbox"/>	2	10	2176	NBP1061	Resin Upper Joint
<input type="checkbox"/>	10	10	2276	NBP1062	Resin Lower Joint
<input type="checkbox"/>	8	10	2482	NBP1046	8 in Seat Cover
<input type="checkbox"/>	7	10	2483	NBP1047	8 in Seat Cover Bracket
<input type="checkbox"/>	13	4	3474	NBP1048	8 in Side Seat Cover
<input type="checkbox"/>	18	4	3177	NBP1004	Resin Side Upper Joint
<input type="checkbox"/>	15	4	3233	NBP1031	5/8 in Side Lower Rail Joint
<input type="checkbox"/>	3	1	-----	NBP1203	SEAT COVER ASSEMBLY BOLT PACKAGE
			*0341	-----	#12 Sheet Metal Screw (138)
			*0345	-----	5mm x 40mm Sheet Metal Screw (14)
			*2402	-----	Seat Cover Cap (14)

*These part #'s are not available to purchase separately. They must be purchased as part of the corresponding Bolt Package.

Carton Breakdown

Zanzibar 15'x25' Oval 54"

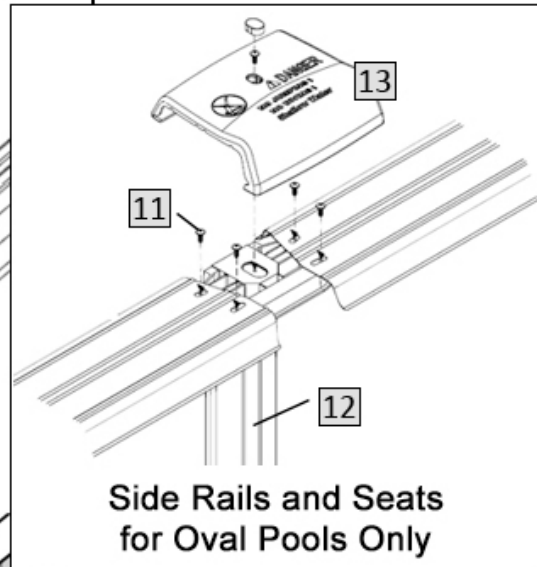
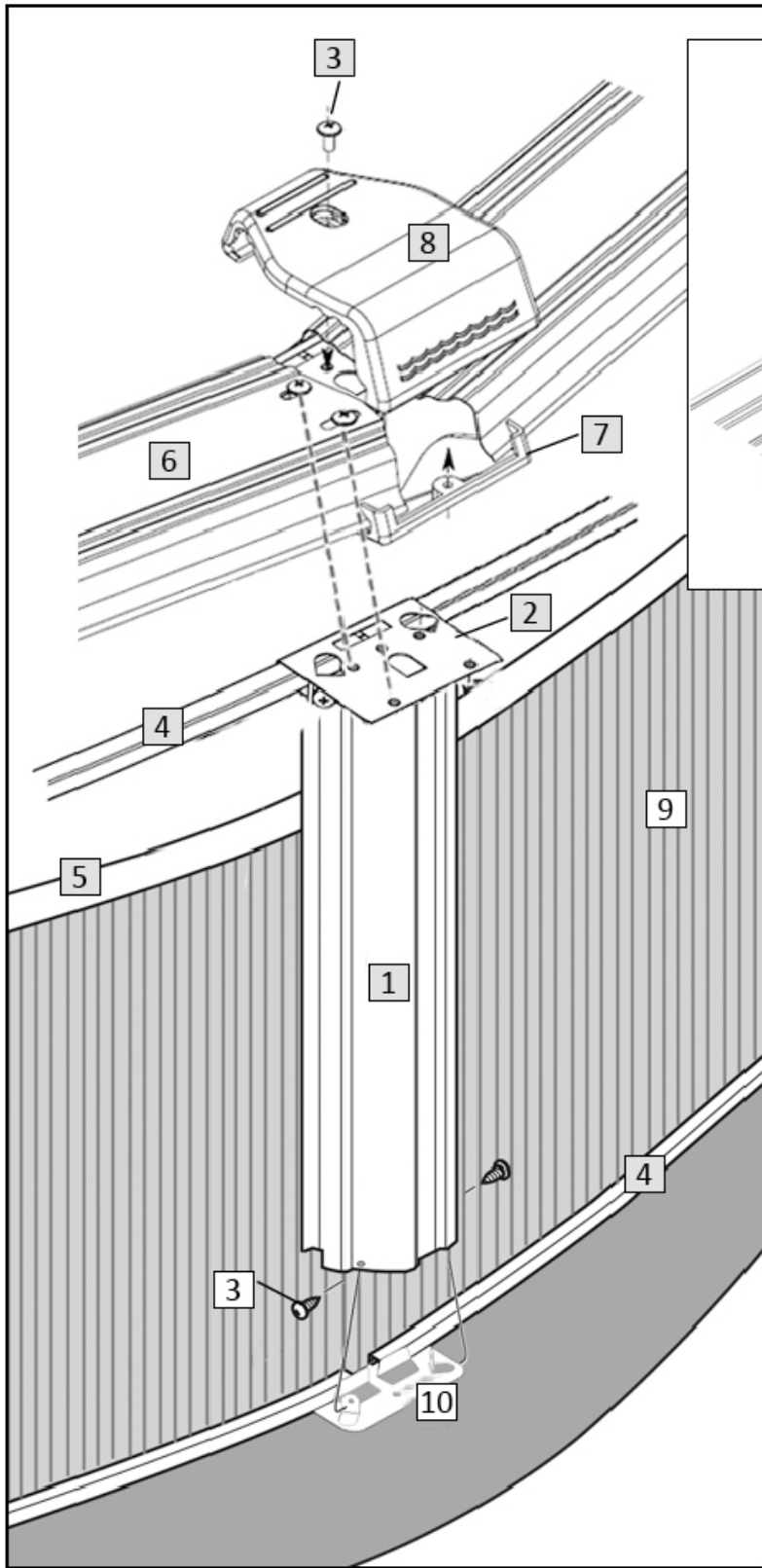
NB2725

Key #	Qty	Part #	Order #	Part Description	
CARTON # 2515-BL08-EX-A					
<input type="checkbox"/>	14	4	5726	NBP1208	Horizontal Support
<input type="checkbox"/>	17	12	6254	NBP1011	Pressure Plate L=680mm (26-3/4")
<input type="checkbox"/>	---	1	-----	-----	Braceless Oval Pool Instructions
<input type="checkbox"/>	11	2	0109	NBP1204	BRACELESS OVAL FRAME BOLT PACKAGE
			*5673	-----	M14 x 30 Hex Head Bolt (24)
			*5672	-----	M14 Nut (24)
			*5674	-----	M10 x 100 Hex Head Bolt (8)
			*5675	-----	M10 Nut (24)
			*0341	-----	#12 Sheet Metal Screw (10)
<input type="checkbox"/>	11	2	0106	NBP1002	STRAP BOLT PACKAGE
			*0623	-----	M8 Nut (27)
			*0923	-----	M8 x 20 Hex Head Bolt (27)
CARTON # 251554-BL08-EX-B					
<input type="checkbox"/>	12	4	5713	NBP1205	Side Vertical for 54"
<input type="checkbox"/>	12	4	5617	NBP1206	Side Vertical Skin for 54"
<input type="checkbox"/>	16	4	7528	NBP1207	End Strap L=1400mm (55-1/8")
<input type="checkbox"/>	16	4	7244	NBP1013	Middle Strap L=929mm (36-5/8")

*These part #'s are not available to purchase separately. They must be purchased as part of the corresponding Bolt Package.

Zanzibar 15'x25' Oval 54"

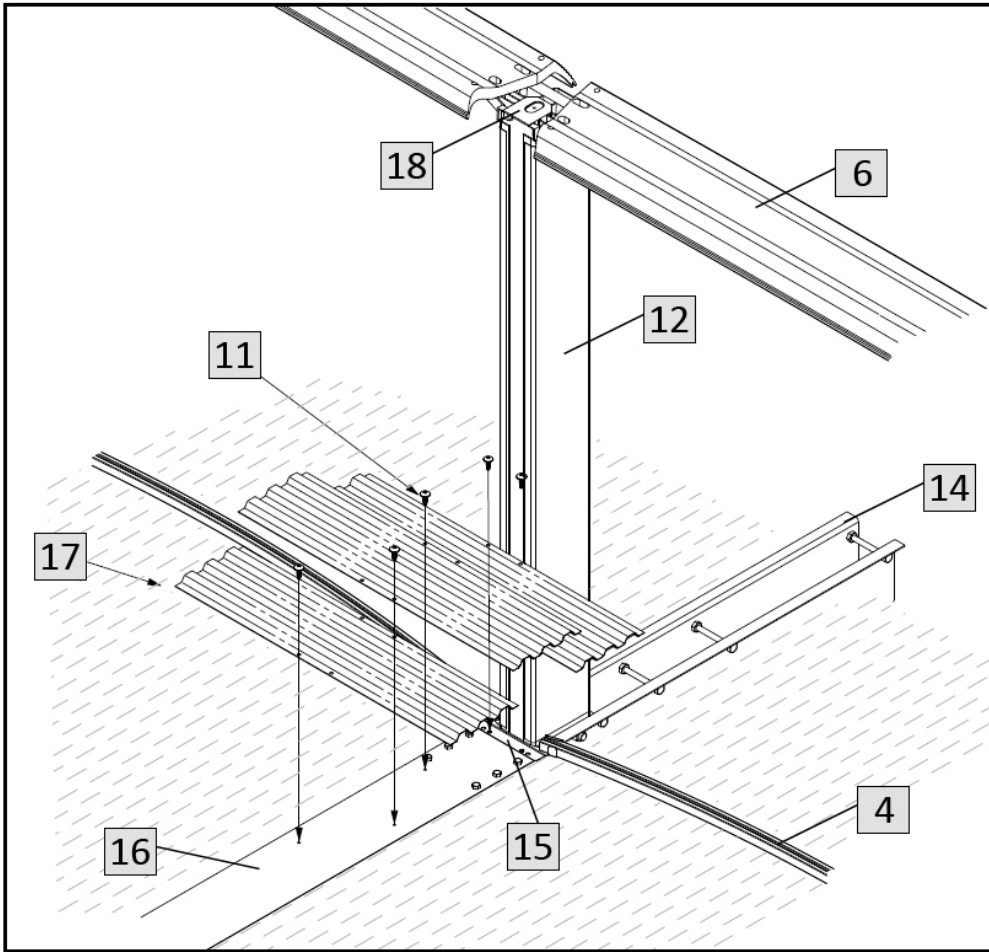
NB2725



Key #	Part Description
1	8 in Vertical
2	Resin Upper Joint
3	Seat Cover Assembly Bolt Pkg Hardware
4	5/8" Rail
5	Plastic Edging
6	8 in Top Seat
7	8 in Seat Cover Bracket
8	8 in Seat Cover
9	Wall
10	Resin Lower Joint
11	Braceless Oval Frame Bolt Hardware
12	8 in Side Vertical & Vertical Skin
13	8 in Side Seat Cover

Zanzibar 15'x25' Oval 54"

NB2725



Key #	Part Description
4	5/8 in Rail
6	8 in Top seat
11	Braceless Oval Frame Bolt Hardware
12	8 in Side Vertical & Vertical Skin
14	Horizontal Support
15	Side Lower Rail Joint
16	Strap (middle/end)
17	Pressure Plate
18	Resin Side Upper Joint